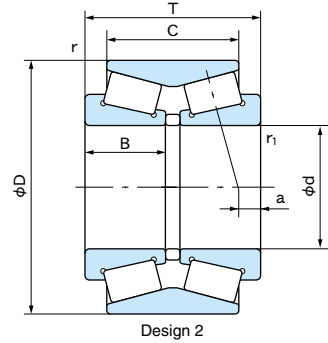
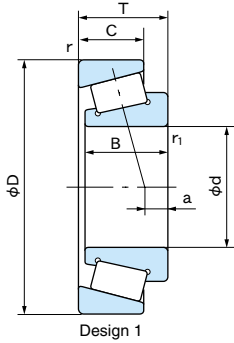


Bearings for Gearwheel



1N=0.102 kgf

Bearing No.	Design No.	Boundary dimensions (mm)						Load center (mm)		Basic dynamic load rating Cr (N)	Basic static load rating Cor (N)	Mass (kg) Reference	
		d	D	T	C	B	r	r ₁	a ⁽¹⁾				e
32936ED	1	180	250	45	34	45	2	2.5	-3.7	0.39	325000	620000	
QT1	2	190	280	110	85	46	1	4	-23.0	0.67	575000	1170000	23
32038ED	1	190	290	64	48	64	2.5	3	2.4	0.37	550000	955000	14
QT6	2	190	300	110	85	46	1	4	-26.5	0.67	670000	1260000	27
QT29	1	193.675	282.575	50.8	36.513	47.625	2.5	3	-4.3	0.42	345000	605000	11
QT26	1	195	280	58	41	60	3.5	3.5	4.4	0.37	410000	745000	11
QT25	1	200	280	51	41	48	2.5	3	-3.6	0.37	345000	680000	10
32940ED	1	200	280	51	41	48	2.5	3	-3.6	0.37	345000	680000	10
QT13	2	200	290	110	85	46	1	4	-26.5	0.67	605000	1280000	21
QT28	2	202.5	290	110	85	46	0.6	4	-27.3	0.67	605000	1270000	21
QT33	1	205	283	51	41	48	2.5	3	-3.6	0.37	355000	695000	10
QT5	1	210	320	70	56	66	3.5	3.5	2.5	0.40	630000	1110000	19
QT24	1	210	320	70	56	75	3.5	3.5	2.5	0.40	630000	1110000	20
QT19	1	214	330	70	56	70	3.5	3.5	1.5	0.40	670000	1190000	21
QT32	1	218	315	65	49	70	2.5	3	4.1	0.37	605000	1180000	16

Note: (1) Minus value of load center indicates center is outside cone backface.

