

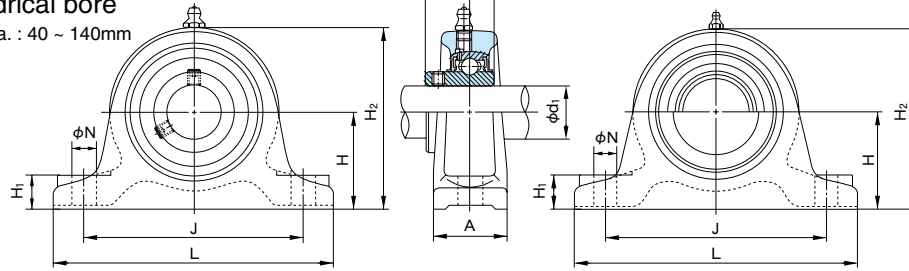
## Pillow Block Units

### UCIP type

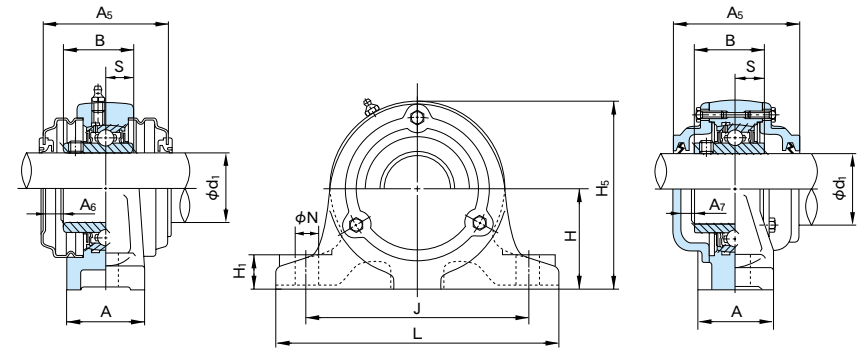
With set screws

Cylindrical bore

Shaft dia. : 40 ~ 140mm



With steel covers



With cast covers

Shaft dia. d <sub>1</sub> (mm)	Unit No.	Boundary dimensions (mm)															Bolt size		Bearings		Housing No.	Unit No. with steel covers		Unit No. with cast covers		Mass of Unit (kg)		
		H	L	A	J	N	H <sub>1</sub>	H <sub>2</sub>	H <sub>5</sub>	B	S	A <sub>4</sub>	A <sub>5</sub>	A <sub>6</sub>	A <sub>7</sub>	No.	Basic load rating (N)		Covers with rubber seal (End cover on one side)	Covers with rubber seal (End cover on one side)		standard	with steel cover	with cast cover				
																	Cr	Cor										
40	UCIP208	60	200	60	150	19	25	115	115	49.2	19	86	90	12	8	M16	UC208	29300	17900	IP208	UCIP208C(E)	CUCIP208C(CE)	3.6	3.8	4.0			
45	UCIP209	70	210	60	160	19	25	128	130	49.2	19	92	90	15	8	M16	UC209	33000	20500	IP209	UCIP209C(E)	CUCIP209C(CE)	3.8	4.1	4.5			
50	UCIP210	70	220	60	170	19	28	132	133	51.6	19	92	98	12	10	M16	UC210	35500	23200	IP210	UCIP210C(E)	CUCIP210C(CE)	4.4	4.7	5.0			
55	UCIP211	80	230	60	180	19	28	148	150	55.6	22.2	97	100	14	10	M16	UC211	43000	29400	IP211	UCIP211C(E)	CUCIP211C(CE)	5.5	5.8	6.2			
60	UCIP212	80	260	70	200	22	30	155	155	65.1	25.4	113	114	15	11	M20	UC212	52500	36100	IP212	UCIP212C(E)	CUCIP212C(CE)	5.9	6.3	8.0			
65	UCIP213	90	280	70	220	22	30	172	172	65.1	25.4	111	118	14	13	M20	UC213	57500	40000	IP213	UCIP213C(E)	CUCIP213C(CE)	7.5	8.0	10.1			
	UCIP313	110	310	70	250	22	30	208	208	75	30	-	140	-	17	M20	UC313	92500	59700	IP313	-	CUCIP313C(CE)	12.4	-	16.5			
70	UCIP314	110	330	75	270	25	35	215	215	78	33	-	140	-	17	M22	UC314	104000	68000	IP314	-	CUCIP314C(CE)	14.9	-	19.2			
75	UCIP315	120	340	75	280	25	35	230	230	82	32	-	150	-	17	M22	UC315	114000	76900	IP315	-	CUCIP315C(CE)	16.2	-	21.8			
80	UCIP316	120	350	85	290	25	40	235	235	86	34	-	154	-	17	M22	UC316	123000	86400	IP316	-	CUCIP316C(CE)	20.8	-	24.8			
85	UCIP317	130	370	85	310	25	40	255	255	96	40	-	164	-	18	M22	UC317	132000	96500	IP317	-	CUCIP317C(CE)	23.1	-	29.4			
90	UCIP318	130	400	85	330	29	45	260	260	96	40	-	168	-	20	M24	UC318	143000	107200	IP318	-	CUCIP318C(CE)	25.7	-	33.2			
95	UCIP319	150	410	85	340	29	45	285	285	103	41	-	180	-	20	M24	UC319	153000	118400	IP319	-	CUCIP319C(CE)	29.7	-	38.5			
100	UCIP320	150	430	85	360	29	45	295	295	108	42	-	190	-	21	M24	UC320	173000	140400	IP320	-	CUCIP320C(CE)	33.4	-	44.2			
110	UCIP322	170	490	100	410	32	50	335	335	117	46	-	210	-	26	M27	UC322	205000	178800	IP322	-	CUCIP322C(CE)	50.4	-	61.2			
120	UCIP324	170	510	100	430	32	50	345	345	126	51	-	220	-	25	M27	UC324	207000	184800	IP324	-	CUCIP324C(CE)	56.8	-	72.3			
130	UCIP326	200	550	110	470	32	50	390	390	135	54	-	230	-	24	M27	UC326	229000	214300	IP326	-	CUCIP326C(CE)	73.2	-	94.3			
140	UCIP328	200	590	110	500	35	55	400	400	145	59	-	240	-	24	M30	UC328	255000	246000	IP328	-	CUCIP328C(CE)	83.5	-	105			

Remarks (1): Grease nipple :

1/4-28UNF for bore number 13 and under  
PF1/8 for bore number 14 and over

Remarks (2): Examples of number of units with covers:

With steel cover { Covers with rubber seal on both sides : UCP210C  
An end cover and a cover with rubber seal : UCP210E

With cast cover { Covers with rubber seal on both sides : CUCP210C  
An end cover and a cover with rubber seal : CUCP210CE