

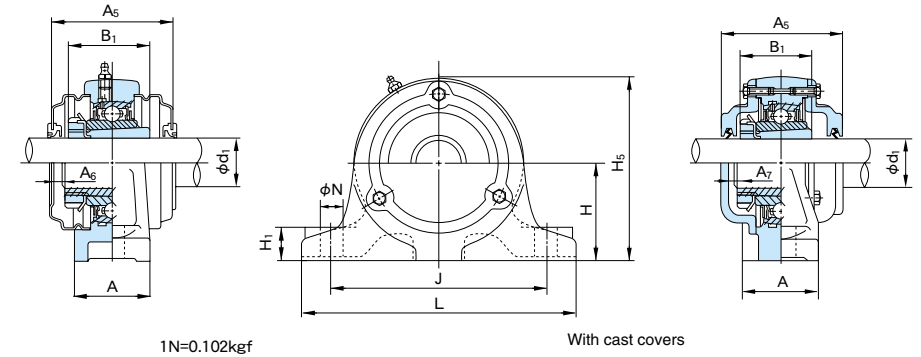
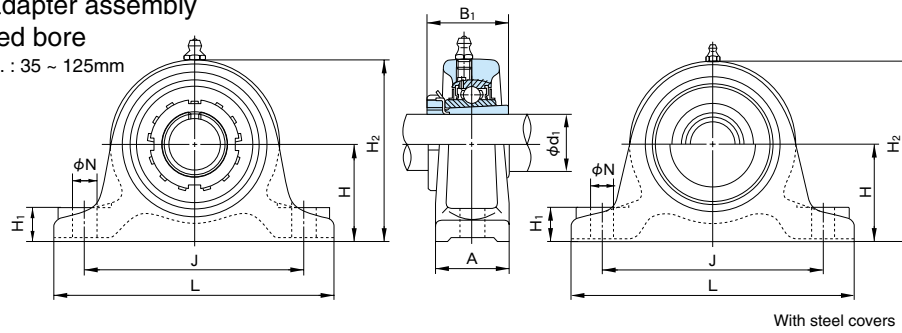
## Pillow Block Units

### UKIP+H type

With adapter assembly

Tapered bore

Shaft dia. : 35 ~ 125mm



Shaft dia. d <sub>1</sub> (mm)	Unit No.	Boundary dimensions (mm)													Bolt size	Bearings		Housing No.	Unit No. with steel covers		Unit No. with cast covers		Mass of Unit (kg)		
		H	L	A	J	N	H <sub>1</sub>	H <sub>2</sub>	H <sub>5</sub>	B <sub>1</sub>	A <sub>4</sub>	A <sub>5</sub>	A <sub>6</sub>	A <sub>7</sub>		No.	Basic load rating (N)		Covers with rubber seal (End cover on one side)	Covers with rubber seal (End cover on one side)	standard	with steel cover	with cast cover		
		Cr	Cor																						
35	UKIP208+H2308	60	200	60	150	19	25	115	115	46	86	90	17	14	M16	UK208+H2308	29300	17900	IP208	UKIP208C(E)+H2308	CUKIP208C(CE)+H2308	3.7	3.9	4.1	
40	UKIP209+H2309	70	210	60	160	19	25	128	130	50	92	90	19	13	M16	UK209+H2309	33000	20500	IP209	UKIP209C(E)+H2309	CUKIP209C(CE)+H2309	3.9	4.2	4.7	
45	UKIP210+H2310	70	220	60	170	19	28	132	133	55	92	98	17	15	M16	UK210+H2310	35500	23200	IP210	UKIP210C(E)+H2310	CUKIP210C(CE)+H2310	4.6	4.9	5.2	
50	UKIP211+H2311	80	230	60	180	19	28	148	150	59	97	100	19	15	M16	UK211+H2311	43000	29400	IP211	UKIP211C(E)+H2311	CUKIP211C(CE)+H2311	5.6	6.0	6.4	
55	UKIP212+H2312	80	260	70	200	22	30	155	155	62	113	114	24	20	M20	UK212+H2312	52500	36100	IP212	UKIP212C(E)+H2312	CUKIP212C(CE)+H2312	5.9	6.4	8.2	
60	UKIP213+H2313	90	280	70	220	22	30	172	172	65	111	118	21	20	M20	UK213+H2313	57500	40000	IP213	UKIP213C(E)+H2313	CUKIP213C(CE)+H2313	7.7	8.2	10.4	
	UKIP313+H2313	110	310	70	250	22	30	208	208	65	—	140	—	24	M20	UK313+H2313	92500	59700	IP313	—	CUKIP313C(CE)+H2313	12.4	—	16.5	
65	UKIP315+H2315	120	340	75	280	25	35	230	230	73	—	150	—	25	M22	UK315+H2315	114000	76900	IP315	—	CUKIP315C(CE)+H2315	16.3	—	22.2	
70	UKIP316+H2316	120	350	85	290	25	40	235	235	78	—	154	—	23	M22	UK316+H2316	123000	86400	IP316	—	CUKIP316C(CE)+H2316	21.0	—	25.2	
75	UKIP317+H2317	130	370	85	310	25	40	255	255	82	—	164	—	26	M22	UK317+H2317	132000	96500	IP317	—	CUKIP317C(CE)+H2317	23.1	—	29.6	
80	UKIP318+H2318	130	400	85	330	29	45	260	260	86	—	168	—	26	M24	UK318+H2318	143000	107200	IP318	—	CUKIP318C(CE)+H2318	25.9	—	34.2	
85	UKIP319+H2319	150	410	85	340	29	45	285	285	90	—	180	—	30	M24	UK319+H2319	153000	118400	IP319	—	CUKIP319C(CE)+H2319	29.7	—	38.7	
90	UKIP320+H2320	150	430	85	360	29	45	295	295	97	—	190	—	31	M24	UK320+H2320	173000	140400	IP320	—	CUKIP320C(CE)+H2320	33.4	—	44.8	
100	UKIP322+H2322	170	490	100	410	32	50	335	335	105	—	210	—	36	M27	UK322+H2322	205000	178800	IP322	—	CUKIP322C(CE)+H2322	50.5	—	61.9	
110	UKIP324+H2324	170	510	100	430	32	50	345	345	112	—	220	—	35	M27	UK324+H2324	207000	184800	IP324	—	CUKIP324C(CE)+H2324	56.3	—	72.5	
115	UKIP326+H2326	200	550	110	470	32	50	390	390	121	—	230	—	36	M27	UK326+H2326	229000	214300	IP326	—	CUKIP326C(CE)+H2326	73.5	—	95.8	
125	UKIP328+H2328	200	590	110	500	35	55	400	400	131	—	240	—	37	M30	UK328+H2328	255000	246000	IP328	—	CUKIP328C(CE)+H2328	83.8	—	106	



Remarks (1): Grease nipple :  
1/4-28UNF for bore number 13 and under  
PF1/8 for bore number 14 and over

Remarks (2): Examples of number of units with covers:

With steel cover { Covers with rubber seal on both sides : UKIP210C+H2310  
An end cover and a cover with rubber seal : UKIP210E+H2310

With cast cover { Covers with rubber seal on both sides : CUKIP210C+H2310  
An end cover and a cover with rubber seal : CUKIP210CE+H2310

