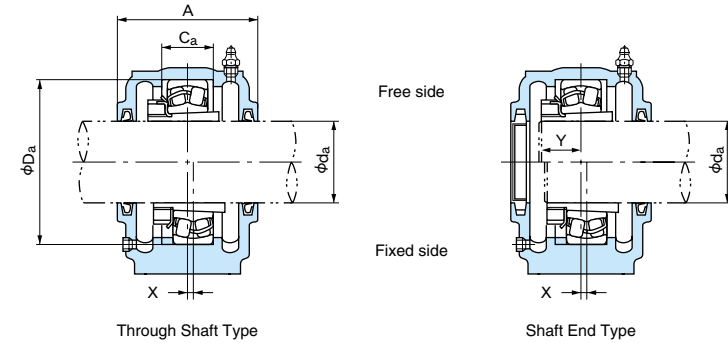
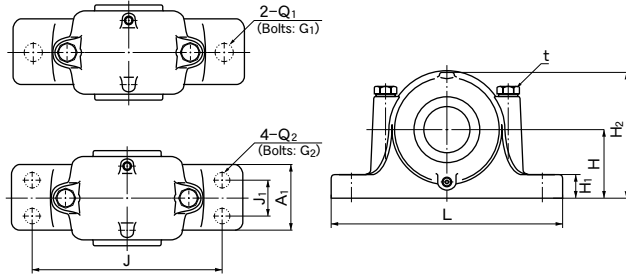


Plummer Block Housings

Flat Bottom Type SN5F, SN6F Series
for Bearing with Adapter Sleeve

Shaft Diameter : 20 ~ 60mm



1N=0.102kgf

Shaft dia. da (mm)	Dimensions (mm)								Bolt holes (Reference)				t (Nominal) (Reference)	Mass (kg) (Reference)	Designations		Applicable parts								
	Da (H8)	H (h13)	A	L	A1	H1	H2	Ca (H13)	J	Q1	G1 (Nominal)	J1			Q2	G2 (Nominal)	Through Shaft Type	Shaft End Type	Self-aligning ball bearings	Spherical roller bearings	Adapter sleeve	Oil seal	Locating ring		Y (Reference)
																					Designation	Q'ty			
20	52	40	67	165	46	22	75	25	130	15	M12	25	10	M 8	M 8	1.7	SN505F	SN505FE	1205K 2205K	— 22205EXK	H205X H305X	GS 5	SR52×5 SR52×7	2 1	17 19
	62	50	80	185	52	22	90	34	150	15	M12	25	12	M10	M 8	2.4	SN605F	SN605FE	1305K 2305K	21305EK —	H305X H2305X	GS 5	SR62×8.5 SR62×10	2 1	18 22
25	62	50	77	185	52	22	90	30	150	15	M12	25	12	M10	M 8	2.5	SN506F	SN506FE	1206K 2206K	— 22206EXK	H206X H306X	GS 6	SR62×7 SR62×10	2 1	18 20
	72	50	82	185	52	22	95	37	150	15	M12	25	12	M10	M10	2.5	SN606F	SN606FE	1306K 2306K	21306EK —	H306X H2306X	GS 6	SR72×9 SR72×10	2 1	19 23
30	72	50	82	185	52	22	95	33	150	15	M12	25	12	M10	M10	2.6	SN507F	SN507FE	1207K 2207K	— 22207EXK	H207X H307X	GS 7	SR72×8 SR72×10	2 1	19 22
	80	60	90	205	60	25	110	41	170	15	M12	30	12	M10	M10	3.8	SN607F	SN607FE	1307K 2307K	21307EK —	H307X H2307X	GS 7	SR80×10 SR80×10	2 1	21 26
35	80	60	85	205	60	25	110	33	170	15	M12	30	12	M10	M10	4.0	SN508F	SN508FE	1208K 2208K	— 22208EXK	H208X H308X	GS 8	SR80×7.5 SR80×10	2 1	21 23
	90	60	95	205	60	25	115	43	170	15	M12	30	12	M10	M10	4.0	SN608F	SN608FE	1308K 2308K	21308EK 22308EXK	H308X H2308X	GS 8	SR90×10 SR90×10	2 1	23 28
40	85	60	85	205	60	25	112	31	170	15	M12	30	12	M10	M10	4.4	SN509F	SN509FE	1209K 2209K	— 22209EXK	H209X H309X	GS 9	SR85×6 SR85×8	2 1	22 24
	100	70	105	255	70	28	130	46	210	19	M16	35	15	M12	M12	6.0	SN609F	SN609FE	1309K 2309K	21309EK 22309EXK	H309X H2309X	GS 9	SR100×10.5 SR100×10	2 1	25 31
45	90	60	90	205	60	25	115	33	170	15	M12	30	12	M10	M10	4.7	SN510F	SN510FE	1210K 2210K	— 22210EXK	H210X H310X	GS10	SR90×6.5 SR90×10	2 1	24 25
	110	70	115	255	70	30	135	50	210	19	M16	35	15	M12	M12	6.5	SN610F	SN610FE	1310K 2310K	21310EK 22310EXK	H310X H2310X	GS10	SR110×11.5 SR110×10	2 1	27 34
50	100	70	95	255	70	28	130	33	210	19	M16	35	15	M12	M12	6.3	SN511F	SN511FE	1211K 2211K	— 22211EXK	H211X H311X	GS11	SR100×6 SR100×8	2 1	25 27
	120	80	120	275	80	30	150	53	230	19	M16	40	15	M12	M12	8.5	SN611F	SN611FE	1311K 2311K	21311EK 22311EXK	H311X H2311X	GS11	SR120×12 SR120×10	2 1	29 36
55	110	70	105	255	70	30	135	38	210	19	M16	35	15	M12	M12	6.9	SN512F	SN512FE	1212K 2212K	— 22212EXK	H212X H312X	GS12	SR110×8 SR110×10	2 1	26 29
	130	80	125	280	80	30	155	56	230	19	M16	40	15	M12	M12	9.0	SN612F	SN612FE	1312K 2312K	21312EK 22312EXK	H312X H2312X	GS12	SR130×12.5 SR130×10	2 1	31 39
60	120	80	110	275	80	30	150	43	230	19	M16	40	15	M12	M12	7.0	SN513F	SN513FE	1213K 2213K	— 22213EXK	H213X H313X	GS13	SR120×10 SR120×12	2 1	28 32
	140	95	130	315	90	32	175	58	260	24	M20	50	19	M16	M16	13	SN613F	SN613FE	1313K 2313K	21313EK 22313EXK	H313X H2313X	GS13	SR140×12.5 SR140×10	2 1	33 40

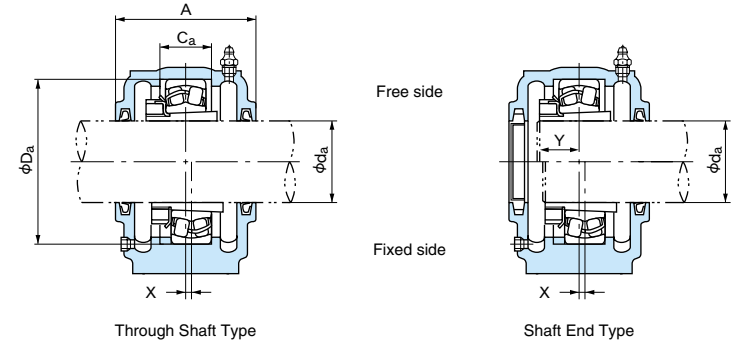
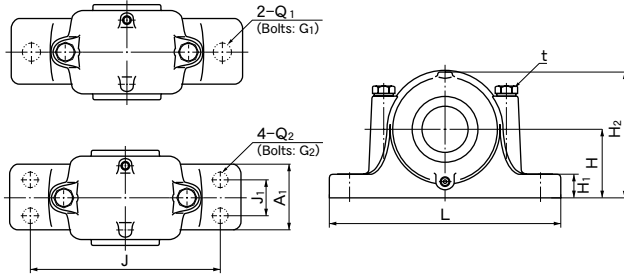
- Remarks (1): Plummer block housings are housings with oil seals, a plug and a grease nipple only.
To make a complete unit, please order the corresponding bearing, adapter sleeve and locating rings shown in the table additionally.
(2): The masses in the table do not include the bearing, adapter sleeve and locating rings but the bolts.
(3): H8, H13 and h13 in the table means tolerance classes specified in JIS B 0401.
(4): The tolerance of locating ring O.D. is h12, and 0 ~ -0.2 for the width.

- (5): When one locating ring is used for fixed-end, the offset (X dimension) of bearing center from the center of the plummer block housing is a half of the locating ring width.
(6): The threads for plugs are PT1/8. SN505 does not have a drain hole.
(7): ZF type oil seals are also available instead of GS type seals.
(8): Please specify number of bolt holes.
(9): The dimension Y indicates the distance from the bearing center to the outer side face of the nut.

Plummer Block Housings

Flat Bottom Type SN5F, SN6F Series
for Bearing with Adapter Sleeve

Shaft Diameter : 65 ~ 100mm



1N=0.102kgf

Shaft dia. d _a (mm)	Dimensions (mm)								Bolt holes (Reference)					t (Nominal) (Reference)	Mass (kg) (Reference)	Designations		Applicable parts							
	D _a (H8)	H (h13)	A	L	A ₁	H ₁	H ₂	C _a (H13)	J	Q ₁	G ₁ (Nominal)	J ₁	Q ₂			G ₂ (Nominal)	Through Shaft Type	Shaft End Type	Self-aligning ball bearings	Spherical roller bearings	Adapter sleeve	Oil seal	Locating ring		Y (Reference)
																	Designation	Q'ty							
65	130	80	115	280	80	30	155	41	230	19	M16	40	15	M12	M12	8.8	SN515F	SN515FE	1215K 2215K	— 22215EXK	H215X H315X	GS15	SR130×8 SR130×10	2 1	30 33
	160	100	140	345	100	35	195	65	290	24	M20	50	19	M16	M16	16	SN615F	SN615FE	1315K 2315K	22315EXK	H315X H2315X	GS15	SR160×14 SR160×10	2 1	36 45
70	140	95	120	315	90	32	175	43	260	24	M20	50	19	M16	M16	13	SN516F	SN516FE	1216K 2216K	— 22216EXK	H216X H316X	GS16	SR140×8.5 SR140×10	2 1	32 36
	170	112	145	345	100	35	212	68	290	24	M20	50	19	M16	M16	17	SN616F	SN616FE	1316K 2316K	21316EK 22316EXK	H316X H2316X	GS16	SR170×14.5 SR170×10	2 1	39 48
75	150	95	125	320	90	32	185	46	260	24	M20	50	19	M16	M16	14	SN517F	SN517FE	1217K 2217K	— 22217EXK	H217X H317X	GS17	SR150×9 SR150×10	2 1	34 38
	180	112	155	380	110	40	223	70	320	28	M24	60	24	M20	M20	24	SN617F	SN617FE	1317K 2317K	21317EK 22317EXK	H317X H2317X	GS17	SR180×14.5 SR180×10	2 1	41 50
80	160	100	145	345	100	35	195	62.4	290	24	M20	50	19	M16	M16	18	SN518F	SN518FE	1218K 2218K	— 22218EXK	H218X H318X	GS18	SR160×16.2 SR160×11.2	2 2	35 40
	190	112	160	380	110	40	230	74	320	28	M24	60	24	M20	M20	26	SN618F	SN618FE	1318K 2318K	21318EK 22318EXK	H318X H2318X	GS18	SR190×15.5 SR190×10	2 1	42 52
85	170	112	140	345	100	35	210	53	290	24	M20	50	19	M16	M16	20	SN519F	SN519FE	1219K 2219K	— 22219EXK	H219X H319X	GS19	SR170×10.5 SR170×10	2 1	37 43
	200	125	170	410	120	45	250	77	350	28	M24	70	24	M20	M20	30	SN619F	SN619FE	1319K 2319K	21319EK 22319EXK	H319X H2319X	GS19	SR200×16 SR200×10	2 1	44 55
90	180	112	160	380	110	40	218	70.3	320	28	M24	60	24	M20	M20	26	SN520F	SN520FE	1220K 2220K	— 22220EXK	H220X H320X	GS20	SR180×18.1 SR180×12.1	2 2	39 45
	215	140	175	410	120	45	270	83	350	28	M24	70	24	M20	M20	35	SN620F	SN620FE	1320K 2320K	21320EK 22320EXK	H320X H2320X	GS20	SR180×10 SR215×18 SR215×10	1 2 1	52 46 59
100	200	125	175	410	120	45	240	80	350	28	M24	70	24	M20	M20	28	SN522F	SN522FE	1222K 2222K	— 22222EXK	H222X H322X	GS22	SR200×21 SR200×13.5	2 2	42 50
	240	150	190	450	130	50	300	90	390	28	M24	70	28	M24	M24	45	SN622F	SN622FE	1322K 2322K	21322EK 22322EXK	H322X H2322X	GS22	SR200×10 SR240×20 SR240×10	1 2 1	58 48 63

Remarks (1): Plummer block housings are housings with oil seals, a plug and a grease nipple only.

To make a complete unit, please order the corresponding bearing, adapter sleeve and locating rings shown in the table additionally.

(2): The masses in the table do not include the bearing, adapter sleeve and locating rings but the bolts.

(3): H8, H13 and h13 in the table means tolerance classes specified in JIS B 0401.

(4): The tolerance of locating ring O.D. is h12, and 0 ~ -0.2 for the width.

(5): Plummer block housings SN3028, SN3126, SN524, SN620 and larger are provided with eye bolts.

(6): When one locating ring is used for fixed-end, the offset (X dimension) of bearing center from the center of the plummer block housing is a half of the locating ring width.

(7): The threads for plugs are PT1/8 for SN519, SN616 and smaller, and PT1/4 for the others.

(8): ZF type oil seals are also available instead of GS type seals.

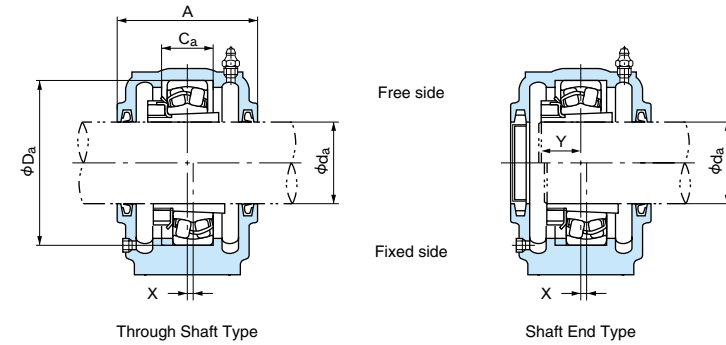
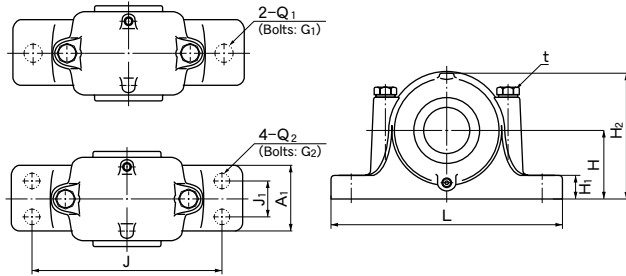
(9): Please specify number of bolt holes.

(10): The dimension Y indicates the distance from the bearing center to the outer side face of the nut.

Plummer Block Housings

Flat Bottom Type SN5F, SN6F Series
for Bearing with Adapter Sleeve

Shaft Diameter : 110 ~ 140mm



1N=0.102kgf

Shaft dia. d _a (mm)	Dimensions (mm)								Bolt holes (Reference)					t (Nominal) (Reference)	Mass (kg) (Reference)	Designations		Applicable parts					Y (Reference)	
	D _a (H8)	H (h13)	A	L	A ₁	H ₁	H ₂	C _a (H13)	J	Q ₁	G ₁ (Nominal)	J ₁	Q ₂			G ₂ (Nominal)	Through Shaft Type	Shaft End Type	Spherical roller bearings	Adapter sleeve	Oil seal	Locating ring		
																				Designation	Q'ty			
110	215	140	185	410	120	45	270	86	350	28	M24	70	24	M20	M20	35	SN524F	SN524FE	22224EXK 23224EK	H3124X H2324X	GS24	SR215×14 SR215×10	2 1	53 62
	260	160	200	530	160	60	320	96	450	35	M30	90	28	M24	M24	63	SN624F	SN624FE	22324EK	H2324X	GS24	SR260×10	1	67
115	230	150	190	445	130	50	290	90	380	28	M24	70	28	M24	M24	42	SN526F	SN526FE	22226EXK 23226EK	H3126 H2326	GS26	SR230×13 SR230×10	2 1	57 65
	280	170	210	550	160	60	340	103	470	35	M30	90	28	M24	M24	74	SN626F	SN626FE	22326EK	H2326	GS26	SR280×10	1	72
125	250	150	205	500	150	50	305	98	420	35	M30	80	28	M24	M24	52	SN528F	SN528FE	22228EXK 23228EK	H3128 H2328	GS28	SR250×15 SR250×10	2 1	60 70
	300	180	235	610	170	65	365	112	520	35	M30	100	28	M24	M30	92	SN628F	SN628FE	22328EK	H2328	GS28	SR300×10	1	77
135	270	160	220	530	160	60	325	106	450	35	M30	90	28	M24	M24	61	SN530F	SN530FE	22230EK 23230EK	H3130 H2330	GS30	SR270×16.5 SR270×10	2 1	65 76
	320	190	245	650	180	65	385	118	560	35	M30	110	28	M24	M30	120	SN630F	SN630FE	22330EK	H2330	GS30	SR320×10	1	82
140	290	170	235	550	160	60	345	114	470	35	M30	90	28	M24	M24	68	SN532F	SN532FE	22232EK 23232EK	H3132 H2332	GS32	SR290×17 SR290×10	2 1	71 83
	340	200	255	680	190	70	405	124	580	42	M36	110	35	M30	M30	140	SN632F	SN632FE	22332EK	H2332	GS32	SR340×10	1	88

- Remarks (1): Plummer block housings are housings with oil seals, a plug and a grease nipple only.
To make a complete unit, please order the corresponding bearing, adapter sleeve and locating rings shown in the table additionally.
- (2): The masses in the table do not include the bearing, adapter sleeve and locating rings but the bolts.
- (3): H8, H13 and h13 in the table means tolerance classes specified in JIS B 0401.
- (4): The tolerance of locating ring O.D. is h12, and 0 ~ -0.2 for the width.
- (5): Plummer block housings SN3028, SN3126, SN524, SN620 and larger are provided with eye bolts.
- (6): When one locating ring is used for fixed-end, the offset (X dimension) of bearing center from the center of the plummer block housing is a half of the locating ring width.
- (7): The threads for plugs are PT1/4.
- (8): ZF type oil seals are also available instead of GS type seals.
- (9): Please specify number of bolt holes.
- (10): The dimension Y indicates the distance from the bearing center to the outer side face of the nut.