

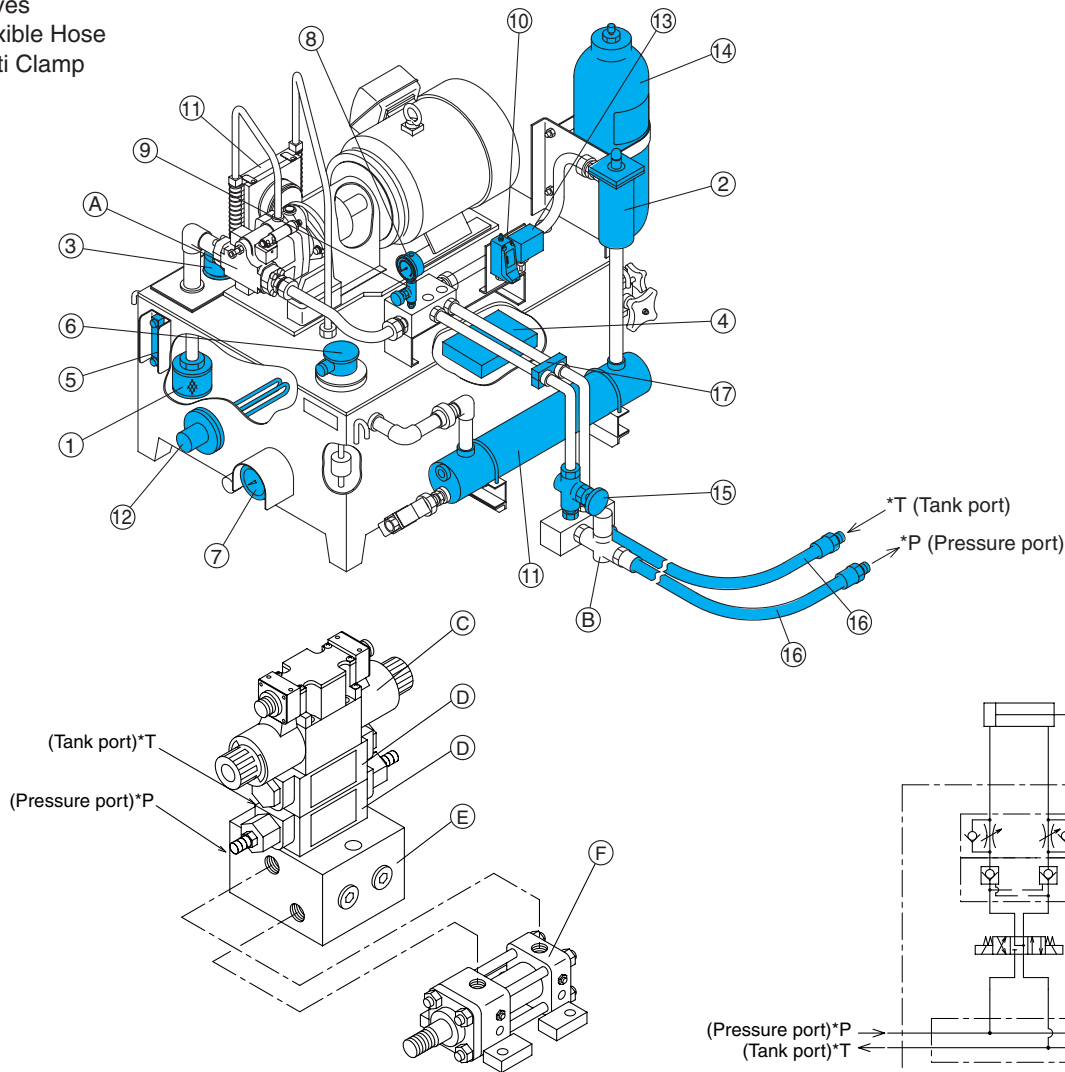
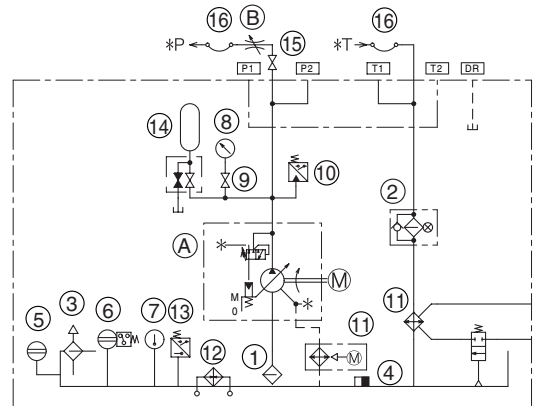
### Hydraulic Accessories

Nachi hydraulic accessories are made possible through a long history of accumulated know-how, and provide you with the tools you need to configure the hydraulic cir-

cuits and systems you need. Nachi accessories not only maximize the performance of your hydraulic system, they also provide you with the versatility to configure the sim-

plest, most economical solution for virtually any type of system imaginable. Use the illustration below to select the Nachi hydraulic accessories that best suit your needs.

- ① Strainer
  - ② Filter
  - ③ Air Breather
  - ④ Magnet Separator
  - ⑤ Fluid Level Gauge
  - ⑥ Fluid Switch
  - ⑦ Temperature Gauge
  - ⑧ Pressure Gauge
  - ⑨ Gauge Valve
  - ⑩ Pressure Switch
  - ⑪ Oil Cooler
  - ⑫ Heater
  - ⑬ Thermostat
  - ⑭ Accumulator
  - ⑮ Valves
  - ⑯ Flexible Hose
  - ⑰ Multi Clamp
- Ⓐ Pump
  - Ⓑ Throttle Valve
  - Ⓒ Solenoid Valve
  - Ⓓ Control Valve
  - Ⓔ Base Block
  - Ⓕ Hydraulic Cylinder



- For detailed specifications and dimensions of hydraulic accessories, see the "Hydraulic Accessories Catalog."
- Product not covered by ISO9001 registration