

NACHI

BALL BEARING UNITS



Ball Bearing Units

Ball Bearing Mounted Units	7
Silver Series Pillow Blocks	8
Silver Series Two-Bolt Flange Units	8
Pillow Blocks	9 ~ 18
Square Flange Units	19 ~ 25
Flanged Cartridge Units	26 ~ 29
Two-Bolt Flange Units	30 ~ 33
Take-Up Units	34 ~ 37
Hanger Bearing Units	38
Cylindrical Cartridge Units	39
Pressed Steel Housing Pillow Blocks	40
Pressed Steel Housing Flange Units	41
Pressed Steel Housing Two-Bolt Flange Units	42
Ball Bearing for Units	43
Ball Bearings for U00 + ER, U000 + ER Type Units	43
Ball Bearings for B Type Units	44
Ball Bearings for Units	45 ~ 50
Ball Bearings with Eccentric Locking Collar	51 ~ 52
Ball Bearings for Adapter Type Units	48 ~ 50
Load Rating Data	53 ~ 54
Dimensional Interchange Chart	55 ~ 56

Types of Ball Bearing Mounted Units

SILVER SERIES Pillow Block and Two-Bolt Flange Units

UP 000
UFL 000
(Extra Light Duty,
Eccentric Collar Locking.)

SILVER SERIES, a totally new concept in ball bearing units, offers a significant reduction in size and weight when compared with the same size of existing series. This unique design promotes both space and material saving in machine tool and general equipment application.



Pillow Blocks

UCP type (Cylindrical bore: Normal duty and Medium duty)
UKP + H type (Tapered bore: Normal duty and Medium duty)
FGAK200 type (Cylindrical bore with eccentric locking collar: Normal duty)

Pillow Blocks are the most popular types of Ball Bearing Mounted Units, since they are used where the mounting surface is parallel to the axis of rotation.



Pillow Blocks

UCPA 200 type (Cylindrical bore: Normal duty)

The housing is designed compact with threaded bolt holes and space requirement for mounting of the unit is minimized. This type is, therefore, suitable for applications where mounting space in the machine structure is limited.



Square Flange Units

UCF type (Cylindrical bore: Normal duty and Medium duty)
UKF + H type (Tapered bore: Normal duty and Medium duty)

The Flange Units are designed to be mounted onto surfaces perpendicular to the axis of rotation of the shaft. This provides for a wide range of applications in machinery.



Flanged Cartridge Units

UCFC type (Cylindrical bore: Normal duty)
UCFS type (Cylindrical bore: Medium duty)

These Units are very similar to Square Flange Units, except they have an accurately machined cylindrical surface on the back of the flange which will fit a counterbore in the housing to which the Flange Units with respect to the shaft centerline. These Units are particularly adaptable to rotating drums and other equipments which require accuracy and concentricity of shaft location.



Two-Bolt Flange Units

UCFL type (Cylindrical bore: Normal duty and Medium duty)

Two-Bolt Flange Units are almost identical to Square Flange Units, except that they only have two-bolt hole locations and minimize the space requirements for mounting.



Take-Up Units

UCT type (Cylindrical bore: Normal duty and Medium duty)

Take-Up Units are normally applied where it is desired to change the position of the centerline of the shaft to compensate for belt stretch. They are normally used in conveyor applications.



Hanger Bearing Units

UCECH 200 type (Cylindrical bore: Normal duty)

As the housing is provided with straight pipe thread hole for hanging on the conveyor by the steel pipe, this type is used for screw conveyors.



Rubber Mounted Pillow Blocks

UCRP type (Cylindrical bore: Normal duty)

The synthetic rubber housing effectively protects the cover or frame against vibration of the rotating shaft. This is, therefore, suitable for applications where working loads are comparatively light and quiet operation is required such as home air-conditioners or ventilators.



Cylindrical Cartridge Units

UCC type (Cylindrical bore: Normal duty and Medium duty)

A Cartridge Unit is simply a mounted unit having a housing with an accurately ground O.D. so that it may be used almost identically with a ground outer race bearing. It permits self-aligning in this particular application. This type of units is particularly adoptable where expansion and contraction of the shaft occurs during operation of the bearing. The ground O.D. of the Cartridge Unit is free to slide in the adapter or housing in which it is mounted, thereby relieving any axial loads that might otherwise occur during temperature changes. Contact us for details of dimensions.



Ball Bearings for Units

UC type (Cylindrical bore: Normal duty and Medium duty)

These bearings are furnished for replacement in mounted units as described above. They are equipped with set-screws for mounting the inner ring to the shaft.

EG 200 type (Cylindrical bore: Normal duty)

EH 200 type (Cylindrical bore: Normal duty)

These bearings are equipped with eccentric locking collar for mounting the inner ring to the shaft.



Pressed Steel Housing Pillow Blocks

BPP type (Cylindrical bore: Normal duty)

FHPR 200 type (Cylindrical bore with eccentric locking collar: Normal duty)

This type of mounted units consists of a two-piece pressed steel housing which envelops the spherical O.D. bearing. It is normally used for relatively lightly loaded applications and for moderate speed conditions.



Ball Bearings for Adapter Type Units

UK + H type (Tapered bore: Normal duty and Medium duty)

These bearings are furnished as replacement units for tapered bore adapter sleeves and used in adapter type mounted units.



Pressed Steel Housing Flange Units

BPF type (Cylindrical bore: Normal duty)

This is a lowcost flange type units consisting of a two-piece pressed steel housing and a self-contained spherical O.D. ball bearing with synthetic rubber seals. It is recommended for transmission shafts operating under comparatively light loads and moderate speeds.



Ball Bearings for B Type Units

B type (Cylindrical bore: Normal duty)

These bearings are double sealed and are used in mounted units BPP and BPF types.



Neo-Lite Series

The housing is designed compact but maintains complete interchangeability with UCP 200 and UCFL 200 type with respect to center-height dimension and bolt hole distance. As the base section of the housing made of thick pressed steel, the top section made of steel. As the base section of the housing made of thick pressed steel, the top section made of steel, the weight of the unit is reduced to about half of corresponding UCP 200 type and UCFL 200 type. Also, this construction of the unit provides high resistance against shock load.

Tolerances of Ball Bearing Units

1. Bearing Tolerances

Table 1.1 Inner Ring Tolerances Unit: 0.001 mm

Nominal inner diameter d (mm)		Bore				Innering width Bi		Radial runout (Max.)
over	incl.	High	Low	High	Low	High	Low	
6	10	+15	0	+18	-3	0	-120	15
10	18	+18	0	+22	-4	0	-120	15
18	30	+21	0	+25	-4	0	-120	18
30	50	+25	0	+30	-5	0	-120	20
50	80	+30	0	+36	-6	0	-150	25
80	120	+35	0	+42	-7	0	-200	30
120	180	+40	0	+48	-8	0	-250	35

Note: dm is the mathematical mean of the maximum and minimum values obtainable by measuring two points.

Table 1.2 Outer Ring Tolerances Unit: 0.001 mm

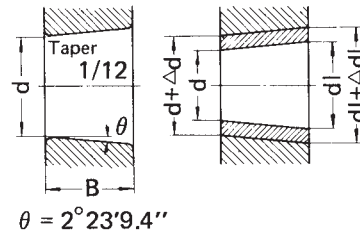
Nominal outside diameter D (mm)		Outside diameter Dm		Radial runout (Max.)
over	incl.	High	Low	
18	30	0	-9	15
30	50	0	-11	20
50	80	0	-13	25
80	120	0	-15	35
120	150	0	-18	40
150	180	0	-25	45
180	250	0	-30	50
250	315	0	-35	60

Note: 1) Dm is the mathematical mean of the maximum and minimum values of the outer diameter when measured by the two point measuring system.
2) The outside diameter tolerance shown in the above table (Dm) is not applicable to the span of ¼ of the width of the outer ring measured from its side.

Table 1.3 Tolerances of Tapered Bore Unit : 0.001 mm

Nominal inner diameter d (mm)		Bore tolerance limits d		Tolerance of $\Delta dL - \Delta d$	
over	incl.	High	Low	Max.	Min.
18	30	+33	0	+21	0
30	50	+39	0	+25	0
50	80	+46	0	+30	0
80	120	+54	0	+35	0
120	180	+63	0	+40	0

Note: 1) Figures in the above table are based on the tolerances of JIS B 1514 Rolling Bearing.
2) The tolerances of $\Delta dL - \Delta d$ stipulate those of the tapered bore type. ΔdL and Δd represent the differences in the nominal diameters of the major bore (ΔdL) from minor bore (Δd) respectively.
3) To obtain the measurement of the maximum diameter, the following formula is used:
Nominal diameter of dL = nominal diameter of d + 0.08333 × B
B = the width of inner ring



2. Bearing Unit Housing Tolerances

Table 2.1 Tolerances for Spherical Inner Diameter of Housings (except Silver series)

Unit : 0.001 mm

Nominal spherical diameter D_1 (mm)		Tolerance symbol H				Tolerance symbol J				Tolerance symbol K			
		D_{1m}		D_1		D_{1m}		D_1		D_{1m}		D_1	
over	incl.	High	Low	High	Low	High	Low	High	Low	High	Low	High	Low
30	50	+25	0	+30	-5	+14	-11	+19	-16	+7	-18	+12	-23
50	80	+30	0	+36	-6	+18	-12	+24	-18	+9	-21	+15	-27
80	120	+35	0	+42	-7	+22	-13	+29	-20	+10	-25	+17	-32
120	180	+40	0	+48	-8	+26	-14	+34	-22	+12	-28	+20	-36
180	250	+46	0	+55	-9	+30	-16	+39	-25	+13	-33	+22	-42
250	315	+52	0	+62	-10	+36	-16	+46	-26	+16	-36	+26	-46

Note: 1) $D_{1m} = \frac{D_1 \text{ Max.} + D_1 \text{ Min.}}{2}$

2) The spherical inner diameter of the housing is divided into H for a clearance fit and J and K for tight fits. As the bearings our company manufactures are equipped with a locking pin for the prevention of outer race rotation, the tolerance symbol H indicates standard tolerances.

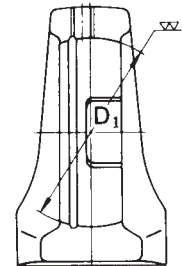


Table 2.2 Tolerances for Silver series Pillow Block housing Unit: μm

Housing No.	Tolerance of h	Tolerance of e
P000 P001 P002 P003 P004 P04-5 P05-6 P06-7 P07-8	± 150	± 300

Table 2.3 Tolerances for Pillow Block Housings (P) Unit : 0.001 mm

Housing No.	Tolerance of h
P 203 P 204	± 150
P 205 P 305 P 206 P 306 P 207 P 307	
P 208 P 308 P 209 P 309 P 210 P 310	
P 211 P 311 P 212 P 312 P 213 P 313	
P 214 P 314 P 215 P 315 P 216 P 316	± 200
P 217 P 317 P 218 P 318 — P 319	
— P 320 — P 321 — P 322	± 300
— P 324 — P 326 — P 328	

Note: h represents shaft centerline.

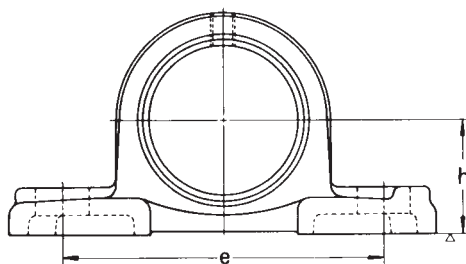


Table 2.4 Tolerances for Flange Unit Housings (F, FL) Unit : 0.001 mm

Housing No.				Tolerance of e and i	
				e	i
F 204 F 205 F 206 F 207	— F 305 F 306 F 307	FL 204 FL 205 FL 206 FL 207	— FL 305 FL 306 FL 307	± 700	± 500
F 208 F 209 F 210	F 308 F 309 F 310	FL 208 FL 209 FL 210	FL 308 FL 309 FL 310		
F 211 F 212 F 213	F 311 F 312 F 313	FL 211 FL 212 FL 213	FL 311 FL 312 FL 313		
F 214 F 215 F 216	F 314 F 315 F 316	FL 214 FL 215 FL 216	FL 314 FL 315 FL 316		
F 217 F 218 —	F 317 F 318 F 319	FL 217 FL 218 —	FL 317 FL 318 FL 319	± 1000	± 800
— — —	F 320 F 321 F 322	— — —	FL 320 FL 321 FL 322		
— — —	F 324 F 326 F 328	— — —	FL 324 FL 326 FL 328		

Note: e represents bolt holes centerline dimension,
i represents bearing centerline distance from mounting surface

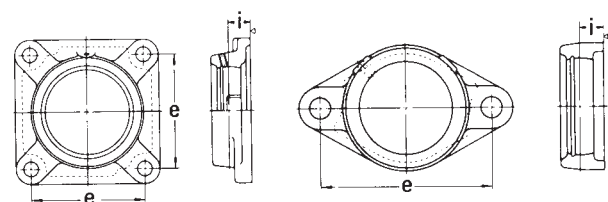


Table 2.5 Tolerances for Flange Unit Housings (FC, FS)

Unit : 0.001 mm

Housing No.	Tolerance of e and i			Tolerance of f			
	e	i	Machined back (Max.)	FC 200		FC 300	
				High	Low	High	Low
FC 204 FC 205 FC 206	± 700	± 500	200	0	-46	0	-46
FC 207 FC 208 FC 209				0	-54	0	-54
FC 210 FC 211 FC 212	± 1000	± 800	300	0	-63	0	-63
FC 213 FC 214 FC 215				0	-63	0	-72
FC 216 FC 217 FC 218			0	-72	0	-81	
— — —			— — —	— — —	— — —	— — —	0
— — —	— — —	— — —	400	— — —	— — —	0	-89
— — —	— — —	— — —	— — —	— — —	— — —	0	-89

Note: e represents bolt hole centerline dimension.
 i represents the bearing centerline distance from the mounting surface.
 f represents the outside diameter of machined back.

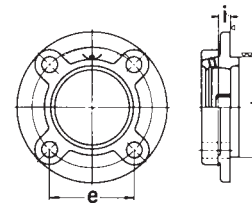
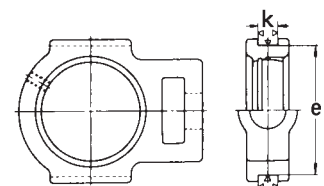


Table 2.6 Tolerances for Take-Up Unit Housings (T)

Unit : 0.001 mm

Housing No.	Tolerances of k and e		Tolerances of parallelism between both grooves (Max.)
	k	e	
T 204 T 205 T 206	+ 200 0	0 - 500	500
T 207 T 208 T 209			
T 210 T 211 T 212	+ 300 0	0 - 800	600
T 213 T 214 T 215			
T 216 T 217 —			700
— — —			
— — —	800		
— — —			

Note: k represents the width of guide rail grooves.
 e represents the maximum span of guide rail grooves.



3. Technical Information

Standard Machining Tolerances

Nominal bore Diameter	Dimensional tolerances
4 up to 16 incl.	± 0.2
16 up to 63 incl.	± 0.3
63 up to 250 incl.	± 0.5

Standard Casting Tolerances

1) Tolerances of length Unit : mm

Nominal bore diameter	up to 100 incl.	100 up to 200 incl.	200 up to 400 incl.	400 up to 800 incl.
Dimensional tolerances	± 1.5	± 2.0	± 3.0	± 4.0

2) Tolerances of thickness Unit : mm

Nominal bore diameter	up to 5 incl.	5 up to 10 incl.	10 up to 20 incl.	20 up to 30 incl.	30 up to 40 incl.
Dimensional tolerances	± 1.0	± 1.5	± 2.0	± 3.0	± 4.0

3) Tolerances of inclination Unit : mm

Inclination	Outer	Inner
Tolerances (Values)	3/100	5/100

4. Recommended set-screw tightening torque and axial load rating

Table 4.1 Recommended set-screw tightening torque and axial load rating

Metric thread	Bearing No.	Tightening torque kgcm	Axial load rating kg
M4 x 0.7	U 000 ~ U 003	15	90
M5 x 0.8	U 004 ~ U 006	30	180
M6 x 0.75	U 007	50	300

Note) As operating radial load increases, axial load rating increases as well.

Table 4.2 Recommended set-screw tightening torque for specially heat-treated units

Set-screw top		Bearing No.		Tightening torque	
Metric thread	UNF thread			kgcm	inlb
M 5 x 0.8	10 - 32	UC204 ~ UC206 UC207 ~ UC209	B4 B5, B6 B7	Over 30	Over 26
M 6 x 0.75	1/4-28			50	43
M 8 x 1	5/16-24			120	104
M10 x 1.25	3/8-24	UC210 ~ UC213	-	240	208

Table 4.3 Recommended set-screw tightening torque for through-hardened units

Set-screw top		Bearing No.			Tightening torque		
Metric thread	UNF thread				kgcm	inlb	
M 5 x 0.8	10 - 32	UC 201 203	UC 305 ~ 306 UC 307	UC X05 UC X06 ~ X08	B 1 3 - -	25	22
M 6 x 0.75	1/4-28					40	35
M 8 x 1	5/16-24					85	74
M10 x 1.25	3/8-24	UC 214 218	UC 308 ~ 309 UC 310 ~ 314 UC 315 ~ 316	UC X09 ~ X12 UC X13 ~ X17 UC X18	-	165	143
M12 x 1.5	1/2-20					285	247
M14 x 1.5	9/16-18					285	247
M16 x 1.5	5/8-18	-	UC 317 ~ 319	UC X20	-	680	590
M18 x 1.5	3/4-16	-	UC 320 ~ 324	-	-	680	590
M20 x 1.5	7/8-14	-	UC 326 ~ 328	-	-	1150	998

Ball Bearing Mounted Units

	page
Silver Series Pillow Blocks	
UP 000	8
Silver Series Two-Bolt Flange Units	
UFL 000	8
Pillow Blocks	
UCP 200	9
UCP X00	10
UCP 300	11
UKP 200 + H	12
UKP X00 + H	13
UKP 300 + H	14
BP 200	15
BLLP	15
KHLLP	16
UGP 200	17
UCPA 200	18
Square Flange Units	
UCF 200	19
UCF X00	20
UCF 300	21
UKF 200 + H	22
UKF X00 + H	23
UKF 300 + H	24
UGF 200	25
Flanged Cartridge Units	
UCFC 200	26
UCFC X00	27
UCFC 300	28
UGFC 200	29
Two-Bolt Flange Units	
UCFL 200	30
UCFL X00	31
UCFL 300	32
UGFL 200	33
Take-Up Units	
UCT 200	34
UCT X00	35
UCT 300	36
UGT 200 + EE	37
Hanger Bearing Units	
UCECH 200	38
Cylindrical Cartridge Units	
UCC 200	39
Pressed Steel Housingr Pillow Blocks	
BPP	40
Pressed Steel Housing Flange Units	
BPF	41
Pressed Steel Housing Two-Bolt Flange Units	
BPFL	42
Ball Bearing for units	
U00 + ER, U000 + ER	43
B	44
UC 200	45
UC X00	46
UC 300	47
UK 200 + H	48
UK X00 + H	49
UK 300 + H	50
UG 200 + ER	51
KH 200 + ER	52
Load Rating Data	53-54
Dimensional Interchange Chart	55-56

Note:

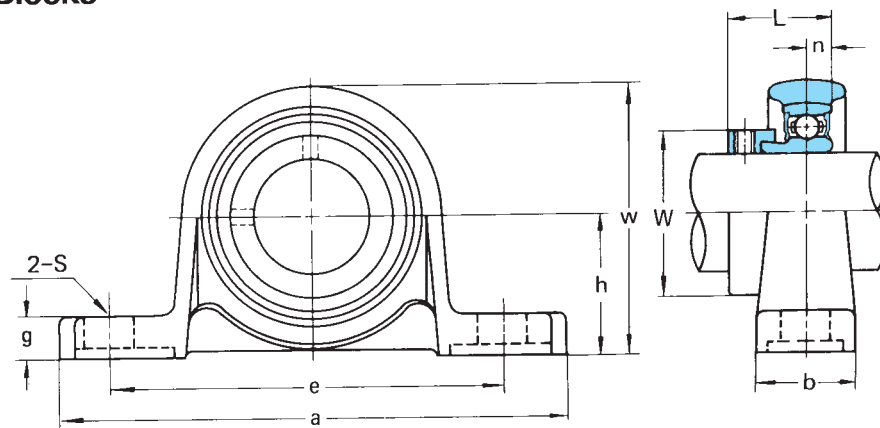
- (A) Type numbers parenthesized in above index show equivalent old type numbers.
- (B) These units listed in italics on the following pages are not normally stocked. Contact us for availability.
- (C) Most of Bearing Units are interchangeable with foreign made units.
- (D) For load rating data, see page 53.

Silver Series Pillow Blocks

Type

UP 000

Extra Light Duty
Eccentric Collar Locking



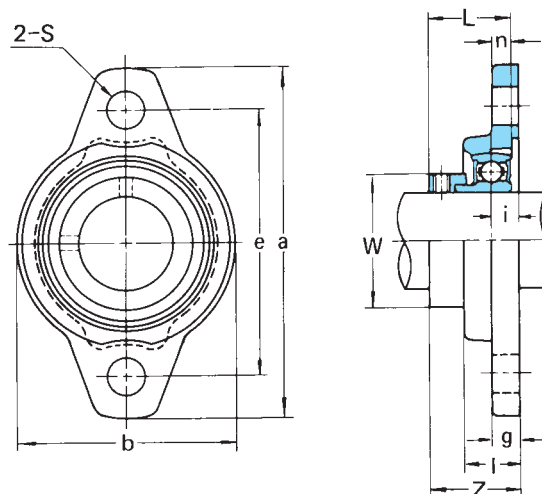
Unit No.	Shaft Dia. mm	Dimensions mm										Bolt Size mm	Bearing No.	Housing No.	Weight g
		h	a	e	b	s	g	w	L	n	W				
UP 000	10	18	67	53	16	7	6	35	17.5	4	17	M 6	U 000+ER	P 000	77
UP 001	12	19	71	56	16	7	6	38	17.5	4	19	M 6	U 001+ER	P 001	91
UP 002	15	22	80	63	16	7	7	43	18.5	4.5	22	M 6	U 002+ER	P 002	125
UP 003	17	24	85	67	18	7	7	47	20.5	5	25	M 8	U 003+ER	P 003	156
UP 004	20	28	100	80	20	10	9	55	24.5	6	30	M 8	U 004+ER	P 04-5	230
UP 005	25	32	112	90	20	10	10	62	25.5	6	36	M 8	U 005+ER	P 05-6	294
UP 006	30	36	132	106	26	13	11	70	26.5	6.5	42	M 10	U 006+ER	P 06-7	454

Silver Series Two-Bolt Flange Units

Type

UFL 000

Extra Light Duty
Eccentric Collar Locking



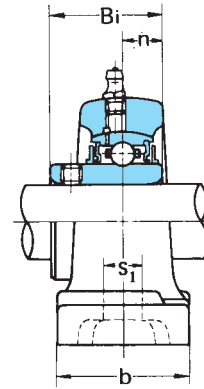
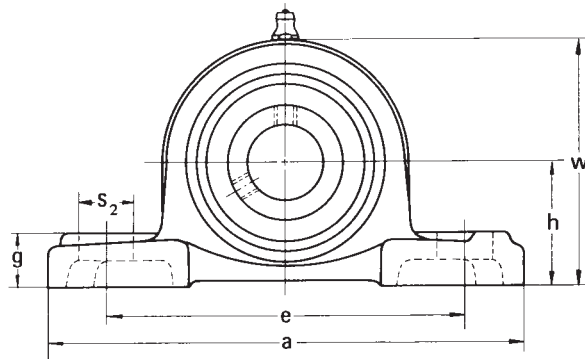
Unit No.	Shaft Dia. mm	Dimensions mm											Bolt Size mm	Bearing No.	Housing No.	Weight g
		a	e	i	g	l	s	b	Z	L	n	W				
UFL 08	8	48	37	4	4	8.5	4.8	27	12.5	12	3.5	11.3	M 4	U 08 +ER	FL 08	26
UFL 000	10	60	45	5.5	5.5	11.5	7	36	19	17.5	4	17	M 6	U 000+ER	FL 000	60
UFL 001	12	63	48	5.5	5.5	11.5	7	38	19	17.5	4	19	M 6	U 001+ER	FL 001	76
UFL 002	15	67	53	6.5	6.5	13	7	42	20.5	18.5	4.5	22	M 6	U 002+ER	FL 002	100
UFL 003	17	71	56	7	7	14	7	46	22.5	20.5	5	25	M 6	U 003+ER	FL 003	129
UFL 004	20	90	71	8	8	16	10	55	26.5	24.5	6	30	M 8	U 004+ER	FL 04-5	205
UFL 005	25	95	75	8	8	16	10	60	27.5	25.5	6	36	M 8	U 005+ER	FL 05-6	244
UFL 006	30	112	85	9	9	18	13	70	29	26.5	6.5	42	M 10	U 006+ER	FL 06-7	354

Pillow Blocks

Type

UCP 200

(Diameter series 2)



Metric series

Unit No.	Shaft Dia. mm	Dimensions mm										Bolt Size mm	Bearing No.	Housing No.	Weight kg
		h	a	e	b	s ₁	s ₂	g	w	Bi	n				
UCP 201	12	30.2	127	95	38	13	19	15	62	31	12.7	M10	UC 201	P 203	0.65
UCP 202	15	30.2	127	95	38	13	19	15	62	31	12.7	M10	UC 202	P 203	0.63
UCP 203	17	30.2	127	95	38	13	19	15	62	31	12.7	M10	UC 203	P 203	0.62
UCP 204	20	33.3	127	95	38	13	19	15	65	31	12.7	M10	UC 204	P 204	0.65
UCP 205	25	36.5	140	105	38	13	16	16	70	34	14.3	M10	UC 205	P 205	0.79
UCP 206	30	42.9	165	121	48	17	21	18	83	38.1	15.9	M14	UC 206	P 206	1.3
UCP 207	35	47.6	167	127	48	17	21	19	94	42.9	17.5	M14	UC 207	P 207	1.6
UCP 208	40	49.2	184	137	54	17	25	19	100	49.2	19	M14	UC 208	P 208	2.0
UCP 209	45	54	190	146	54	17	22	20	108	49.2	19	M14	UC 209	P 209	2.3
UCP 210	50	57.2	206	159	60	20	25	22	114	51.6	19	M16	UC 210	P 210	2.7
UCP 211	55	63.5	219	171	60	20	25	22	126	55.6	22.2	M16	UC 211	P 211	3.3
UCP 212	60	69.8	241	184	70	20	25	25	138	65.1	25.4	M16	UC 212	P 212	4.7
UCP 213	65	76.2	265	203	70	25	29	27	150	65.1	25.4	M20	UC 213	P 213	5.6
UCP 214	70	79.4	266	210	72	25	31	27	156	74.6	30.2	M20	UC 214	P 214	7.3
UCP 215	75	82.6	275	217	74	25	31	28	163	77.8	33.3	M20	UC 215	P 215	7.9
UCP 216	80	88.9	292	232	78	25	31	30	175	82.6	33.3	M20	UC 216	P 216	10.0
UCP 217	85	95.2	310	247	83	25	31	32	187	85.7	34.1	M20	UC 217	P 217	12.2
UCP 218	90	101.6	327	262	88	27	33	34	200	96	39.7	M22	UC 218	P 218	14.7

Inch series

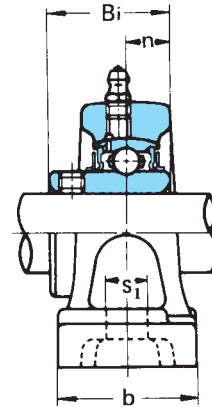
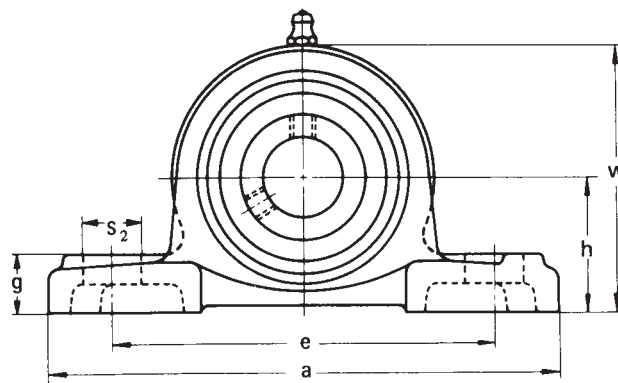
Unit No.	Shaft Dia. (inch)	Dimensions (inch)										Bolt Size (inch)	Bearing No.	Housing No.	Weight (lb.)		
		h	a	e	b	s ₁	s ₂	g	w	Bi	n						
UCP 201-8	1/2	1.188	5.000	3.750	1.500	0.500	0.750	0.594	2.438	1.220	0.500	3/8	UC 201-8	P 203		1.43	
UCP 202-9	9/16												UC 202-9				1.39
UCP 202-10	5/8												UC 202-10				1.39
UCP 203-11	11/16												UC 203-11				1.37
UCP 204-12	3/4	1.313	5.000	3.750	1.500	0.500	0.750	0.594	2.563	1.220	0.500	3/8	UC 204-12	P 204		1.43	
UCP 205-14	7/8	1.438	5.500	4.125	1.500	0.500	0.625	0.625	2.750	1.339	0.563	3/8	UC 205-14	P 205		1.74	
UCP 205-15	15/16												UC 205-15				
UCP 205-16	1												UC 205-16				
UCP 206-17	1-1/16	1.688	6.500	4.750	1.875	0.656	0.813	0.719	3.281	1.500	0.626	1/2	UC 206-17	P 206		2.87	
UCP 206-18	1-1/8												UC 206-18				
UCP 206-19	1-3/16												UC 206-19				
UCP 207-20	1-1/4	1.875	6.563	5.000	1.875	0.656	0.813	0.750	3.688	1.689	0.689	1/2	UC 207-20	P 207		3.53	
UCP 207-21	1-5/16												UC 207-21				
UCP 207-22	1-3/8												UC 207-22				
UCP 207-23	1-7/16												UC 207-23				
UCP 208-24	1-1/2	1.938	7.250	5.373	2.125	0.656	1.000	0.750	3.938	1.937	0.748	1/2	UC 208-24	P 208		4.41	
UCP 208-25	1-9/16												UC 208-25				
UCP 209-26	1-5/8	2.125	7.500	5.750	2.125	0.656	0.875	0.781	4.250	1.937	0.748	1/2	UC 209-26	P 209		5.07	
UCP 209-27	1-11/16												UC 209-27				
UCP 209-28	1-3/4												UC 209-28				
UCP 210-30	1-7/8	2.250	8.125	6.250	2.375	0.781	1.000	0.875	4.500	2.032	0.748	5/8	UC 210-30	P 210		5.59	
UCP 210-31	1-15/16												UC 210-31				
UCP 211-32	2	2.500	8.625	6.750	2.375	0.781	1.000	0.875	4.969	2.189	0.874	5/8	UC 211-32	P 211		7.27	
UCP 211-34	2-1/8												UC 211-34				
UCP 211-35	2-3/16												UC 211-35				
UCP 212-36	2-1/4	2.750	9.500	7.250	2.750	0.781	1.000	1.000	5.438	2.563	1.000	5/8	UC 212-36	P 212		10.36	
UCP 212-38	2-3/8												UC 212-38				
UCP 212-39	2-7/16												UC 212-39				
UCP 213-40	2-1/2	3.000	10.438	8.000	2.750	1.000	1.156	1.063	5.906	2.563	1.000	3/4	UC 213-40	P 213		12.34	
UCP 214-44	2-3/4	3.125	10.500	8.250	2.813	1.000	1.219	1.063	6.156	2.937	1.189	3/4	UC 214-44	P 214		16.09	
UCP 215-48	3	3.250	10.813	8.500	2.938	1.000	1.219	1.094	6.406	3.063	1.311	3/4	UC 215-48	P 215		17.41	
UCP 216-50	3-1/8	3.500	11.500	9.125	3.063	1.000	1.219	1.188	6.875	3.252	1.311	3/4	UC 216-50	P 216		22.04	
UCP 217-52	3-1/4	3.750	12.188	9.750	3.250	1.000	1.219	1.250	7.375	3.374	1.343	3/4	UC 217-52	P 217		26.89	
UCP 218-56	3-1/2	4.000	12.875	10.250	3.500	1.063	1.313	1.344	7.875	3.780	1.563	7/8	UC 218-56	P 218		32.04	

Pillow Blocks

Type

UCP X00

(Diameter series X)

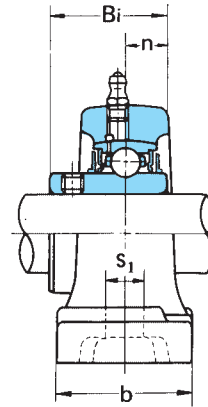
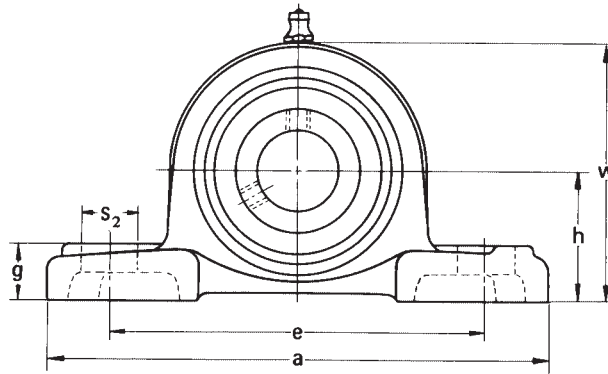


Metric series

Unit No.	Shaft Dia. mm	Dimensions mm										Bolt Size mm	Bearing No.	Housing No.	Weight kg
		h	a	e	b	s ₁	s ₂	g	w	Bi	n				
UCP X05	25	44.4	159	119	51	17	25	18	85	38.1	15.9	M14	UC X05	P X05	1.5
UCP X06	30	47.6	175	127	57	17	25	20	94	42.9	17.5	M14	UC X06	P X06	1.9
UCP X07	35	54	203	144	57	17	30	22	105	49.2	19	M14	UC X07	P X07	2.7
UCP X08	40	58.7	222	156	67	20	32	26	113	49.2	19	M16	UC X08	P X08	3.5
UCP X09	45	58.7	222	156	67	20	33	26	116	51.6	19	M16	UC X09	P X09	3.5
UCP X10	50	63.5	241	171	73	20	36	27	126	55.6	22.2	M16	UC X10	P X10	4.2
UCP X11	55	69.8	260	184	79	25	36	30	139	65.1	25.4	M20	UC X11	P X11	5.9
UCP X12	60	76.2	286	203	83	25	41	32	151	65.1	25.4	M20	UC X12	P X12	7.2
UCP X13	65	76.2	286	203	83	25	41	32	154	74.6	30.2	M20	UC X13	P X13	7.4
UCP X14	70	88.9	330	229	89	27	51	35	172	77.8	33.3	M22	UC X14	P X14	11.1
UCP X15	75	88.9	330	229	89	27	51	35	177	82.6	33.3	M22	UC X15	P X15	11.4
UCP X16	80	101.6	381	283	102	27	59	42	197	85.7	34.1	M22	UC X16	P X16	17.4
UCP X17	85	101.6	381	283	102	27	59	42	202	96	39.7	M22	UC X17	P X17	17.1
UCP X18	90	101.6	381	283	111	27	60	45	206	104	42.9	M22	UC X18	P X18	17.0
UCP X20	100	127	432	337	121	33	64	52	250	117.5	49.2	M27	UC X20	P X20	33.0

Inch series

Unit No.	Shaft Dia. (inch)	Dimensions (inch)										Bolt Size (inch)	Bearing No.	Housing No.	Weight (lb.)
		h	a	e	b	s ₁	s ₂	g	w	Bi	n				
UCP X05-14	7/8	1.750	6.250	4.688	2.000	0.656	1.000	0.719	3.344	1.500	0.626	1/2	UC X05-14 UC X05-15 UC X05-16	P X05	3.31
UCP X05-15															
UCP X05-16															
UCP X06-18	1-1/8	1.875	6.875	5.000	2.250	0.656	1.000	0.781	3.688	1.689	0.689	1/2	UC X06-18 UC X06-19 UC X06-20	P X06	4.19
UCP X06-19															
UCP X06-20															
UCP X07-22	1-3/8	2.125	8.000	5.688	2.250	0.656	1.188	0.875	4.125	1.937	0.748	1/2	UC X07-22 UC X07-23	P X07	5.95
UCP X07-23															
UCP X08-24	1-1/2	2.313	8.750	6.125	2.625	0.781	1.250	1.031	4.438	1.937	0.748	5/8	UC X08-24	P X08	7.71
UCP X09-26	1-5/8	2.313	8.750	6.125	2.625	0.781	1.313	1.031	4.563	2.032	0.748	5/8	UC X09-26 UC X09-27 UC X09-28	P X09	7.71
UCP X09-27															
UCP X09-28															
UCP X10-30	1-7/8	2.500	9.500	6.750	2.875	0.781	1.438	1.063	4.969	2.189	0.874	5/8	UC X10-30 UC X10-31 UC X10-32	P X10	9.26
UCP X10-31															
UCP X10-32															
UCP X11-34	2-1/8	2.750	10.250	7.250	3.125	1.000	1.438	1.188	5.469	2.563	1.000	3/4	UC X11-34 UC X11-35 UC X11-36	P X11	13.00
UCP X11-35															
UCP X11-36															
UCP X12-38	2-3/8	3.000	11.250	8.000	3.250	1.000	1.625	1.250	5.938	2.563	1.000	3/4	UC X12-38 UC X12-39	P X12	15.87
UCP X12-39															
UCP X13-40	2-1/2	3.000	11.250	8.000	3.250	1.000	1.625	1.250	6.063	2.937	1.189	3/4	UC X13-40	P X13	16.31
UCP X14-43	2-11/16	3.500	13.000	9.000	3.500	1.063	2.000	1.375	6.781	3.063	1.311	7/8	UC X14-43 UC X14-44	P X14	24.46
UCP X14-44															
UCP X15-47	2-15/16	3.500	13.000	9.000	3.500	1.063	2.000	1.375	6.969	3.252	1.311	7/8	UC X15-47 UC X15-48	P X15	25.13
UCP X15-48															
UCP X16-51	3-3/16	4.000	15.000	11.125	4.000	1.063	2.313	1.656	7.750	3.374	1.343	7/8	UC X16-51	P X16	38.35
UCP X17-52	3-1/4	4.000	15.000	11.125	4.000	1.063	2.313	1.656	7.938	3.780	1.563	7/8	UC X17-52 UC X17-55	P X17	37.69
UCP X17-55															
UCP X18-56	3-1/2	4.000	15.000	11.125	4.375	1.063	2.375	1.781	8.125	4.094	1.689	7/8	UC X18-56	P X18	37.47
UCP X20-63	3-15/16	5.000	17.000	13.250	4.750	1.313	2.500	2.063	9.844	4.626	1.937	1	UC X20-63 UC X20-64	P X20	72.73
UCP X20-64															



Metric series

Unit No.	Shaft Dia. mm	Dimensions mm										Bolt Size mm	Bearing No.	Housing No.	Weight kg
		h	a	e	b	s ₁	s ₂	g	w	Bi	n				
UCP 305	25	45	175	132	45	17	20	16	84	38	15	M14	UC 305	P 305	1.6
UCP 306	30	50	180	140	50	17	20	19	94	43	17	M14	UC 306	P 306	1.9
UCP 307	35	56	210	160	56	17	25	21	105	48	19	M14	UC 307	P 307	2.7
UCP 308	40	60	220	170	60	17	27	23	116	52	19	M14	UC 308	P 308	3.3
UCP 309	45	67	245	190	67	20	30	25	128	57	22	M16	UC 309	P 309	4.5
UCP 310	50	75	275	212	75	20	35	28	143	61	22	M16	UC 310	P 310	6.2
UCP 311	55	80	310	236	80	20	38	31	154	66	25	M16	UC 311	P 311	7.7
UCP 312	60	85	330	250	85	25	38	33	165	71	26	M20	UC 312	P 312	9.3
UCP 313	65	90	340	260	90	25	38	36	174	75	30	M20	UC 313	P 313	9.8
UCP 314	70	95	360	280	90	27	40	40	186	78	33	M22	UC 314	P 314	11.4
UCP 315	75	100	380	290	100	27	40	40	197	82	32	M22	UC 315	P 315	13.6
UCP 316	80	106	400	300	110	27	40	45	209	86	34	M22	UC 316	P 316	16.4
UCP 317	85	112	420	320	110	33	45	45	221	96	40	M27	UC 317	P 317	18.6
UCP 318	90	118	430	330	110	33	45	50	233	96	40	M27	UC 318	P 318	20.9
UCP 319	95	125	470	360	120	36	50	50	250	103	41	M30	UC 319	P 319	26.5
UCP 320	100	140	490	380	120	36	50	55	275	108	42	M30	UC 320	P 320	34.3
UCP 321	105	140	490	380	120	36	50	55	278	112	44	M30	UC 321	P 321	36.6
UCP 322	110	150	520	400	140	40	55	60	295	117	46	M33	UC 322	P 322	42.5
UCP 324	120	160	570	450	140	40	55	70	321	126	51	M33	UC 324	P 324	53.5
UCP 326	130	180	600	480	140	40	55	80	354	135	54	M33	UC 326	P 326	72.1
UCP 328	140	200	620	500	140	40	55	80	388	145	59	M33	UC 328	P 328	89.1

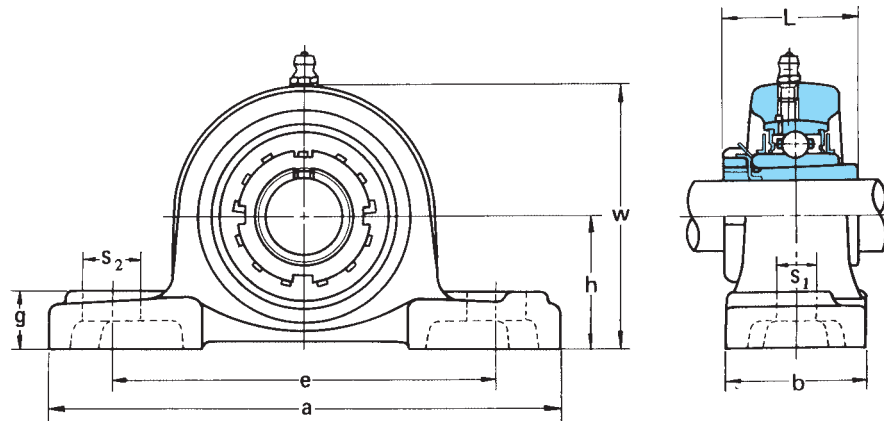
Inch series

Unit No.	Shaft Dia. (inch)	Dimensions (inch)										Bolt Size (inch)	Bearing No.	Housing No.	Weight (lb.)
		h	a	e	b	s ₁	s ₂	g	w	Bi	n				
UCP 305-14	7/8	1.766	6.875	5.250	1.750	0.656	0.781	0.625	3.297	1.496	0.591	1/2	UC 305-14	P 305	3.53
UCP 305-16	1											UC 305-16			
UCP 306-18	1-1/8	1.969	7.063	5.500	2.000	0.656	0.781	0.750	3.688	1.693	0.669	1/2	UC 306-18	P 306	4.19
UCP 307-20	1-1/4	2.203	8.250	6.250	2.250	0.656	1.000	0.813	4.125	1.890	0.748	1/2	UC 307-20	P 307	5.95
UCP 307-22	1-3/8											UC 302-22			
UCP 308-24	1-1/2	2.359	8.688	6.750	2.375	0.656	1.063	0.906	4.563	2.047	0.748	1/2	UC 308-24	P 308	7.27
UCP 309-26	1-5/8	2.641	9.625	7.500	2.625	0.781	1.188	1.000	5.031	2.244	0.866	5/8	UC 309-26	P 309	9.92
UCP 309-28	1-3/4											UC 309-28			
UCP 310-30	1-7/8	2.953	10.813	8.375	3.000	0.781	1.375	1.094	5.625	2.402	0.866	5/8	UC 310-30	P 310	13.66
UCP 311-32	2	3.156	12.188	9.250	3.125	0.781	1.500	1.219	6.063	2.598	0.984	5/8	UC 311-32	P 311	16.97
UCP 311-34	2-1/8											UC 311-34			
UCP 312-36	2-1/4	3.344	13.000	9.875	3.375	1.000	1.500	1.313	6.500	2.795	1.024	3/4	UC 312-36	P 312	20.50
UCP 312-38	2-3/8											UC 312-38			
UCP 313-40	2-1/2	3.547	13.375	10.250	3.500	1.000	1.500	1.406	6.844	2.953	1.181	3/4	UC 313-40	P 313	21.60
UCP 314-44	2-3/4	3.734	14.188	11.000	3.500	1.063	1.563	1.563	7.313	3.071	1.299	7/8	UC 314-44	P 314	25.13
UCP 315-48	3	3.938	15.000	11.375	3.875	1.063	1.563	1.563	7.750	3.228	1.260	7/8	UC 315-48	P 315	29.97
UCP 316-50	3-1/8	4.172	15.750	11.750	4.375	1.063	1.563	1.781	8.219	3.386	1.339	7/8	UC 316-50	P 316	36.15
UCP 317-52	3-1/4	4.406	16.563	12.625	4.375	1.313	1.781	1.781	8.688	3.780	1.575	1	UC 317-52	P 317	40.99
UCP 318-56	3-1/2	4.641	16.938	13.000	4.375	1.313	1.781	1.969	9.188	3.780	1.575	1	UC 318-56	P 318	46.06
UCP 319-60	3-3/4	4.922	18.500	14.125	4.750	1.406	1.969	1.969	9.656	4.055	1.614	1-1/8	UC 319-60	P 319	58.41
UCP 320-64	4	5.516	19.313	15.000	4.750	1.406	1.969	2.165	10.813	4.252	1.654	1-1/8	UC 320-64	P 320	75.60

Pillow Blocks Type

UKP 200+H

(Diameter series 2)



Metric series

Unit No.	Shaft Dia. mm	Dimensions mm									Bolt Size mm	Bearing No.	Housing No.	Weight kg
		h	a	e	b	s ₁	s ₂	g	w	L				
UKP 205+H2305	20	36.5	140	105	38	13	16	16	70	35	M10	UK 205+H2305	P 205	0.84
UKP 206+H2306	25	42.9	165	121	48	17	21	18	83	38	M14	UK 206+H2306	P 206	1.4
UKP 207+H2307	30	47.6	167	127	48	17	21	19	94	43	M14	UK 207+H2307	P 207	1.6
UKP 208+H2308	35	49.2	184	137	54	17	25	19	100	46	M14	UK 208+H2308	P 208	2.1
UKP 209+H2309	40	54	190	146	54	17	22	20	108	50	M14	UK 209+H2309	P 209	2.4
UKP 210+H2310	45	57.2	206	159	60	20	25	22	114	55	M16	UK 210+H2310	P 210	2.8
UKP 211+H2311	50	63.5	219	171	60	20	25	22	126	59	M16	UK 211+H2311	P 211	3.4
UKP 212+H2312	55	69.8	241	184	70	20	25	25	138	62	M16	UK 212+H2312	P 212	4.8
UKP 213+H2313	60	76.2	265	203	70	25	29	27	150	65	M20	UK 213+H2313	P 213	5.7
UKP 215+H2315	65	82.6	275	217	74	25	31	28	163	73	M20	UK 215+H2315	P 215	8.3
UKP 216+H2316	70	88.9	292	232	78	25	31	30	175	78	M20	UK 216+H2316	P 216	10.4
UKP 217+H2317	75	95.2	310	247	83	25	31	32	187	82	M20	UK 217+H2317	P 217	12.8
UKP 218+H2318	80	101.6	327	262	88	27	33	34	200	86	M22	UK 218+H2318	P 218	15.1

Inch series

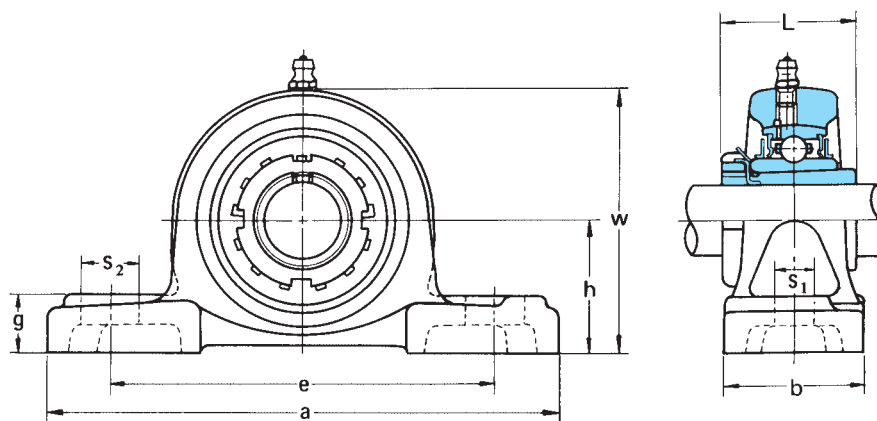
Unit No.	Shaft Dia. (inch)	Dimensions (inch)									Bolt Size (inch)	Bearing No.	Housing No.	Weight (lb.)
		h	a	e	b	s ₁	s ₂	g	w	L				
UKP 205+HE 2305 UKP 205+HA2305	3/4 13/16	1.438	5.500	4.125	1.500	0.500	0.625	0.625	2.750	1.378	3/8	UK 205+HE 2305 UK 205+HA2305	P 205	1.85
UKP 206+HS2306 UKP 206+HA2306 UKP 206+HE 2306	7/8 15/16 1	1.688	6.500	4.750	1.875	0.656	0.813	0.719	3.281	1.496	1/2	UK 206+HS2306 UK 206+HA2306 UK 206+HE 2306	P 206	3.09
UKP 207+HS2307 UKP 207+HA2307	1-1/8 1-3/16	1.875	6.563	5.000	1.875	0.656	0.813	0.750	3.688	1.693	1/2	UK 207+HS2307 UK 207+HA2307	P 207	3.53
UKP 208+HE 2308 UKP 208+HA2308 UKP 208+HS2308	1-1/4 1-5/16 1-3/8	1.938	7.250	5.375	2.125	0.656	1.000	0.750	3.938	1.811	1/2	UK 208+HE 2308 UK 208+HA2308 UK 208+HS2308	P 208	4.63
UKP 209+HA2309 UKP 209+HE 2309 UKP 209+HS2309	1-7/16 1-1/2 1-5/8	2.125	7.500	5.750	2.125	0.656	0.875	0.781	4.250	1.969	1/2	UK 209+HA2309 UK 209+HE 2309 UK 209+HS2309	P 209	5.29
UKP 210+HA2310 UKP 210+HE 2310	1-11/16 1-3/4	2.250	8.125	6.250	2.375	0.781	1.000	0.875	4.500	2.165	5/8	UK 210+HA2310 UK 210+HE 2310	P 210	6.17
UKP 211+HS2311 UKP 211+HA2311 UKP 211+HE 2311	1-7/8 1-15/16 2	2.500	8.625	6.750	2.375	0.781	1.000	0.875	4.969	2.323	5/8	UK 211+HS2311 UK 211+HA2311 UK 211+HE 2311	P 211	7.49
UKP 212+HA2312 UKP 212+HS2312	2-1/16 2-1/8	2.750	9.500	7.250	2.750	0.781	1.000	1.000	5.438	2.441	5/8	UK 212+HA2312 UK 212+HS2312	P 212	10.58
UKP 213+HA2313 UKP 213+HE 2313 UKP 213+HS2313	2-3/16 2-1/4 2-3/8	3.000	10.438	8.000	2.750	1.000	1.156	1.063	5.906	2.559	3/4	UK 213+HA2313 UK 213+HE 2313 UK 213+HS2313	P 213	12.56
UKP 215+HE 2315	2-1/2	3.250	10.813	8.500	2.938	1.000	1.219	1.094	6.406	2.874	3/4	UK 215+HE 2315	P 215	18.29
UKP 216+HE 2316	2-3/4	3.500	11.500	9.125	3.063	1.000	1.219	1.188	6.875	3.071	3/4	UK 216+HE 2316	P 216	22.92
UKP 217+HE 2317	3	3.750	12.188	9.750	3.250	1.000	1.219	1.250	7.375	3.228	3/4	UK 217+HE 2317	P 217	28.21
UKP 218+HE 2318	3-1/8	4.000	12.875	10.250	3.500	1.063	1.313	1.344	7.875	3.386	7/8	UK 218+HE 2318	P 218	33.28

Pillow Blocks

Type

UKP X00+H

(Diameter series X)



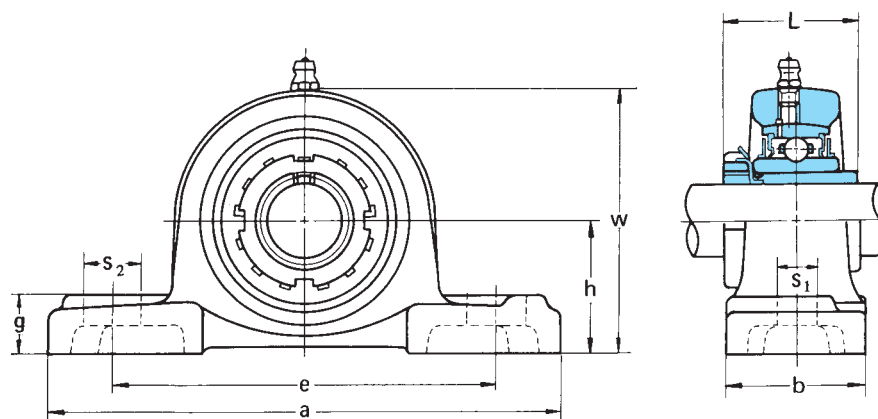
Metric series

Unit No.	Shaft Dia. mm	Dimensions mm									Bolt Size mm	Bearing No.	Housing No.	Weight kg
		h	a	e	b	s ₁	s ₂	g	w	L				
UKP X05+H2305	20	44.4	159	119	51	17	25	18	85	35	M14	UK X05+H2305	P X05	1.5
UKP X06+H2306	25	47.6	175	127	57	17	25	20	94	38	M14	UK X06+H2306	P X06	2.0
UKP X07+H2307	30	54	203	144	57	17	30	22	105	43	M14	UK X07+H2307	P X07	2.7
UKP X08+H2308	35	58.7	222	156	67	20	32	26	113	46	M16	UK X08+H2308	P X08	3.5
UKP X09+H2309	40	58.7	222	156	67	20	33	26	116	50	M16	UK X09+H2309	P X09	3.5
UKP X10+H2310	45	63.5	241	171	73	20	36	27	126	55	M16	UK X10+H2310	P X10	4.3
UKP X11+H2311	50	69.8	260	184	79	25	36	30	139	59	M20	UK X11+H2311	P X11	5.8
UKP X12+H2312	55	76.2	286	203	83	25	41	32	151	62	M20	UK X12+H2312	P X12	7.1
UKP X13+H2313	60	76.2	286	203	83	25	41	32	154	65	M20	UK X13+H2313	P X13	7.2
UKP X15+H2315	65	88.9	330	229	89	27	51	35	177	73	M22	UK X15+H2315	P X15	11.5
UKP X16+H2316	70	101.6	381	283	102	27	59	42	197	78	M22	UK X16+H2316	P X16	17.4
UKP X17+H2317	75	101.6	381	283	102	27	59	42	202	82	M22	UK X17+H2317	P X17	17.0
UKP X18+H2318	80	101.6	381	283	111	27	60	45	206	86	M22	UK X18+H2318	P X18	16.7
UKP X20+H2320	90	127	432	337	121	33	64	52	250	97	M27	UK X20+H2320	P X20	32.1

Inch series

Unit No.	Shaft Dia. (inch)	Dimensions (inch)									Bolt Size (inch)	Bearing No.	Housing No.	Weight (lb.)
		h	a	e	b	s ₁	s ₂	g	w	L				
UKP X05+HE 2305 UKP X05+HA2305	3/4 13/16	1.750	6.250	4.688	2.000	0.656	1.000	0.719	3.344	1.378	1/2	UK X05+HE 2305 UK X05+HA2305	P X05	3.31
UKP X06+HS2306 UKP X06+HA2306 UKP X06+HE 2306	7/8 15/16 1	1.875	6.875	5.000	2.250	0.656	1.000	0.781	3.688	1.496	1/2	UK X06+HS2306 UK X06+HA2306 UK X06+HE 2306	P X06	4.41
UKP X07+HS2307 UKP X07+HA2307	1-1/8 1-3/16	2.125	8.000	5.688	2.250	0.656	1.188	0.875	4.125	1.693	1/2	UK X07+HS2307 UK X07+HA2307	P X07	5.95
UKP X08+HE 2308 UKP X08+HA2308 UKP X08+HS2308	1-1/4 1-5/16 1-3/8	2.313	8.750	6.125	2.625	0.781	1.250	1.031	4.438	1.811	5/8	UK X08+HE 2308 UK X08+HA2308 UK X08+HS2308	P X08	7.71
UKP X09+HA2309 UKP X09+HE 2309 UKP X09+HS2309	1-7/16 1-1/2 1-5/8	2.313	8.750	6.125	2.625	0.781	1.313	1.031	4.563	1.969	5/8	UK X09+HA2309 UK X09+HE 2309 UK X09+HS2309	P X09	7.71
UKP X10+HA2310 UKP X10+HE 2310	1-11/16 1-3/4	2.500	9.500	6.750	2.875	0.781	1.438	1.063	4.969	2.165	5/8	UK X10+HA2310 UK X10+HE 2310	P X10	9.48
UKP X11+HS2311 UKP X11+HA2311 UKP X11+HE 2311	1-7/8 1-15/16 2	2.750	10.250	7.250	3.125	1.000	1.438	1.188	5.469	2.323	3/4	UK X11+HS2311 UK X11+HA2311 UK X11+HE 2311	P X11	12.78
UKP X12+HA2312 UKP X12+HS2312	2-1/16 2-1/8	3.000	11.250	8.000	3.250	1.000	1.625	1.250	5.938	2.441	3/4	UK X12+HA2312 UK X12+HS2312	P X12	15.65
UKP X13+HA2313 UKP X13+HE 2313 UKP X13+HS2313	2-3/16 2-1/4 2-3/8	3.000	11.250	8.000	3.250	1.000	1.625	1.250	6.063	2.559	3/4	UK X13+HA2313 UK X13+HE 2313 UK X13+HS2313	P X13	15.35
UKP X15+HE 2315	2-1/2	3.500	13.000	9.000	3.500	1.063	2.000	1.375	6.969	2.874	7/8	UK X15+HE 2315	P X15	25.48
UKP X16+HE 2316	2-3/4	4.000	15.000	11.125	4.000	1.063	2.313	1.656	7.750	3.071	7/8	UK X16+HE 2316	P X16	38.35
UKP X17+HE 2317	3	4.000	15.000	11.125	4.000	1.063	2.313	1.656	7.938	3.228	7/8	UK X17+HE 2317	P X17	37.47
UKP X18+HS2318	3-1/8	4.000	15.000	11.125	4.375	1.063	2.375	1.781	8.125	3.386	7/8	UK X18+HS2318	P X18	36.81
UKP X20+HE 2320	3-1/2	5.000	17.000	13.250	4.750	1.313	2.500	2.063	9.844	3.891	1	UK X20+HE 2320	P X20	70.75

Pillow Blocks Type UKP 300+H (Diameter series 3)



Metric series

Unit No.	Shaft Dia. mm	Dimensions mm									Bolt Size mm	Bearing No.	Housing No.	Weight kg
		h	a	e	b	s ₁	s ₂	g	w	L				
UKP 305+H2305	20	45	175	132	45	17	20	16	84	35	M14	UK 305+H2305	P 305	1.6
UKP 306+H2306	25	50	180	140	50	17	20	19	94	38	M14	UK 306+H2306	P 306	1.9
UKP 307+H2307	30	56	210	160	56	17	25	21	105	43	M14	UK 307+H2307	P 307	2.7
UKP 308+H2308	35	60	220	170	60	17	27	23	116	46	M14	UK 308+H2308	P 308	3.0
UKP 309+H2309	40	67	245	190	67	20	30	25	128	50	M16	UK 309+H2309	P 309	4.6
UKP 310+H2310	45	75	275	212	75	20	35	28	143	55	M16	UK 310+H2310	P 310	6.2
UKP 311+H2311	50	80	310	236	80	20	38	31	154	59	M16	UK 311+H2311	P 311	7.9
UKP 312+H2312	55	85	330	250	85	25	38	33	165	62	M20	UK 312+H2312	P 312	9.3
UKP 313+H2313	60	90	340	260	90	25	38	36	174	65	M20	UK 313+H2313	P 313	9.8
UKP 315+H2315	65	100	380	290	100	27	40	40	197	73	M22	UK 315+H2315	P 315	13.7
UKP 316+H2316	70	106	400	300	110	27	40	45	209	78	M22	UK 316+H2316	P 316	16.6
UKP 317+H2317	75	112	420	320	110	33	45	45	221	82	M27	UK 317+H2317	P 317	18.6
UKP 318+H2318	80	118	430	330	110	33	45	50	233	86	M27	UK 318+H2318	P 318	21.1
UKP 319+H2319	85	125	470	360	120	36	50	50	250	90	M30	UK 319+H2319	P 319	26.5
UKP 320+H2320	90	140	490	380	120	36	50	55	275	97	M30	UK 320+H2320	P 320	34.3
UKP 322+H2322	100	150	520	400	140	40	55	60	295	105	M33	UK 322+H2322	P 322	42.6
UKP 324+H2324	110	160	570	450	140	40	55	70	321	112	M33	UK 324+H2324	P 324	53.0
UKP 326+H2326	115	180	600	480	140	40	55	80	354	121	M33	UK 326+H2326	P 326	72.4
UKP 328+H2328	125	200	620	500	140	40	55	80	388	131	M33	UK 328+H2328	P 328	89.4

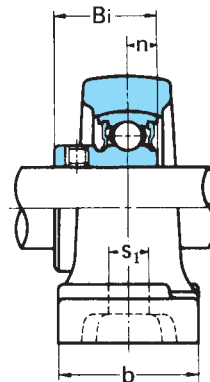
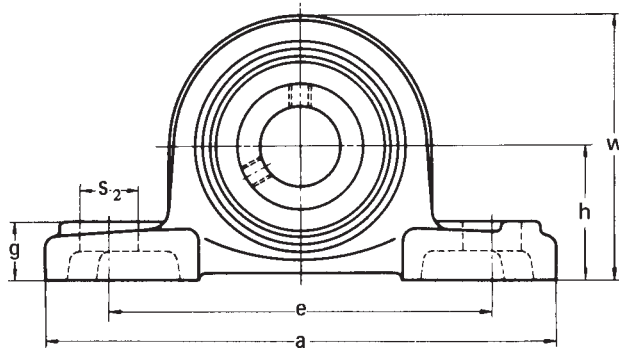
Inch series

Unit No.	Shaft Dia. (inch)	Dimensions (inch)									Bolt Size (inch)	Bearing No.	Housing No.	Weight (lb.)
		h	a	e	b	s ₁	s ₂	g	w	L				
UKP 305+HE 2305	3/4	1.766	6.875	5.250	1.750	0.656	0.781	0.625	3.297	1.378	1/2	UK 305+HE 2305	P 305	3.53
UKP 306+HE 2306	1	1.969	7.063	5.500	2.000	0.656	0.781	0.750	3.688	1.496	1/2	UK 306+HE 2306	P 306	4.19
UKP 307+HE 2307	1-1/8	2.203	8.250	6.250	2.250	0.656	1.000	0.813	4.125	1.693	1/2	UK 307+HE 2307	P 307	5.95
UKP 308+HE 2308	1-1/4	2.359	8.688	6.750	2.375	0.656	1.063	0.906	4.563	1.811	1/2	UK 308+HE 2308 UK 308+HS 2308	P 308	6.61
UKP 308+HS 2308														
UKP 309+HE 2309	1-1/2	2.641	9.625	7.500	2.625	0.781	1.188	1.000	5.031	1.969	5/8	UK 309+HE 2309 UK 309+HE 2309	P 309	10.14
UKP 309+HE 2309														
UKP 310+HE 2310	1-3/4	2.953	10.813	8.375	3.000	0.781	1.375	1.094	5.625	2.165	5/8	UK 310+HE 2310	P 310	13.66
UKP 311+HS 2311	1-7/8	3.156	12.188	9.250	3.125	0.781	1.500	1.219	6.063	2.323	5/8	UK 311+HS 2311 UK 311+HE 2311	P 311	17.41
UKP 311+HE 2311														
UKP 312+HS 2312	2-1/8	3.344	13.000	9.875	3.375	1.000	1.500	1.313	6.500	2.441	3/4	UK 312+HS 2312	P 312	20.50
UKP 313+HE 2313	2-1/4	3.547	13.375	10.250	3.500	1.000	1.500	1.406	6.844	2.559	3/4	UK 313+HE 2313 UK 313+HS 2313	P 313	21.60
UKP 313+HS 2313														
UKP 315+HE 2315	2-1/2	3.938	15.000	11.375	3.875	1.063	1.563	1.563	7.750	2.874	7/8	UK 315+HE 2315	P 315	30.19
UKP 316+HE 2316	2-3/4	4.172	15.750	11.750	4.375	1.063	1.563	1.781	8.219	3.071	7/8	UK 316+HE 2316	P 316	36.59
UKP 317+HE 2317	3	4.406	16.563	12.625	4.375	1.313	1.781	1.781	8.688	3.228	1	UK 317+HE 2317	P 317	40.99
UKP 318+HS 2318	3-1/8	4.641	16.938	13.000	4.375	1.313	1.781	1.969	9.188	3.368	1	UK 318+HS 2318	P 318	46.50
UKP 319+HE 2319	3-1/4	4.922	18.500	14.125	4.750	1.406	1.969	1.969	9.656	3.543	1-1/8	UK 319+HE 2319	P 319	58.41
UKP 320+HE 2320	3-1/2	5.516	19.313	15.000	4.750	1.406	1.969	2.165	10.813	3.819	1-1/8	UK 320+HE 2320	P 320	75.60
UKP 322+HE 2322	4	5.906	20.500	15.750	5.500	1.563	2.156	2.375	11.625	4.134	1-1/4	UK 322+HE 2322	P 322	93.89

Pillow Blocks Without Grease Nipple

Type

BP200, BLLP



Metric series

Unit No.	Shaft Dia. mm	Dimensions mm										Bolt Size mm	Bearing No.	Housing No.	Weight kg
		h	a	e	b	s ₁	s ₂	g	w	Bi	n				
BP 204	20	33.5	127	95	38	13	19	15	65	24.7	7	M10	B 4	P 204G00	0.61
BP 205	25	36.5	140	105	38	13	16	16	70	27.7	7.5	M10	B 5	P 205G00	0.76
BP 206	30	42.9	165	121	48	17	21	18	83	30.3	8	M14	B 6	P 206G00	1.2
BP 207	35	47.6	167	127	48	17	21	19	94	32.9	8.5	M14	B 7	P 207G00	1.6

Inch series

Unit No.	Shaft Dia. (inch)	Dimension (inch)										Bolt Size (UNF)	Bearing No.	Housing No.	Weight (lb.)
		h	a	e	b	s ₁	s ₂	g	w	Bi	n				
BP 204-12	3/4	1.313	5.000	3.750	0.500	0.500	0.750	0.594	1.563	0.972	0.276	10-32	B 4-12	P 204G00	1.34
BP 205-14	7/8	1.438	5.500	4.125	0.500	0.500	0.625	0.625	2.750	1.091	0.295	1/4-28	B 5-14	P 205G00	1.67
BP 205-16	1	1.438	5.500	4.125	0.500	0.500	0.625	0.625	2.750	1.091	0.295	1/4-28	B 5-16	P 205G00	1.67
BP 206-18	1-1/8	1.688	6.500	4.750	0.875	0.656	0.813	0.719	3.250	1.193	0.315	1/4-28	B 6-18	P 206G00	2.64
BP 207-20	1-1/4	1.875	6.563	5.000	0.875	0.656	0.813	0.719	3.250	1.295	0.335	5/16-24	B 7-20	P 207G00	3.52
BP 207-22	1-3/8	1.875	6.563	5.000	0.875	0.656	0.813	0.750	3.688	1.295	0.335	5/16-24	B 7-22	P 207G00	3.52

Metric series

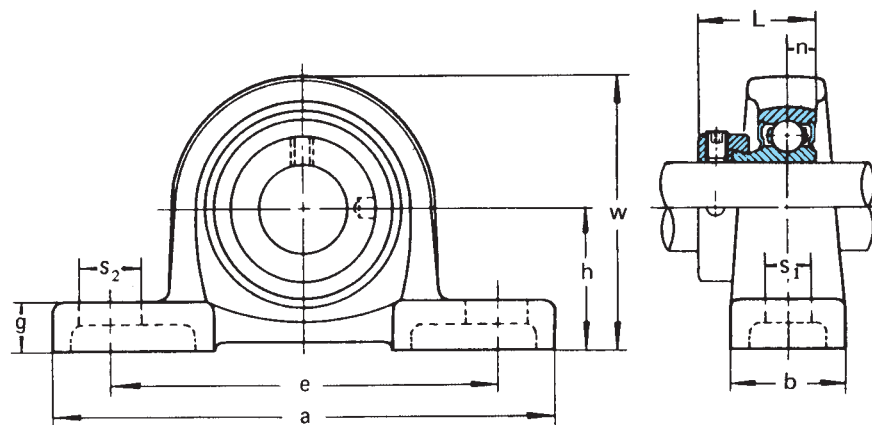
Unit No.	Shaft Dia. mm	Dimensions mm										Bolt Size mm	Bearing No.	Housing No.	Weight (kg)
		h	a	e	b	s ₁	s ₂	g	w	Bi	n				
BLLP 1J	12	30.2	114	87	25	12	16	12	57	22	6	M10	B 1	LLP 3J	0.39
BLLP 2J	15	30.2	114	87	25	12	16	12	57	22	6	M10	B 2	LLP 3J	0.38
BLLP 3J	17	30.2	114	87	25	12	16	12	57	22	6	M10	B 3	LLP 3J	0.36
BLLP 4J	20	33.3	125	97	27	12	16	13	64	24.7	7	M10	B 4	LLP 4J	0.48
BLLP 5J	25	36.5	130	100	29	12	16	13	70	27.7	7.5	M10	B 5	LLP 5J	0.59
BLLP 6J	30	42.9	156	120	33	14	21	15	83	30.3	8	M12	B 6	LLP 6J	0.70
BLLP 7J	35	47.6	165	127	35	14	21	16	93	32.9	8.5	M12	B 7	LLP 7J	0.98

Inch series

Unit No.	Shaft Dia. (inch)	Dimensions (inch)										Bolt Size (inch)	Bearing No.	Housing No.	Weight (lb.)
		h	a	e	b	s ₁	s ₂	g	w	Bi	n				
BLLP 1-8J	1/2	1.188	4.500	3.422	1.000	0.469	0.625	0.469	2.250	0.866	0.236	3/8	B 1-8	LLP 3J	0.86
BLLP 2-9J	9/16												0.84		
BLLP 2-10J	5/8												0.84		
BLLP 3-11J	11/16												0.79		
BLLP 4-12J	3/4	1.313	4.922	3.813	1.063	0.469	0.625	0.516	2.516	0.972	0.276	3/8	B 4-12	LLP 4J	1.06
BLLP 5-14J	7/8	1.438	5.125	3.938	1.141	0.469	0.625	0.516	2.750	1.091	0.295	3/8	B 5-14	LLP 5J	1.31
BLLP 5-15J	15/16												1.31		
BLLP 5-16J	1												1.31		
BLLP 6-18J	1-1/8	1.688	6.141	4.719	1.297	0.547	0.828	0.594	3.266	1.193	0.315	1/2	B 6-18	LLP 6J	1.55
BLLP 6-19J	1-3/16												1.55		
BLLP 7-20J	1-1/4	1.875	6.500	5.000	1.375	0.547	0.828	0.625	3.656	1.295	0.335	1/2	B 7-20	LLP 7J	2.17
BLLP 7-21J	1-5/16												2.17		
BLLP 7-22J	1-3/8												2.17		
BLLP 7-23J	1-7/16												2.17		

Pillow Blocks Type

KHLLP



Metric series

Unit No.	Shaft Dia. mm	Dimensions mm										Bolt Size mm	Bearing No.	Housing No.	Weight (kg)
		h	a	e	b	s ₁	s ₂	g	w	L	n				
KHLLP 201 AJ	12	30.2	114	87	25	12	16	12	57	28.6	6.5	M10	KH 201 AE	LLP 3 J	0.41
KHLLP 202 AJ	15	30.2	114	87	25	12	16	12	57	28.6	6.5	M10	KH 202 AE	LLP 3 J	0.40
KHLLP 203 AJ	17	30.2	114	87	25	12	16	12	57	28.6	6.5	M10	KH 203 AE	LLP 3 J	0.39
KHLLP 204 AJ	20	33.5	125	97	27	12	16	13	64	31.0	7.5	M10	KH 204 AE	LLP 4 J	0.52
KHLLP 205 AJ	25	36.5	130	100	29	12	16	13	70	31.0	7.5	M10	KH 205 AE	LLP 5 J	0.63
KHLLP 206 AJ	30	42.9	156	120	33	14	21	15	83	35.7	9.0	M12	KH 206 AE	LLP 6 J	0.76
KHLLP 207 AJ	35	47.6	165	127	35	14	21	16	93	38.9	9.5	M12	KH 207 AE	LLP 7 J	1.09

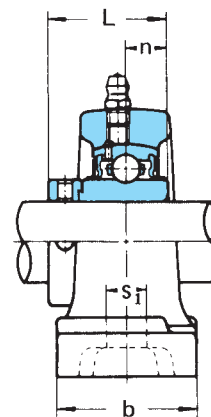
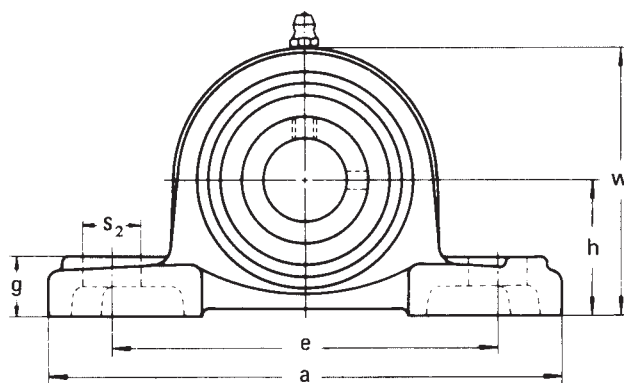
Inch series

Unit No.	Shaft Dia. (inch)	Dimensions (inch)										Bolt Size (inch)	Bearing No.	Housing No.	Weight (lb.)
		h	a	e	b	s ₁	s ₂	g	w	L	n				
KHLLP 201-8 AJ	1/2	1.188	4.484	3.422	0.984	0.469	0.625	0.469	2.250	1.125	0.256	3/8	KH 201-8 AE	LLP 3 J	0.90
KHLLP 202-9 AJ	9/16												KH 202-9 AE	LLP 3 J	0.88
KHLLP 203-11 AJ	5/8												KH 203-11 AE	LLP 3 J	0.88
KHLLP 204-12 AJ	11/16	1.313	4.922	3.813	1.063	0.469	0.625	0.516	2.516	1.219	0.295	3/8	KH 204-12 AE	LLP 4 J	1.14
KHLLP 205-14 AJ	3/4												KH 205-14 AE	LLP 5 J	1.39
KHLLP 205-15 AJ	7/8												KH 205-15 AE	LLP 5 J	1.39
KHLLP 205-16 AJ	15/16	1.438	5.125	3.938	1.141	0.469	0.625	0.516	2.750	1.219	0.295	3/8	KH 205-16 AE	LLP 5 J	1.39
KHLLP 206-18 AJ	1												KH 206-18 AE	LLP 6 J	1.67
KHLLP 206-19 AJ	1-1/8												KH 206-19 AE	LLP 6 J	1.67
KHLLP 206-20 AJ	1-3/16	1.688	6.141	4.719	1.297	0.547	0.828	0.594	3.266	1.406	0.354	1/2	KH 206-20 AE	LLP 6 J	1.67
KHLLP 207-20 AJ	1-1/4												KH 207-20 AE	LLP 7 J	2.40
KHLLP 207-21 AJ	1-5/16												KH 207-21 AE	LLP 7 J	2.40
KHLLP 207-22 AJ	1-3/8	1.875	6.500	5.000	1.375	0.547	0.828	0.625	3.656	1.531	0.374	1/2	KH 207-22 AE	LLP 7 J	2.40
KHLLP 207-23 AJ	1-7/16												KH 207-23 AE	LLP 7 J	2.40

Pillow Blocks

Type

UGP 200



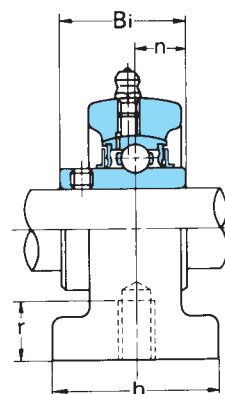
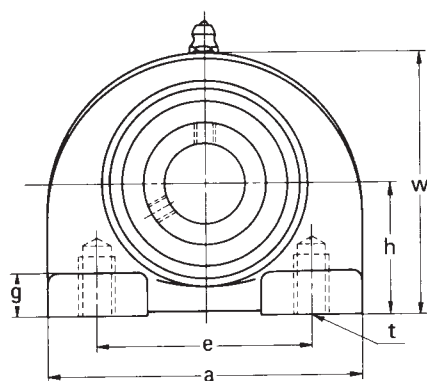
Metric series

Unit No.	Shaft Dia. mm	Dimensions mm										Bolt Size mm	Bearing No.	Housing No.	Weight (kg)
		h	a	e	b	s ₁	s ₂	g	w	L	n				
UGP 204	20	33.3	127	95	38	13	19	15	65	43.7	17.1	M10	UG 204+ER	P 204	0.7
UGP 205	25	36.5	140	105	38	13	16	16	70	44.4	17.5	M10	UG 205+ER	P 205	0.83
UGP 206	30	42.9	165	121	48	17	21	18	83	48.4	18.3	M14	UG 206+ER	P 206	1.3
UGP 207	35	47.6	167	127	48	17	21	19	94	51.1	18.8	M14	UG 207+ER	P 207	1.7
UGP 208	40	49.2	184	137	54	17	25	19	100	56.3	21.4	M14	UG 208+ER	P 208	2.1
UGP 209	45	54.0	190	146	54	17	22	20	108	56.3	21.4	M14	UG 209+ER	P 209	2.3
UGP 210	50	57.2	206	159	60	20	25	22	114	62.7	24.6	M16	UG 210+ER	P 210	2.7
UGP 211	55	63.5	219	171	60	20	25	22	126	71.4	27.8	M16	UG 211+ER	P 211	3.5
UGP 212	60	69.8	241	184	70	20	25	25	138	77.8	31.0	M16	UG 212+ER	P 212	5.0

Inch series

Unit No.	Shaft Dia. (inch)	Dimensions (inch)										Bolt Size (inch)	Bearing No.	Housing No.	Weight (lb.)
		h	a	e	b	s ₁	s ₂	g	w	L	n				
UGP 204-12	3/4	1.313	5.000	3.750	1.500	0.500	0.750	0.594	2.563	1.720	0.673	3/8	UG 204-12+ER	P 204	1.54
UGP 205-14	7/8	1.438	5.500	4.125	1.500	0.500	0.625	0.625	2.750	1.748	0.689	3/8	UG 205-14+ER	P 205	1.89
UGP 205-16	1												UG 205-16+ER		1.83
UGP 206-18	1-1/8	1.688	6.500	4.750	1.875	0.656	0.813	0.719	3.281	1.906	0.720	1/2	UG 206-18+ER	P 206	3.13
UGP 207-20	1-1/4	1.875	6.563	5.000	1.875	0.656	0.813	0.750	3.688	2.012	0.740	1/2	UG 207-20+ER	P 207	3.86
UGP 207-22	1-3/8												UG 207-22+ER		3.75
UGP 208-24	1-1/2	1.938	7.250	5.375	2.125	0.656	1.000	0.750	3.938	2.217	0.843	1/2	UG 208-24+ER	P 208	4.96
UGP 209-26	1-5/8	2.125	7.500	5.750	2.125	0.656	0.875	0.781	4.250	2.217	0.843	1/2	UG 209-26+ER	P 209	5.51
UGP 209-28	1-3/4												UG 209-28+ER		5.33
UGP 210-30	1-7/8	2.250	8.125	6.260	2.375	0.781	1.000	0.875	4.500	2.469	0.969	5/8	UG 210-30+ER	P 210	6.33
UGP 211-32	2	2.500	8.625	6.750	2.375	0.781	1.000	0.875	4.969	2.813	1.094	5/8	UG 211-32+ER	P 211	7.76
UGP 211-34	2-1/8												UG 211-34+ER		7.76
UGP 212-36	2-1/4	2.750	9.500	7.250	2.750	0.781	1.000	1.000	5.438	3.063	1.219	5/8	UG 212-36+ER	P 212	11.08
UGP 212-38	2-3/8												UG 212-38+ER		11.08

Pillow Blocks Type UCPA 200



Metric series

Unit No.	Shaft Dia. mm	Dimensions mm									Bolt Size mm t	Bearing No.	Housing No.	Weight kg
		h	a	e	b	r	g	w	Bi	n				
UCPA 201	12	30.2	76	52	40	12	11	62	31	12.7	M10x1.5	UC 201	PA 204	0.65
UCPA 202	15	30.2	76	52	40	12	11	62	31	12.7	M10x1.5	UC 202	PA 204	0.63
UCPA 203	17	30.2	76	52	40	12	11	62	31	12.7	M10x1.5	UC 203	PA 204	0.62
UCPA 204	20	30.2	76	52	40	12	11	62	31	12.7	M10x1.5	UC 204	PA 204	0.60
UCPA 205	25	36.5	84	56	45	15	12	72	34	14.3	M10x1.5	UC 205	PA 205	0.81
UCPA 206	30	42.9	94	66	50	18	12	84	38.1	15.9	M14x2	UC 206	PA 206	1.2
UCPA 207	35	47.6	110	80	55	20	13	95	42.9	17.5	M14x2	UC 207	PA 207	1.7
UCPA 208	40	49.2	116	84	58	20	13	100	49.2	19	M14x2	UC 208	PA 208	1.9
UCPA 209	45	54.2	120	90	60	22	13	108	49.2	19	M14x2	UC 209	PA 209	2.2
UCPA 210	50	57.2	130	94	64	25	14	116	51.6	19	M16x2	UC 210	PA 210	2.6

Inch series

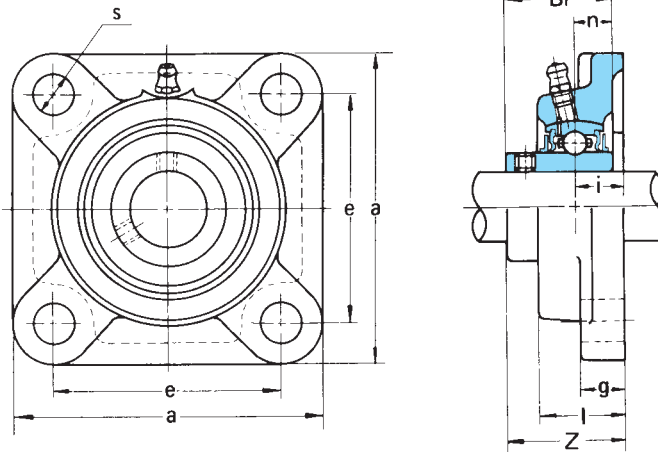
Unit No.	Shaft Dia. (inch)	Dimensions (inch)									Bolt Size	Bearing No.	Housing No.	Weight (lb.)
		h	a	e	b	r	g	w	Bi	n				
UCPA 201-8	1/2	1.188	3.000	2.047	1.563	0.500	0.438	2.438	1.220	0.500	M10x1.5	UC 201-8	PA 204	1.43
UCPA 202-9	9/16											1.39		
UCPA 202-10	5/8											1.39		
UCPA 203-11	11/16											1.37		
UCPA 204-12	3/4	1.188	3.000	2.047	1.563	0.500	0.438	2.438	1.220	0.500	M10x1.5	UC 204-12	PA 204	1.32
UCPA 205-14	7/8	1.438	3.313	2.203	1.750	0.563	0.500	2.844	1.339	0.563	M10x1.5	UC 205-14	PA 205	1.79
UCPA 205-15	15/16													
UCPA 205-16	1													
UCPA 206-17	1-1/16	1.688	3.688	2.594	1.938	0.688	0.500	3.313	1.500	0.626	M14x2	UC 206-17	PA 206	2.64
UCPA 206-18	1-1/8													
UCPA 206-19	1-3/16													
UCPA 207-20	1-1/4	1.875	4.313	3.156	2.188	0.813	0.500	3.750	1.689	0.689	M14x2	UC 207-20	PA 207	3.75
UCPA 207-21	1-5/16													
UCPA 207-22	1-3/8													
UCPA 207-23	1-7/16													
UCPA 208-24	1-1/2	1.938	4.563	3.313	2.313	0.813	0.500	3.938	1.937	0.748	M14x2	UC 208-24	PA 208	4.19
UCPA 208-25	1-9/16													
UCPA 209-26	1-5/8	2.141	4.750	3.547	2.375	0.875	0.500	4.250	1.937	0.748	M14x2	UC 209-26	PA 209	4.85
UCPA 209-27	1-11/16													
UCPA 209-28	1-3/4													
UCPA 210-30	1-7/8	2.250	5.125	3.703	2.500	1.000	0.563	4.563	2.032	0.748	M16x2	UC 210-30	PA 210	5.73
UCPA 210-31	1-15/16													

Square Flange Units

Type

UCF 200

(Diameter series 2)



Metric series

Unit No.	Shaft Dia. mm	Dimensions mm										Bolt Size mm	Bearing No.	Housing No.	Weight kg
		a	e	i	g	l	s	Z	Bi	n					
UCF 201	12	86	64	15	12	25.5	12	33.3	31	12.7	M10	UC 201	F 204	0.64	
UCF 202	15	86	64	15	12	25.5	12	33.3	31	12.7	M10	UC 202	F 204	0.62	
UCF 203	17	86	64	15	12	25.5	12	33.3	31	12.7	M10	UC 203	F 204	0.61	
UCF 204	20	86	64	15	12	25.5	12	33.3	31	12.7	M10	UC 204	F 204	0.59	
UCF 205	25	95	70	16	14	27	12	35.7	34	14.3	M10	UC 205	F 205	0.82	
UCF 206	30	108	83	18	14	31	12	40.2	38.1	15.9	M10	UC 206	F 206	1.1	
UCF 207	35	117	92	19	16	34	14	44.4	42.9	17.5	M12	UC 207	F 207	1.5	
UCF 208	40	130	102	21	16	36	16	51.2	49.2	19	M14	UC 208	F 208	2.0	
UCF 209	45	137	105	22	18	38	16	52.2	49.2	19	M14	UC 209	F 209	2.4	
UCF 210	50	143	111	22	18	40	16	54.6	51.6	19	M14	UC 210	F 210	2.5	
UCF 211	55	162	130	25	20	43	19	58.4	55.6	22.2	M16	UC 211	F 211	3.4	
UCF 212	60	175	143	29	20	48	19	68.7	65.1	25.4	M16	UC 212	F 212	4.6	
UCF 213	65	187	149	30	20	50	19	69.7	65.1	25.4	M16	UC 213	F 213	5.5	
UCF 214	70	193	152	31	24	54	19	75.4	74.6	30.2	M16	UC 214	F 214	6.1	
UCF 215	75	200	159	34	24	56	19	78.5	77.8	33.3	M16	UC 215	F 215	6.9	
UCF 216	80	208	165	34	24	58	23	83.3	82.6	33.3	M20	UC 216	F 216	7.8	
UCF 217	85	220	175	36	26	63	23	87.6	85.7	34.1	M20	UC 217	F 217	9.3	
UCF 218	90	235	187	40	26	68	23	96.3	96	39.7	M20	UC 218	F 218	11.3	

Inch series

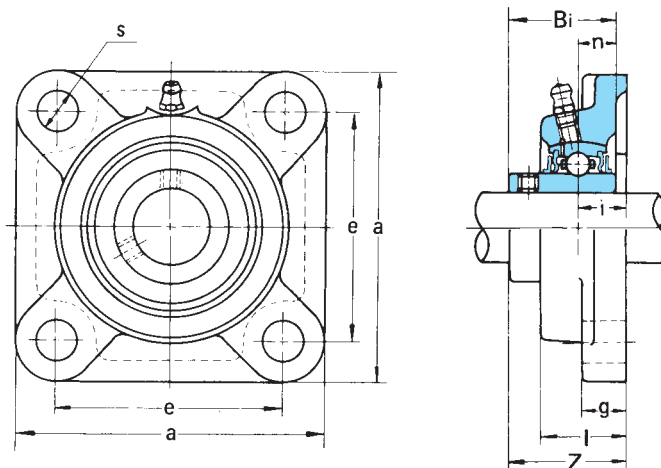
Unit No.	Shaft Dia. (inch)	Dimensions (inch)										Bolt Size (inch)	Bearing No.	Housing No.	Weight (lb.)	
		a	e	i	g	l	s	Z	Bi	n						
UCF 201-8	1/2															1.41
UCF 202-9	9/16	3.375	2.500	0.591	0.469	1.000	0.469	1.311	1.220	0.500	3/8	UC 201-8 UC 202-9	F 204		1.37	
UCF 202-10	5/8											UC 202-10			1.37	
UCF 203-11	11/16											UC 203-11			1.34	
UCF 204-12	3/4	3.375	2.500	0.591	0.469	1.000	0.469	1.311	1.220	0.500	3/8	UC 204-12	F 204		1.30	
UCF 205-14	7/8											UC 205-14				
UCF 205-15	15/16	3.750	2.750	0.630	0.563	1.063	0.469	1.406	1.339	0.563	3/8	UC 205-15	F 205		1.81	
UCF 205-16	1											UC 205-16				
UCF 206-17	1-1/16											UC 206-17				
UCF 206-18	1-1/8	4.250	3.250	0.709	0.563	1.219	0.469	1.583	1.500	0.626	3/8	UC 206-18	F 206		2.42	
UCF 206-19	1-3/16											UC 206-19				
UCF 207-20	1-1/4											UC 207-20				
UCF 207-21	1-5/16	4.625	3.625	0.748	0.625	1.344	0.547	1.748	1.689	0.689	1/2	UC 207-21	F 207		3.31	
UCF 207-22	1-3/8											UC 207-22				
UCF 207-23	1-7/16											UC 207-23				
UCF 208-24	1-1/2											UC 208-24				
UCF 208-25	1-9/16	5.125	4.000	0.827	0.625	1.406	0.625	2.016	1.937	0.748	1/2	UC 208-25	F 208		4.41	
UCF 209-26	1-5/8											UC 209-26				
UCF 209-27	1-11/16	5.375	4.125	0.866	0.719	1.500	0.625	2.055	1.937	0.748	1/2	UC 209-27	F 209		5.29	
UCF 209-28	1-3/4											UC 209-28				
UCF 210-30	1-7/8											UC 210-30				
UCF 210-31	1-15/16	5.625	4.375	0.866	0.719	1.563	0.625	2.150	2.032	0.748	1/2	UC 210-31	F 210		5.51	
UCF 211-32	2											UC 211-32				
UCF 211-34	2-1/8	6.375	5.125	0.984	0.781	1.688	0.750	2.299	2.189	0.874	5/8	UC 211-34	F 211		7.49	
UCF 211-35	2-3/16											UC 211-35				
UCF 211-36	2-1/4											UC 212-36				
UCF 212-38	2-3/8	6.875	5.625	1.142	0.781	1.875	0.750	2.705	2.563	1.000	5/8	UC 212-38	F 212		10.14	
UCF 212-39	2-7/16											UC 212-39				
UCF 213-40	2-1/2	7.375	5.875	1.181	0.781	1.969	0.750	2.744	2.563	1.000	5/8	UC 213-40	F 213		12.12	
UCF 214-44	2-3/4	7.625	6.000	1.220	0.938	2.125	0.750	2.969	2.937	1.189	5/8	UC 214-44	F 214		13.44	
UCF 215-48	3	7.875	6.125	1.339	0.938	2.219	0.750	3.091	3.063	1.311	5/8	UC 215-48	F 215		15.21	
UCF 216-50	3-1/8	8.188	6.500	1.339	0.938	2.281	0.906	3.280	3.252	1.311	3/4	UC 216-50	F 216		17.19	
UCF 217-52	3-1/4	8.688	6.875	1.417	1.031	2.469	0.906	3.449	3.374	1.343	3/4	UC 217-52	F 217		20.50	
UCF 218-56	3-1/2	9.250	7.375	1.575	1.031	2.688	0.906	3.791	3.780	1.563	3/4	UC 218-56	F 218		24.91	

Square Flange Units

Type

UCF X00

(Diameter series X)



Metric series

Unit No.	Shaft Dia. mm	Dimensions mm									Bolt Size mm	Bearing No.	Housing No.	Weight kg
		a	e	i	g	l	s	Z	Bi	n				
UCF X05	25	108	83	18	13	30	12	40.2	38.1	15.9	M10	UC X05	F X05	1.1
UCF X06	30	117	92	19	14	34	16	44.4	42.9	17.5	M14	UC X06	F X06	1.3
UCF X07	35	130	102	21	14	38	16	51.2	49.2	19	M14	UC X07	F X07	1.8
UCF X08	40	137	105	22	14	40	19	52.2	49.2	19	M16	UC X08	F X08	11.8
UCF X09	45	143	111	23	14	40	19	55.6	51.6	19	M16	UC X09	F X09	2.4
UCF X10	50	162	130	26	20	44	19	59.4	55.6	22.2	M16	UC X10	F X10	3.6
UCF X11	55	175	143	29	20	49	19	68.7	65.1	25.4	M16	UC X11	F X11	4.5
UCF X12	60	187	149	34	21	59	19	73.7	65.1	25.4	M16	UC X12	F X12	5.3
UCF X13	65	187	149	34	21	59	19	78.4	74.6	30.2	M16	UC X13	F X13	5.5
UCF X14	70	197	152	37	24	60	23	81.5	77.8	33.3	M20	UC X14	F X14	7.7
UCF X15	75	197	152	40	24	68	23	89.3	82.6	33.3	M20	UC X15	F X15	7.7
UCF X16	80	214	171	40	24	70	23	91.6	85.7	34.1	M20	UC X16	F X16	10.2
UCF X17	85	214	171	40	24	70	23	96.3	96	39.7	M20	UC X17	F X17	10.2
UCF X18	90	214	171	45	24	76	23	106.1	104	42.9	M20	UC X18	F X18	10.6
UCF X20	100	268	211	59	31	97	31	127.3	117.5	49.2	M27	UC X20	F X20	16.8

Inch series

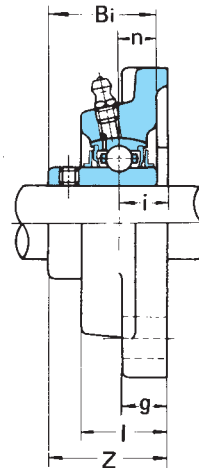
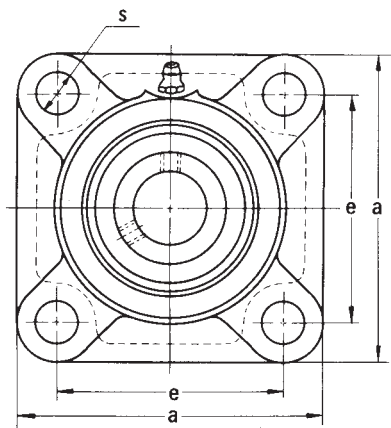
Unit No.	Shaft Dia. (inch)	Dimensions (inch)									Bolt Size (inch)	Bearing No.	Housing No.	Weight (lb.)
		a	e	i	g	l	s	Z	Bi	n				
UCF X05-14 X05-15 X05-16	7/8 15/16 1	4.250	3.250	0.709	0.500	1.188	0.469	1.583	1.500	0.626	3/8	UC X05-14 X05-15 X05-16	F X05	2.42
UCF X06-18 X06-19 X06-20	1-1/8 1-3/16 1-1/4	4.625	3.625	0.748	0.563	1.344	0.625	1.748	1.689	0.689	1/2	UC X06-18 X06-19 X06-20	F X06	2.87
UCF X07-22 X07-23	1-3/8 1-7/16	5.125	4.000	0.827	0.563	1.500	0.625	2.016	1.937	0.748	1/2	UC X07-22 X07-23	F X07	3.97
UCF X08-24	1-1/2	5.375	4.125	0.866	0.563	1.563	0.750	2.055	1.937	0.748	5/8	UC X08-24	F X08	3.97
UCF X09-26 X09-27 X09-28	1-5/8 1-11/16 1-3/4	5.625	4.375	0.906	0.563	1.563	0.750	2.189	2.032	0.748	5/8	UC X09-26 X09-27 X09-28	F X09	5.29
UCF X10-30 X10-31 X10-32	1-7/8 1-15/16 2	6.375	5.125	1.024	0.781	1.750	0.750	2.339	2.189	0.874	5/8	UC X10-30 X10-31 X10-32	F X10	7.93
UCF X11-34 X11-35 X11-36	2-1/8 2-3/16 2-1/4	6.875	5.625	1.142	0.781	1.938	0.750	2.705	2.563	1.000	5/8	UC X11-34 X11-35 X11-36	F X11	9.92
UCF X12-38 X12-39	2-3/8 2-7/16	7.375	5.875	1.339	0.813	2.313	0.750	2.902	2.563	1.000	5/8	UC X12-38 X12-39	F X12	11.68
UCF X13-40	2-1/2	7.375	5.875	1.339	0.813	2.313	0.750	3.087	2.937	1.189	5/8	UC X13-40	F X13	12.12
UCF X14-43 X14-44	2-11/16 2-3/4	7.750	6.000	1.457	0.938	2.375	0.906	3.209	3.063	1.311	3/4	UC X14-43 X14-44	F X14	16.97
UCF X15-47 X15-48	2-15/16 3	7.750	6.000	1.575	0.938	2.688	0.906	3.516	3.252	1.311	3/4	UC X15-47 X15-48	F X15	16.97
UCF X16-51	3-3/16	8.438	6.750	1.575	0.938	2.750	0.906	3.606	3.374	1.343	3/4	UC X16-51	F X16	22.48
UCF X17-52 X17-55	3-1/4 3-7/16	8.438	6.750	1.575	0.938	2.750	0.906	3.791	3.780	1.563	3/4	UC X17-52 X17-55	F X17	22.48
UCF X18-56	3-1/2	8.438	6.750	1.772	0.938	3.000	0.906	4.177	4.094	1.689	3/4	UC X18-56	F X18	23.36
UCF X20-63 X20-64	3-15/16 4	10.563	8.313	2.323	1.219	3.813	1.219	5.012	4.626	1.937	1	UC X20-63 X20-64	F X20	37.03

Square Flange Units

Type

UCF 300

(Diameter series 3)



Metric series

Unit No.	Shaft Dia. mm	Dimensions mm									Bolt Size mm	Bearing No.	Housing No.	Weight kg
		a	e	i	g	l	s	Z	Bi	n				
UCF 305	25	110	80	16	13	29	16	39	38	15	M14	UC 305	F 305	1.2
UCF 306	30	125	95	18	15	32	16	44	43	17	M14	UC 306	F 306	1.7
UCF 307	35	135	100	20	16	36	19	49	48	19	M16	UC 307	F 307	2.1
UCF 308	40	150	112	23	17	40	19	56	52	19	M16	UC 308	F 308	2.9
UCF 309	45	160	125	25	18	44	19	60	57	22	M16	UC 309	F 309	3.6
UCF 310	50	175	132	28	19	48	23	67	61	22	M20	UC 310	F 310	4.7
UCF 311	55	185	140	30	20	52	23	71	66	25	M20	UC 311	F 311	5.7
UCF 312	60	195	150	33	22	56	23	78	71	26	M20	UC 312	F 312	6.8
UCF 313	65	208	166	33	22	58	23	78	75	30	M20	UC 313	F 313	7.8
UCF 314	70	226	178	36	25	61	25	81	78	33	M22	UC 314	F 314	9.6
UCF 315	75	236	184	39	25	66	25	89	82	32	M22	UC 315	F 315	11.7
UCF 316	80	250	196	38	27	68	31	90	86	34	M27	UC 316	F 316	13.7
UCF 317	85	260	204	44	27	74	31	100	96	40	M27	UC 317	F 317	15.2
UCF 318	90	280	216	44	30	76	35	100	96	40	M30	UC 318	F 318	18.8
UCF 319	95	290	228	59	30	94	35	121	103	41	M30	UC 319	F 319	20.7
UCF 320	100	310	242	59	32	94	38	125	108	42	M33	UC 320	F 320	24.8
UCF 321	105	310	242	59	32	94	38	127	112	44	M33	UC 321	F 321	25.6
UCF 322	110	340	266	60	35	96	41	131	117	46	M36	UC 322	F 322	34.7
UCF 324	120	370	290	65	40	110	41	140	126	51	M36	UC 324	F 324	47.2
UCF 326	130	410	320	65	45	115	41	146	135	54	M36	UC 326	F 326	62.7
UCF 328	140	450	350	75	55	125	41	161	145	59	M36	UC 328	F 328	87.0

Inch series

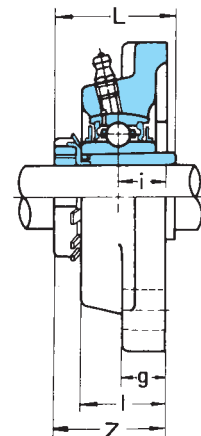
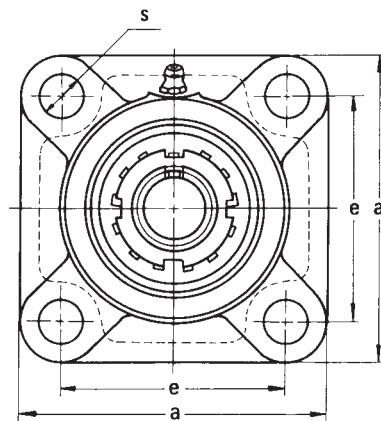
Unit No.	Shaft Dia. (inch)	Dimensions (inch)									Bolt Size (inch)	Bearing No.	Housing No.	Weight (lb.)
		a	e	i	g	l	s	Z	Bi	n				
UCF 305-14 305-16	7/8 1	4.313	3.156	0.630	0.500	1.156	0.625	1.535	1.496	0.591	1/2	UC 305-14 305-16	P 305	2.64
UCF 306-18	1-1/8	4.938	3.734	0.709	0.594	1.250	0.625	1.732	1.693	0.669	1/2	UC 306-18	P 306	3.75
UCF 307-20 307-22	1-1/4 1-3/8	5.313	3.938	0.787	0.625	1.406	0.750	1.929	1.890	0.748	5/8	UC 307-20 307-22	P 307	4.63
UCF 308-24	1-1/2	5.875	4.406	0.906	0.656	1.563	0.750	2.205	2.047	0.748	5/8	UC 308-24	P 308	6.39
UCF 309-26 309-28	1-5/8 1-3/4	6.313	4.922	0.984	0.719	1.719	0.750	2.362	2.244	0.866	5/8	UC 309-26 309-28	P 309	7.93
UCF 310-30	1-7/8	6.875	5.203	1.102	0.750	1.875	0.906	2.638	2.402	0.866	3/4	UC 310-30	P 310	10.36
UCF 311-32 311-34	2 2-1/8	7.313	5.516	1.181	0.781	2.063	0.906	2.795	2.598	0.984	3/4	UC 311-32 311-34	P 311	12.56
UCF 312-36 312-38	2-1/4 2-3/8	7.688	5.906	1.299	0.875	2.219	0.906	3.071	2.795	1.024	3/4	UC 312-36 312-38	P 312	14.99
UCF 313-40	2-1/2	8.188	6.531	1.299	0.875	2.281	0.906	3.071	2.953	1.181	3/4	UC 313-40	P 313	17.19
UCF 314-44	2-3/4	8.875	7.016	1.417	1.000	2.406	0.984	3.189	3.071	1.299	7/8	UC 314-44	P 314	21.16
UCF 315-48	3	9.313	7.250	1.535	1.000	2.594	0.984	3.504	3.228	1.260	7/8	UC 315-48	P 315	25.79
UCF 316-50	3-1/8	9.813	7.719	1.496	1.063	2.688	1.219	3.543	3.386	1.339	1	UC 316-50	P 316	30.19
UCF 317-52	3-1/4	10.250	8.031	1.732	1.063	2.906	1.219	3.937	3.780	1.575	1	UC 317-52	P 317	33.50
UCF 318-56	3-1/2	11.000	8.500	1.732	1.188	3.000	1.375	3.937	3.780	1.575	1-1/8	UC 318-56	P 318	41.44
UCF 319-60	3-3/4	11.438	8.969	2.323	1.188	3.688	1.375	4.764	4.055	1.614	1-1/8	UC 319-60	P 319	45.62
UCF 320-64	4	12.188	9.531	2.323	1.250	3.688	1.500	4.921	4.252	1.654	1-1/4	UC 320-64	P 320	54.66

Square Flange Units

Type

UKF 200+H

(Normal duty)



Metric series

Unit No.	Shaft Dia. mm	Dimensions mm								Bolt Size mm	Bearing No.	Housing No.	Weight kg
		a	e	i	g	l	s	Z	L				
UKF 205+H2305	20	95	70	16	14	27	12	35.5	35	10	UK 205+H2305	F 205	0.87
UKF 206+H2306	25	108	83	18	14	31	12	39	38	10	UK 206+H2306	F 206	1.21
UKF 207+H2307	30	117	92	19	16	34	14	42.5	43	12	UK 207+H2307	F 207	1.54
UKF 208+H2308	35	130	102	21	16	36	16	45.5	46	14	UK 208+H2308	F 208	2.11
UKF 209+H2309	40	137	105	22	18	38	16	48	50	14	UK 209+H2309	F 209	2.47
UKF 210+H2310	45	143	111	22	18	40	16	49.5	55	14	UK 210+H2310	F 210	2.66
UKF 211+H2311	50	162	130	25	20	43	19	53.5	59	16	UK 211+H2311	F 211	3.59
UKF 212+H2312	55	175	143	29	20	48	19	60	62	16	UK 212+H2312	F 212	4.65
UKF 213+H2313	60	187	149	30	20	50	19	63	65	16	UK 213+H2313	F 213	5.69

Inch series

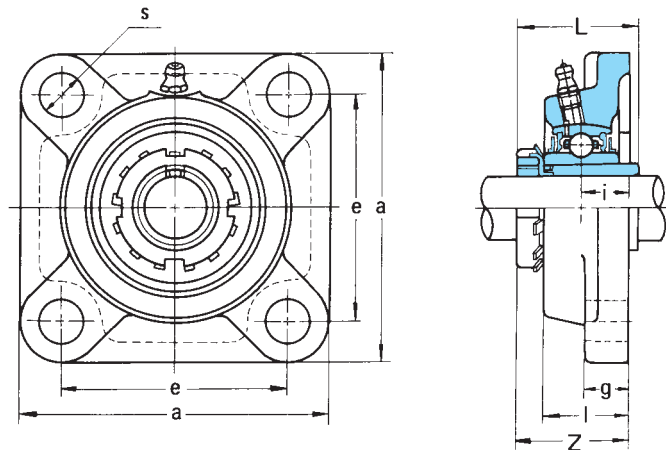
Unit No.	Shaft Dia. (inch)	Dimensions (inch)								Bolt Size (inch)	Bearing No.	Housing No.	Weight (lb.)
		a	e	i	g	l	s	Z	L				
UKF 205+HE2305 UKF 205+HA2305	3/4 13/16	3.750	2.750	0.630	0.563	1.063	0.469	1.398	1.378	3/8	UK 205+HE2305 UK 205+HA2305	F 205	1.94 1.92
UKF 206+HS2306 UKF 206+HA2306 UKF 206+HE2306	7/8 15/16 1	4.250	3.250	0.709	0.563	1.219	0.469	1.535	1.496	3/8	UK 206+HS2306 UK 206+HA2306 UK 206+HE2306	F 206	2.71 2.69 2.60
UKF 207+HS2307 UKF 207+HA2307	1-1/8 1-3/16	4.625	3.625	0.748	0.625	1.344	0.547	1.673	1.693	1/2	UK 207+HS2307 UK 207+HA2307	F 207	3.44 3.40
UKF 208+HE2308 UKF 208+HA2308 UKF 208+HS2308	1-1/4 1-5/16 1-5/8	5.125	4.000	0.827	0.625	1.406	0.625	1.791	1.811	1/2	UK 208+HE2308 UK 208+HA2308 UK 208+HS2308	F 208	4.78 4.72 4.65
UKF 209+HA2309 UKF 209+HE2309 UKF 209+HS2309	1-7/16 1-1/2 1-5/8	5.375	4.125	0.866	0.719	1.500	0.625	1.890	1.969	1/2	UK 209+HA2309 UK 209+HE2309 UK 209+HS2309	F 209	5.64 5.53 5.38
UKF 210+HA2310 UKF 210+HE2310	1-11/16 1-3/4	5.625	4.375	0.866	0.719	1.563	0.625	1.949	2.165	1/2	UK 210+HA2310 UK 210+HE2310	F 210	5.97 5.91
UKF 211+HS2311 UKF 211+HA2311 UKF 211+HE2311	1-7/8 1-15/16 2	6.375	5.125	0.984	0.781	1.688	0.750	2.106	2.323	5/8	UK 211+HS2311 UK 211+HA2311 UK 211+HE2311	F 211	8.11 7.98 7.87
UKF 212+HA2312 UKF 212+HS2312	2-1/16 2-1/8	6.875	5.625	1.142	0.781	1.875	0.750	2.362	2.441	5/8	UK 212+HA2312 UK 212+HS2312	F 212	10.47 10.34
UKF 213+HA2313 UKF 213+HE2313 UKF 213+HS2313	2-3/16 2-1/4 2-3/8	7.375	5.875	1.181	0.781	1.969	0.750	2.480	2.559	5/8	UK 213+HA2313 UK 213+HE2313 UK 213+HS2313	F 213	12.96 12.81 12.48

Square Flange Units

Type

UKFX00+H

(Diameter series X)



Metric series

Unit No.	Shaft Dia. mm	Dimensions mm								Bolt Size mm	Bearing No.	Housing No.	Weight kg
		a	e	i	g	l	s	z	L				
UKFX 05+H2305	20	108	83	18	13	30	12	39	35	M10	UKX 05+H2305	FX 05	1.1
UKFX 06+H2306	25	117	92	19	14	34	16	40.5	38	M14	UKX 06+H2306	FX 06	1.4
UKFX 07+H2307	30	130	102	21	14	38	16	44.5	43	M14	UKX 07+H2307	FX 07	1.8
UKFX 08+H2308	35	137	105	22	14	40	19	47	46	M16	UKX 08+H2308	FX 08	1.8
UKFX 09+H2309	40	143	111	23	14	40	19	49.5	50	M16	UKX 09+H2309	FX 09	2.4
UKFX 10+H2310	45	162	130	26	20	44	19	54.5	55	M16	UKX 10+H2310	FX 10	3.6
UKFX 11+H2311	50	175	143	29	20	49	19	59	59	M16	UKX 11+H2311	FX 11	4.3
UKFX 12+H2312	55	187	149	34	21	59	19	66	62	M16	UKX 12+H2312	FX 12	5.3
UKFX 13+H2313	60	187	149	34	21	59	19	68	65	M16	UKX 13+H2313	FX 13	5.2
UKFX 15+H2315	65	197	152	40	24	68	23	77	73	M20	UKX 15+H2315	FX 15	7.7
UKFX 16+H2316	70	214	171	40	24	70	23	80	78	M20	UKX 16+H2316	FX 16	10.2
UKFX 17+H2317	75	214	171	40	24	70	23	82.5	82	M20	UKX 17+H2317	FX 17	10.1
UKFX 18+H2318	80	214	171	45	24	76	23	89	86	M20	UKX 18+H2318	FX 18	10.2
UKFX 20+H2320	90	268	211	59	31	97	31	108	97	M27	UKX 20+H2320	FX 20	15.9

Inch series

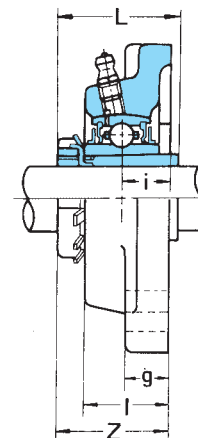
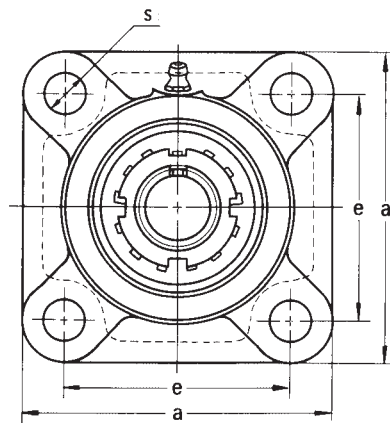
Unit No.	Shaft Dia. (inch)	Dimensions (inch)								Bolt Size (inch)	Bearing No.	Housing No.	Weight (lb.)
		a	e	i	q	l	s	z	L				
UKFX 05+HE2305	3/4	4.250	3.250	0.709	0.500	1.188	0.469	1.535	1.378	3/8	UKX 05+HE2305	FX 05	2.4
UKFX 05+HA2305	3/16										UKX 05+HA2305	FX 05	2.4
UKFX 06+HS2306	7/8	4.625	3.625	0.748	0.563	1.344	0.625	1.594	1.496	3/8	UKX 06+HS2306	FX 06	3.1
UKFX 06+HA2306	15/16										UKX 06+HA2306	FX 06	3.1
UKFX 06+HE2306	1										UKX 06+HE2306	FX 06	3.1
UKFX 07+HS2307	1-1/8	5.125	4.000	0.827	0.563	1.500	0.625	1.752	1.693	1/2	UKX 07+HS2307	FX 07	4.0
UKFX 07+HA2307	1-3/16										UKX 07+HA2307	FX 07	4.0
UKFX 08+HE2308	1-1/4	5.375	4.125	0.866	0.563	1.563	0.750	1.850	1.811	1/2	UKX 08+HE2308	FX 08	4.0
UKFX 08+HA2308	1-5/16										UKX 08+HA2308	FX 08	4.0
UKFX 08+HS2308	1-5/8										UKX 08+HS2308	FX 08	4.0
UKFX 09+HA2309	1-7/16	5.625	4.375	0.906	0.563	1.563	0.750	1.949	1.969	1/2	UKX 09+HA2309	FX 09	5.3
UKFX 09+HE2309	1-1/2										UKX 09+HE2309	FX 09	5.3
UKFX 09+HS2309	1-5/8										UKX 09+HS2309	FX 09	5.3
UKFX 10+HA2310	1-11/16	6.375	5.125	1.024	0.781	1.750	0.750	2.146	2.165	1/2	UKX 10+HA2310	FX 10	7.9
UKFX 10+HE2310	1-3/4										UKX 10+HE2310	FX 10	7.9
UKFX 11+HS2311	1-7/8	6.875	5.625	1.142	0.781	1.938	0.750	2.323	2.323	5/8	UKX 11+HS2311	FX 11	9.5
UKFX 11+HA2311	1-15/16										UKX 11+HA2311	FX 11	9.5
UKFX 11+HE2311	2										UKX 11+HE2311	FX 11	9.5
UKFX 12+HA2312	2-1/16	7.375	5.875	1.339	0.813	2.313	0.750	2.598	2.441	5/8	UKX 12+HA2312	FX 12	11.7
UKFX 12+HS2312	2-1/8										UKX 12+HS2312	FX 12	11.7
UKFX 13+HA2313	2-3/16	7.375	5.875	1.339	0.813	2.313	0.750	2.677	2.559	5/8	UKX 13+HA2313	FX 13	11.5
UKFX 13+HE2313	2-1/4										UKX 13+HE2313	FX 13	11.5
UKFX 13+HS2313	2-3/8										UKX 13+HS2313	FX 13	11.5
UKFX 15+HE2315	2-1/2	7.750	6.000	1.575	0.938	2.688	0.906	3.031	2.874	5/8	UKX 15+HE2315	FX 15	17.0
UKFX 16+HE2316	2-3/4	8.438	6.750	1.575	0.938	2.750	0.906	3.150	3.071	5/8	UKX 16+HE2316	FX 16	22.5
UKFX 17+HE2317	3	8.438	6.750	1.575	0.938	2.750	0.906	3.248	3.228	3/4	UKX 17+HE2317	FX 17	22.3
UKFX 18+HS2318	3-1/8	8.438	6.750	1.772	0.938	3.000	0.906	3.504	3.386	3/4	UKX 18+HS2318	FX 18	22.5
UKFX 20+HE2320	3-1/2	10.563	8.313	2.323	1.219	3.813	1.219	4.252	3.819	3/4	UKX 20+HE2320	FX 20	35.1

Square Flange Units

Type

UKF 300+H

(Medium duty)



Metric series

Unit No.	Shaft Dia. mm	Dimensions mm								Bolt Size mm	Bearing No.	Housing No.	Weight kg
		a	e	i	g	l	s	Z	L				
UKF 305+H2305	20	110	80	16	13	29	16	37	35	14	UK 305+H2305	F 305	1.25
UKF 306+H2306	25	125	95	18	15	32	16	40.5	38	14	UK 306+H2306	F 306	1.69
UKF 307+H2307	30	135	100	20	16	36	19	44.5	43	16	UK 307+H2307	F 307	2.13
UKF 308+H2308	35	150	112	23	17	40	19	50	46	16	UK 308+H2308	F 308	2.98
UKF 309+H2309	40	160	125	25	18	44	19	54.5	50	16	UK 309+H2309	F 309	3.63
UKF 310+H2310	45	175	132	28	19	48	23	60	55	20	UK 310+H2310	F 310	4.76
UKF 311+H2311	50	185	140	30	20	52	23	63.5	59	20	UK 311+H2311	F 311	5.66
UKF 312+H2312	55	195	150	33	22	56	23	69	62	20	UK 312+H2312	F 312	6.71
UKF 313+H2313	60	208	166	33	22	58	23	71	65	20	UK 313+H2313	F 313	7.67
UKF 315+H2315	65	236	184	39	25	66	25	81	73	22	UK 315+H2315	F 315	11.78
UKF 316+H2316	70	250	196	38	27	68	31	83.5	78	27	UK 316+H2316	F 316	13.88
UKF 317+H2317	75	260	204	44	27	74	31	92	82	27	UK 317+H2317	F 317	15.13
UKF 318+H2318	80	280	216	44	30	76	35	93.5	86	30	UK 318+H2318	F 318	19.01
UKF 319+H2319	85	290	228	59	30	94	35	111	90	30	UK 319+H2319	F 319	20.75
UKF 320+H2320	90	310	242	59	32	94	38	115	97	33	UK 320+H2320	F 320	24.76

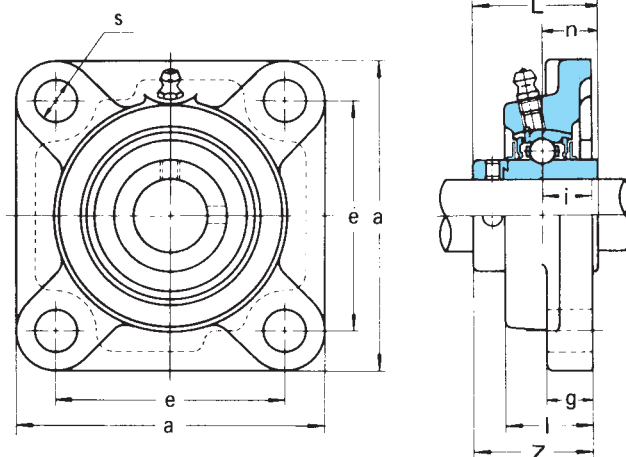
Inch series

Unit No.	Shaft Dia. (inch)	Dimensions (inch)								Bolt Size (inch)	Bearing No.	Housing No.	Weight (lb.)
		a	e	i	g	l	s	Z	L				
UKF 305+HE2305	3/4	4.313	3.156	0.630	0.500	1.156	0.625	1.457	1.378	1/2	UK 305+HE2305	F 305	2.76
UKF 306+HE2306	1	4.938	3.734	0.709	0.594	1.250	0.625	1.594	1.496	1/2	UK 306+HE2306	F 306	3.73
UKF 307+HS2307	1-1/8	5.313	3.938	0.787	0.625	1.406	0.750	1.752	1.693	5/8	UK 307+HS2307	F 307	4.74
UKF 308+HE2308	1-1/4	5.875	4.406	0.906	0.656	1.563	0.750	1.969	1.811	5/8	UK 308+HE2308	F 308	6.70
UKF 308+HS2308	3/8	5.875	4.406	0.906	0.656	1.563	0.750	1.969	1.811	5/8	UK308+HS2308	F 308	6.57
UKF 309+HE2309	1-1/2	6.313	4.922	0.984	0.719	1.719	0.750	2.146	1.969	5/8	UK 309+HE2309	F 309	8.11
UKF 309+HS2309	1-5/8	6.313	4.922	0.984	0.719	1.719	0.750	2.146	1.969	5/8	UK 309+HS2309	F 309	7.96
UKF 310+HE2310	1-3/4	6.875	5.203	1.102	0.750	1.875	0.906	2.362	2.165	3/4	UK 310+HE2310	F 310	10.54
UKF 311+HS2311	1-7/8	7.313	5.516	1.181	0.781	2.063	0.906	2.500	2.323	3/4	UK 311+HS2311	F 311	12.65
UKF 311+HE2311	2	7.313	5.516	1.181	0.781	2.063	0.906	2.500	2.323	3/4	UK 311+HE2311	F 311	12.41
UKF 312+HS2312	2-1/8	7.688	5.906	1.299	0.875	2.219	0.906	2.717	2.441	3/4	UK 312+HS2312	F 312	14.90
UKF 313+HE2313	2-1/4	8.188	6.531	1.299	0.875	2.281	0.906	2.795	2.559	3/4	UK 313+HE2313	F 313	17.22
UKF 313+HS2313	2-3/8	8.188	6.531	1.299	0.875	2.281	0.906	2.795	2.559	3/4	UK 313+HS2313	F 313	16.89
UKF 315+HE2315	2-1/2	9.313	7.250	1.535	1.000	2.594	0.984	3.189	2.874	7/8	UK 315+HE2315	F 315	26.15
UKF 316+HE2316	2-3/4	9.844	7.719	1.496	1.063	2.688	1.219	3.287	3.071	1	UK 316+HE2316	F 316	30.62
UKF 317+HE2317	3	10.250	8.031	1.732	1.063	2.906	1.219	3.622	3.228	1	UK 317+HE2317	F 317	33.16
UKF 318+HS2318	3-1/8	11.000	8.500	1.732	1.188	3.000	1.375	3.681	3.386	1-1/8	UK 318+HS2318	F 318	42.02
UKF 319+HE2319	3-1/4	11.438	8.969	2.323	1.188	3.688	1.375	4.370	3.543	1-1/8	UK 319+HE2319	F 319	46.23
UKF 320+HE2320	3-1/2	12.188	9.531	2.323	1.250	3.688	1.500	4.528	3.819	1-1/8	UK 320+HE2320	F 320	54.81

Square Flange Units

Type

UGF 200



Metric series

Unit No.	Shaft Dia. mm	Dimensions mm									Bolt Size mm	Bearing No.	Housing No.	Weight kg
		a	e	i*	g	l	s	Z	L	n*				
UGF 204	20	86	64	15	12	25.5	12	34.5	43.7	17.1	M10	UG 204+ER	F 204	0.64
UGF 205	25	95	70	16	14	27.0	12	36.5	44.4	17.5	M10	UG 205+ER	F 205	0.86
UGF 206	30	108	83	18	14	31.0	12	41.0	48.4	18.3	M10	UG 206+ER	F 206	1.2
UGF 207	35	117	92	19	16	34.0	14	43.5	51.1	18.8	M12	UG 207+ER	F 207	1.6
UGF 208	40	130	102	21	16	36.0	16	46.5	56.3	21.4	M14	UG 208+ER	F 208	2.2
UGF 209	45	137	105	22	18	38.0	16	49.0	56.3	21.4	M14	UG 209+ER	F 209	2.5
UGF 210	50	143	111	22	18	40.0	16	49.5	62.7	24.6	M14	UG 210+ER	F 210	2.6

Inch series

Unit No.	Shaft Dia. (inch)	Dimensions (inch)									Bolt Size (inch)	Bearing No.	Housing No.	Weight (lb.)
		a	e	i*	g	l	s	Z	L	n*				
UGF 204-12	3/4	3.375	2-1/2	2.500	0.469	1.000	0.469	1.358	1.720	0.673	3/8	UG 204-12+ER	F 204	1.41
UGF 205-14	7/8	3.750	2-3/4	2.750	0.563	1.063	0.469	1.437	1.748	0.689	3/8	UG 205-14+ER	F 205	1.96
UGF 205-16	1	3.750	2-3/4	2.750	0.563	1.063	0.469	1.437	1.748	0.689	3/8	UG 205-16+ER	F 205	1.9
UGF 206-18	1-1/8	4.250	3-1/4	3.250	0.563	1.219	0.469	1.614	1.906	0.720	3/8	UG 206-18+ER	F 206	2.62
UGF 207-20	1-1/4	4.625	3-5/8	3.625	0.625	1.344	0.547	1.713	2.012	0.740	1/2	UG 207-20+ER	F 207	3.55
UGF 207-22	1-3/8	4.625	3-5/8	3.625	0.625	1.344	0.547	1.713	2.012	0.740	1/2	UG 207-22+ER	F 207	3.44
UGF 208-24	1-1/2	5.125	4	4.000	0.625	1.406	0.625	1.831	2.217	0.843	1/2	UG 208-24+ER	F 208	4.96
UGF 209-26	1-5/8	5.375	4-1/8	4.125	0.719	1.500	0.625	1.929	2.217	0.843	1/2	UG 209-26+ER	F 209	5.69
UGF 209-28	1-3/4	5.375	4-1/8	4.125	0.719	1.500	0.625	1.929	2.217	0.843	1/2	UG 209-28+ER	F 209	5.51
UGF 210-30	1-7/8	5.625	4-3/8	4.375	0.719	1.563	0.625	1.949	2.469	0.969	1/2	UG 210-30+ER	F 210	5.87

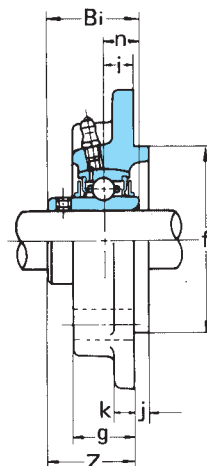
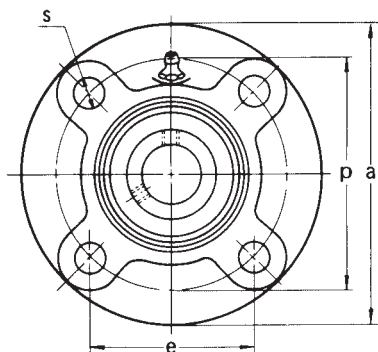
Note *: When the side surface of inner ring must be lower than the fixing face of housing ($i > n$), please consult us.

Flanged Cartridge Units

Type

UCFC 200

(Diameter series 2)



Metric series

Unit No.	Shaft Dia. mm	Dimensions mm												Bolt Size mm	Bearing No.	Housing No.	Weight kg
		a	p	e	i	s	j	k	g	f	Z	Bi	n				
UCFC 201	12	100	78	55.1	10	12	5	7	20.5	62	28.3	31	12.7	M10	UC 201	FC 204	0.89
UCFC 202	15	100	78	55.1	10	12	5	7	20.5	62	28.3	31	12.7	M10	UC 202	FC 204	0.87
UCFC 203	17	100	78	55.1	10	12	5	7	20.5	62	28.3	31	12.7	M10	UC 203	FC 204	0.86
UCFC 204	20	100	78	55.1	10	12	5	7	20.5	62	28.3	31	12.7	M10	UC 204	FC 204	0.84
UCFC 205	25	115	90	63.6	10	12	6	7	21	70	29.7	34	14.3	M10	UC 205	FC 205	1.1
UCFC 206	30	125	100	70.7	10	12	8	8	23	80	32.2	38.1	15.9	M10	UC 206	FC 206	1.5
UCFC 207	35	135	110	77.8	11	14	8	9	26	90	36.4	42.9	17.5	M12	UC 207	FC 207	1.7
UCFC 208	40	145	120	84.8	11	14	10	9	26	100	41.2	49.2	19	M12	UC 208	FC 208	2.1
UCFC 209	45	160	132	93.3	10	16	12	14	26	105	40.2	49.2	19	M14	UC 209	FC 209	3.0
UCFC 210	50	165	138	97.6	10	16	12	14	28	110	42.6	51.6	19	M14	UC 210	FC 210	3.1
UCFC 211	55	185	150	106.1	13	19	12	15	31	125	46.4	55.6	22.2	M16	UC 211	FC 211	3.9
UCFC 212	60	195	160	113.1	17	19	12	15	36	135	56.7	65.1	25.4	M16	UC 212	FC 212	4.4
UCFC 213	65	205	170	120.2	16	19	14	15	36	145	55.7	65.1	25.4	M16	UC 213	FC 213	5.3
UCFC 214	70	215	177	125.1	17	19	14	18	40	150	61.4	74.6	30.2	M16	UC 214	FC 214	6.8
UCFC 215	75	220	184	130.1	18	19	16	18	40	160	62.5	77.8	33.3	M16	UC 215	FC 215	7.4
UCFC 216	80	240	200	141.4	18	23	16	18	42	170	67.3	82.6	33.3	M20	UC 216	FC 216	9.2
UCFC 217	85	250	208	147.1	18	23	18	20	45	180	69.6	85.7	34.1	M20	UC 217	FC 217	10.6
UCFC 218	90	265	220	155.5	22	23	18	20	50	190	78.3	96	39.7	M20	UC 218	FC 218	12.7

Inch series

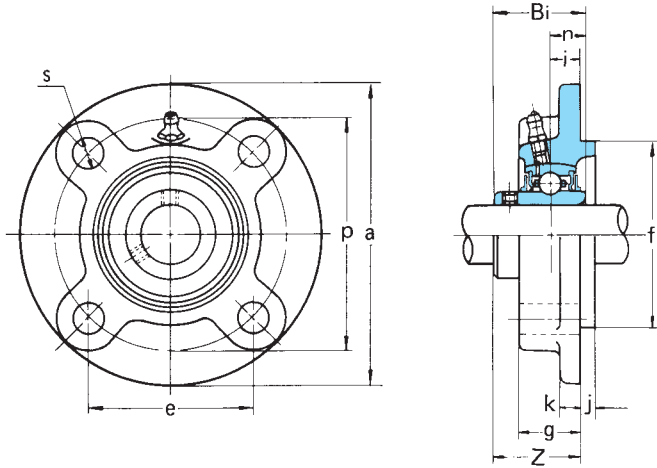
Unit No.	Shaft Dia. (inch)	Dimensions (inch)												Bolt Size (inch)	Bearing No.	Housing No.	Weight (lb.)
		a	p	e	i	s	j	k	g	f	Z	Bi	n				
UCFC 201-8	1/2														UC 201-8		1.96
UCFC 202-9	9/16	3.938	3.078	2.169	0.394	0.469	0.188	0.281	0.813	2.441	1.114	1.220	0.500	3/8	UC 202-9	FC 204	1.92
UCFC 202-10	5/8														UC 202-10		
UCFC 203-11	11/16														UC 203-11		1.90
UCFC 204-12	3/4	3.938	3.078	2.169	0.394	0.469	0.188	0.281	0.813	2.441	1.114	1.220	0.500	3/8	UC 204-12	FC 204	1.85
UCFC 205-14	7/8	4.500	3.547	2.504	0.394	0.469	0.250	0.281	0.813	2.756	1.169	1.339	0.563	3/8	UC 205-14	FC 205	2.42
UCFC 205-15	15/16														UC 205-15		
UCFC 205-16	1														UC 205-16		
UCFC 206-17	1-1/16	4.938	3.938	2.783	0.394	0.469	0.313	0.313	0.906	3.150	1.268	1.500	0.626	3/8	UC 206-17	FC 206	3.31
UCFC 206-18	1-1/8														UC 206-18		
UCFC 206-19	1-3/16														UC 206-19		
UCFC 207-20	1-1/4	5.313	4.328	3.063	0.433	0.547	0.313	0.344	1.031	3.543	1.433	1.689	0.689	1/2	UC 207-20	FC 207	3.75
UCFC 207-21	1-5/16														UC 207-21		
UCFC 207-22	1-3/8														UC 207-22		
UCFC 207-23	1-7/16														UC 207-23		
UCFC 208-24	1-1/2	5.688	4.719	3.339	0.433	0.547	0.406	0.344	1.031	3.937	1.622	1.937	0.748	1/2	UC 208-24	FC 208	4.63
UCFC 208-25	1-9/16														UC 208-25		
UCFC 209-26	1-5/8	6.313	5.203	3.673	0.394	0.625	0.469	0.563	1.031	4.134	1.583	1.937	0.748	1/2	UC 209-26	FC 209	6.61
UCFC 209-27	1-11/16														UC 209-27		
UCFC 209-28	1-3/4														UC 209-28		
UCFC 210-30	1-7/8	6.500	5.438	3.843	0.394	0.625	0.469	0.563	1.094	4.331	1.677	2.032	0.748	1/2	UC 210-30	FC 210	6.83
UCFC 210-31	1-15/16														UC 210-31		
UCFC 211-32	2	7.313	5.906	4.177	0.512	0.750	0.469	0.594	1.219	4.921	1.827	2.189	0.874	5/8	UC 211-32	FC 211	8.60
UCFC 211-34	2-1/8														UC 211-34		
UCFC 211-35	2-3/16														UC 211-35		
UCFC 212-36	2-1/4	7.688	6.297	4.453	0.669	0.750	0.469	0.594	1.406	5.315	2.232	2.563	1.000	5/8	UC 212-36	FC 212	9.70
UCFC 212-38	2-3/8														UC 212-38		
UCFC 212-39	2-7/16														UC 212-39		
UCFC 213-40	2-1/2	8.063	6.688	4.732	0.630	0.750	0.563	0.594	1.406	5.709	2.193	2.563	1.000	5/8	UC 213-40	FC 213	11.68
*UCFC 214-44	2-3/4	8.438	6.969	4.925	0.669	0.750	0.563	0.719	1.563	5.906	2.417	2.937	1.189	5/8	UC 214-44	FC 214	14.99
*UCFC 215-48	3	8.688	7.250	5.122	0.709	0.750	0.625	0.719	1.563	6.299	2.461	3.063	1.311	5/8	UC 215-48	FC 215	16.31
*UCFC 216-50	3-1/8	9.438	7.875	5.567	0.709	0.906	0.625	0.719	1.656	6.693	2.650	3.252	1.311	3/4	UC 216-50	FC 216	20.28
*UCFC 217-52	3-1/4	9.813	8.188	5.791	0.709	0.906	0.719	0.781	1.781	7.087	2.740	3.374	1.343	3/4	UC 217-52	FC 217	23.36
*UCFC 218-56	3-1/2	10.438	8.656	6.122	0.866	0.906	0.719	0.781	1.969	7.480	3.083	3.780	1.563	3/4	UC 218-56	FC 218	27.99

Flanged Cartridge Units

Type

UCFC X00

(Diameter series X)



Metric series

Unit No.	Shaft Dia. mm	Dimensions mm												Bolt Size mm	Bearing No.	Housing No.	Weight kg
		a	p	e	i	s	j	k	g	f	Z	Bi	n				
UCFC X05	25	111	92	65	10	9.5	6	9.5	24	76	32.2	38.1	15.9	M8	UC X05	FC X05	1.1
UCFC X06	30	127	105	74.2	8	12	9.5	9.5	22.5	85	33.4	42.9	17.5	M10	UC X06	FC X06	1.4
UCFC X07	35	133	111	78.5	9	12	11	11	26	92	39.2	49.2	19	M10	UC X07	FC X07	1.8
UCFC X08	40	133	111	78.5	9	12	11	11	26	92	39.2	49.2	19	M10	UC X08	FC X08	1.8
UCFC X09	45	155	130	91.9	8	14	12	11	25	108	40.6	51.6	19	M12	UC X09	FC X09	2.5
UCFC X10	50	162	136	96.2	7	14	16	11	25	118	40.4	55.6	22.2	M12	UC X10	FC X10	2.9
UCFC X11	55	180	152	107.5	4	16	22	13	26	127	43.7	65.1	25.4	M14	UC X11	FC X11	4.0
UCFC X12	60	194	165	116.7	11	16	20	14	33	140	50.7	75.1	25.4	M14	UC X12	FC X12	4.6
UCFC X13	65	194	165	116.7	11	16	20	14	33	140	55.4	74.6	30.2	M14	UC X13	FC X13	4.9
UCFC X14	70	222	190	134.3	14	19	20	14	36	164	58.5	77.8	33.3	M16	UC X14	FC X14	7.4
UCFC X15	75	222	190	134.3	12	19	22	16	35	164	61.3	82.6	33.3	M16	UC X15	FC X15	7.4
UCFC X16	80	260	219	154.8	10	23	25	19	36	186	61.6	85.7	34.1	M20	UC X16	FC X16	11.5
UCFC X17	85	260	219	154.8	10	23	25	19	36	186	66.3	96	39.7	M20	UC X17	FC X17	11.1
UCFC X18	90	260	219	154.8	12	23	28	19	43	186	73.1	104	42.9	M20	UC X18	FC X18	11.3
UCFC X20	100	276	238	168.3	22	23	28	22	66	206	90.3	117.5	49.2	M20	UC X20	FC X20	15.9

Inch series

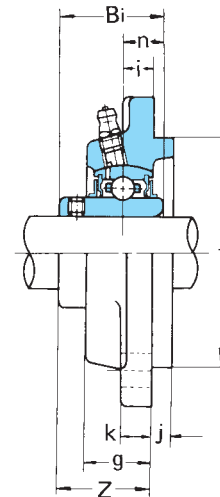
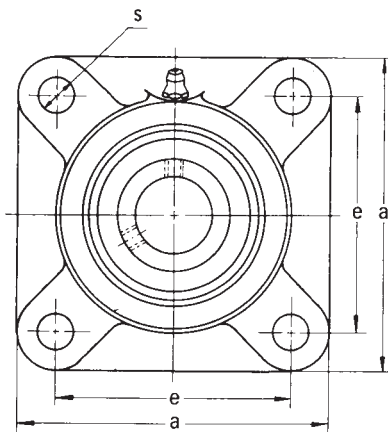
Unit No.	Shaft Dia. (inch)	Dimensions (inch)												Bolt Size (inch)	Bearing No.	Housing No.	Weight (lb.)
		a	p	e	i	s	j	k	g	f	Z	Bi	n				
UCFC X05-14	7/8	4.375	3.625	2.559	0.394	0.375	0.250	0.375	0.938	2.992	1.268	1.550	0.626	5/16	UC X05-14	FC X05	2.42
X05-15	15/16																
X05-16	1																
UCFC X06-18	1-1/8	5.000	4.125	2.921	0.315	0.469	0.375	0.375	0.875	3.346	1.315	1.689	0.689	3/8	UC X06-18	FC X06	3.09
X06-19	1-3/16																
X06-20	1-1/4																
UCFC X07-22	1-3/8	5.250	4.375	3.091	0.354	0.469	0.438	0.438	1.031	3.622	1.543	1.937	0.748	3/8	UC X07-22	FC X07	3.97
X07-23	1-7/16																
UCFC X08-24	1-1/2																
UCFC X09-26	1-5/8	6.125	5.125	3.618	0.315	0.547	0.469	0.438	1.000	4.252	1.598	2.032	0.748	1/2	UC X09-26	FC X09	5.51
X09-27	1-11/16																
X09-28	1-3/4																
UCFC X10-30	1-7/8	6.375	5.375	3.787	0.276	0.547	0.625	0.438	1.000	4.646	1.591	2.189	0.874	1/2	UC X10-30	FC X10	6.39
X10-31	1-15/16																
X10-32	2																
UCFC X11-34	2-1/8	7.125	6.000	4.232	0.157	0.625	0.875	0.500	1.031	5.000	1.720	2.563	1.000	1/2	UC X11-34	FC X11	8.82
X11-35	2-3/16																
X11-36	2-1/4																
UCFC X12-38	2-3/8	7.625	6.500	4.594	0.433	0.625	0.781	0.563	1.313	5.512	1.996	2.563	1.000	1/2	UC X12-38	FC X12	10.14
X12-39	2-7/16																
UCFC X13-40	2-1/2																
UCFC X14-43	2-11/16	8.750	7.500	5.287	0.551	0.750	0.781	0.563	1.406	6.457	2.303	3.063	1.311	5/8	UC X14-43	FC X14	16.31
X14-44	2-3/4																
UCFC X15-47	2-15/16																
X15-48	3	8.750	7.500	5.287	0.472	0.750	0.875	0.625	1.375	6.457	2.413	3.252	1.311	5/8	UC X15-47	FC X15	16.31
X15-48	3																
UCFC X16-51	3-3/16																
UCFC X17-52	3-1/4	10.250	8.625	6.094	0.394	0.906	1.000	0.750	1.406	7.323	2.425	3.374	1.343	3/4	UC X16-51	FC X16	25.35
X17-55	3-7/16																
UCFC X18-56	3-1/2																
UCFC X20-63	3-15/16	10.875	8.375	6.626	0.866	0.906	1.094	0.875	2.594	8.110	3.555	4.626	1.937	3/4	UC X20-63	FC X20	35.04
X20-64	4																

Flanged Cartridge Units

Type

UCFC 300

(Diameter series 3)



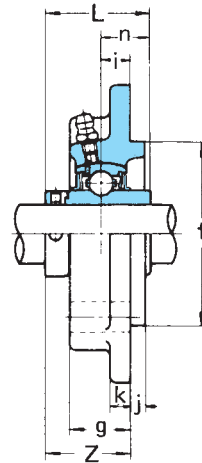
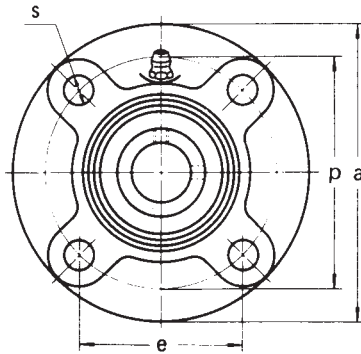
Metric series

Unit No.	Shaft Dia. mm	Dimensions mm											Bolt Size mm	Bearing No.	Housing No.	Weight kg
		a	e	i	s	j	k	g	f	Z	Bi	n				
UCFS 305	25	110	80	9	16	7	13	22	80	32	38	15	M14	UC 305	FS 305	1.4
UCFS 306	30	125	95	10	16	8	15	24	90	36	43	17	M14	UC 306	FS 306	1.9
UCFS 307	35	135	100	11	19	9	16	27	100	40	48	19	M16	UC 307	FS 307	2.4
UCFS 308	40	150	112	13	19	10	17	30	115	46	52	19	M16	UC 308	FS 308	3.3
UCFS 309	45	160	125	14	19	11	18	33	125	49	57	22	M16	UC 309	FS 309	4.0
UCFS 310	50	175	132	16	23	12	19	36	140	55	64	22	M20	UC 310	FS 310	5.3
UCFS 311	55	185	140	17	23	13	20	39	150	58	66	25	M20	UC 311	FS 311	6.2
UCFS 312	60	195	150	19	23	14	22	42	160	64	71	26	M20	UC 312	FS 312	7.4
UCFS 313	65	208	166	15	23	18	22	40	175	60	75	30	M20	UC 313	FS 313	8.6
UCFS 314	70	226	178	18	25	18	25	43	185	63	78	33	M22	UC 314	FS 314	11.2
UCFS 315	75	236	184	21	25	18	25	48	200	71	82	32	M22	UC 315	FS 315	12.7
UCFS 316	80	250	196	18	31	20	27	48	210	70	86	34	M27	UC 316	FS 316	14.3
UCFS 317	85	260	204	24	31	20	27	54	220	80	96	40	M27	UC 317	FS 317	17.2
UCFS 318	90	280	216	24	35	20	30	56	240	80	96	40	M30	UC 318	FS 318	20.4
UCFS 319	95	290	228	39	35	20	30	74	250	101	103	41	M30	UC 319	FS 319	23.9
UCFS 320	100	310	242	39	38	20	32	74	260	105	108	42	M33	UC 320	FS 320	27.1
UCFS 321	105	310	242	39	38	20	32	74	260	107	112	44	M33	UC 321	FS 321	28.5
UCFS 322	110	340	266	35	41	25	35	71	300	106	117	46	M36	UC 322	FS 322	36.8
UCFS 324	120	370	290	35	41	30	40	80	330	110	126	51	M36	UC 324	FS 324	50.6
UCFS 326	130	410	320	35	41	30	45	85	360	116	135	54	M36	UC 326	FS 326	67.8
UCFS 328	140	450	350	45	41	30	55	95	400	131	145	59	M36	UC 328	FS 328	96.3

Inch series

Unit No.	Shaft Dia. (inch)	Dimensions (inch)											Bolt Size (inch)	Bearing No.	Housing No.	Weight (lb.)
		a	e	i	s	j	k	g	f	Z	Bi	n				
UCFS 305-14 305-16	7/8 1	4.313	3.156	0.354	5/8	0.281	0.500	0.875	3.150	1.260	1.496	0.591	1/2	UC 305-14 305-16	FS 305	3.09
UCFS 306-18	1-1/8	4.938	3.734	0.394	5/8	0.313	0.594	0.938	3.543	1.417	1.693	0.669	1/2	UC 306-18	FS 306	4.19
UCFS 307-20 307-22	1-1/4 1-3/8	5.313	3.938	0.433	3/4	0.344	0.625	1.063	3.937	1.575	1.890	0.748	5/8	UC 307-20 307-22	FS 307	5.29
UCFS 308-24	1-1/2	5.875	4.406	0.512	3/4	0.406	0.656	1.188	4.528	1.811	2.047	0.748	5/8	UC 308-24	FS 308	7.27
UCFS 309-26 309-28	1-5/8 1-3/4	6.313	4.922	0.551	3/4	0.438	0.719	1.313	4.921	1.929	2.244	0.866	5/8	UC 309-26 309-28	FS 309	8.82
UCFS 310-30	1-7/8	6.875	5.203	0.630	29/32	0.469	0.750	1.406	5.512	2.165	2.402	0.866	3/4	UC 310-30	FS 310	11.68
UCFS 311-32 311-34	2 2-1/8	7.313	5.516	0.669	29/32	0.500	0.781	1.531	5.906	2.283	2.598	0.984	3/4	UC 311-32 311-34	FS 311	13.66
UCFS 312-36 312-38	2-1/4 2-3/8	7.688	5.906	0.748	29/32	0.563	0.875	1.656	6.299	2.520	2.795	1.024	3/4	UC 312-36 312-38	FS 312	16.31
UCFS 313-40	2-1/2	8.188	6.531	0.591	29/32	0.719	0.875	1.563	6.890	2.362	2.953	1.181	3/4	UC 313-40	FS 313	18.95
UCFS 314-44	2-3/4	8.875	7.016	0.709	63/64	0.719	1.000	1.688	7.283	2.480	3.071	1.299	7/8	UC 314-44	FS 314	24.68
UCFS 315-48	3	9.313	7.250	0.827	63/64	0.719	1.000	1.875	7.874	2.795	3.228	1.260	7/8	UC 315-48	FS 315	27.99
UCFS 316-50	3-1/8	9.813	7.719	0.709	1-7/32	0.781	1.063	1.875	8.268	2.756	3.386	1.339	1	UC 316-50	FS 316	31.52
UCFS 317-52	3-1/4	10.250	8.031	0.945	1-7/32	0.781	1.063	2.125	8.661	3.150	3.780	1.575	1	UC 317-52	FS 317	37.91
UCFS 318-56	3-1/2	11.000	8.500	0.945	1-3/8	0.781	1.188	2.219	9.449	3.150	3.780	1.575	1-1/8	UC 318-56	FS 318	44.96
UCFS 319-60	3-3/4	11.438	8.969	1.535	1-3/8	0.781	1.188	2.906	9.843	3.976	4.055	1.614	1-1/8	UC 319-60	FS 319	52.68
UCFS 320-64	4	12.188	9.531	1.535	1-1/2	0.781	1.250	2.906	10.236	4.134	4.252	1.654	1-1/4	UC 320-64	FS 320	59.73

Flanged Cartridge Units Type UGFC 200



Metric series

Unit No.	Shaft Dia. mm	Dimensions mm												Bolt Size mm	Bearing No.	Housing No.	Weight kg
		a	p	e	i*	s	j*	k*	g	f	Z	L	n*				
UGFC 204	20	100	78	55.1	10	12	5	7	20.5	62	29.5	43.7	17.1	M10	UG 204+ER	FC 204	0.89
UGFC 205	25	115	90	63.6	10	12	6	7	21.0	70	30.5	44.4	17.5	M10	UG 205+ER	FC 205	1.2
UGFC 206	30	125	100	70.7	10	12	8	8	23.0	80	33.0	48.4	18.3	M10	UG 206+ER	FC 206	1.6
UGFC 207	35	135	110	77.8	11	14	8	9	26.0	90	35.5	51.1	18.8	M12	UG 207+ER	FC 207	1.9
UGFC 208	40	145	120	84.8	11	14	10	9	26.0	100	36.5	56.3	21.4	M12	UG 208+ER	FC 208	2.2
UGFC 209	45	160	132	93.3	10	16	12	14	26.0	105	37.0	56.3	21.4	M14	UG 209+ER	FC 209	3.1
UGFC 210	50	165	138	97.6	10	16	12	14	28.0	110	37.5	62.7	24.6	M14	UG 210+ER	FC 210	3.2

Inch series

Unit No.	Shaft Dia. (inch)	Dimensions (inch)												Bolt Size (inch)	Bearing No.	Housing No.	Weight (lb.)
		a	p	e	i*	s	j*	k*	g	f	Z	L	n*				
UGFC 204-12	3/4	3.938	3-5/64	2.169	0.394	0.469	0.188	0.281	0.813	2.441	1.161	1.720	0.673	3/8	UG 204-12+ER	FC 204	1.9
UGFC 205-14	7/8	4.500	3-35/64	2.504	0.394	0.469	0.250	0.281	0.813	2.756	1.201	1.748	0.689	3/8	UG 205-14+ER	FC 205	2.5
UGFC 205-16	1	4.500	3-35/64	2.504	0.394	0.469	0.250	0.281	0.813	2.756	1.201	1.748	0.689	3/8	UG 205-16+ER	FC 205	2.5
UGFC 206-18	1-1/8	4.938	3-15/16	2.783	0.394	0.469	0.313	0.313	0.906	3.150	1.299	1.906	0.720	3/8	UG 206-18+ER	FC 206	3.5
UGFC 207-20	1-1/4	5.313	4-21/64	3.063	0.433	0.547	0.313	0.344	1.031	3.543	1.398	2.012	0.740	1/2	UG 207-20+ER	FC 207	4.1
UGFC 207-22	1-3/8	5.313	4-21/64	3.063	0.433	0.547	0.313	0.344	1.031	3.543	1.398	2.012	0.740	1/2	UG 207-22+ER	FC 207	4.1
UGFC 208-24	1-1/2	5.688	4-23/32	3.339	0.433	0.547	0.406	0.344	1.031	3.937	1.437	2.217	0.843	1/2	UG 208-24+ER	FC 208	4.8
UGFC 209-26	1-5/8	6.313	5-13/64	3.673	0.394	0.625	0.469	0.563	1.031	4.134	1.457	2.217	0.843	1/2	UG 209-26+ER	FC 209	6.8
UGFC 209-28	1-3/4	6.313	5-13/64	3.673	0.394	0.625	0.469	0.563	1.031	4.134	1.457	2.217	0.843	1/2	UG 209-28+ER	FC 209	6.8
UGFC 210-30	1-7/8	6.500	5-7/16	3.843	0.394	0.625	0.469	0.563	1.094	4.331	1.476	2.469	0.969	1/2	UG 210-30+ER	FC 210	7.2

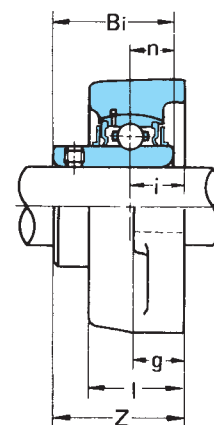
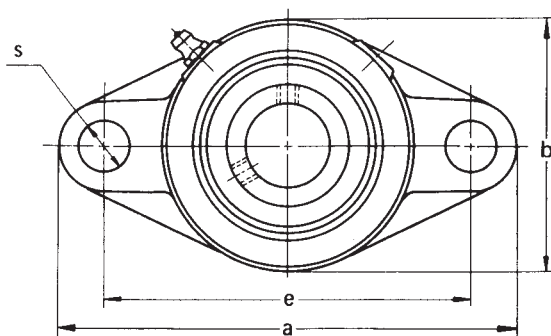
Note *: When the side surface of inner ring must be lower than the face (r) of housing ($i+j > n$), please consult us.

Two-Bolt Flange Units

Type

UCFL 200

(Diameter series 2)



Metric series

Unit No.	Shaft Dia. mm	Dimensions mm										Bolt Size mm	Bearing No.	Housing No.	Weight kg
		a	e	i	g	l	s	b	Z	Bi	n				
UCFL 201	12	113	90	15	12	25.5	12	60	33.3	31	12.7	M10	UC 201	FL 204	0.50
UCFL 202	15	113	90	15	12	25.5	12	60	33.3	31	12.7	M10	UC 202	FL 204	0.48
UCFL 203	17	113	90	15	12	25.5	12	60	33.3	31	12.7	M10	UC 203	FL 204	0.47
UCFL 204	20	113	90	15	12	25.5	12	60	33.3	31	12.7	M10	UC 204	FL 204	0.45
UCFL 205	25	130	99	16	14	27	16	68	35.7	34	14.3	M14	UC 205	FL 205	0.63
UCFL 206	30	148	117	18	14	31	16	80	40.2	38.1	15.9	M14	UC 206	FL 206	0.96
UCFL 207	35	161	130	19	16	34	16	90	44.4	42.9	17.5	M14	UC 207	FL 207	1.2
UCFL 208	40	175	144	21	16	36	16	100	51.2	49.2	19	M14	UC 208	FL 208	1.6
UCFL 209	45	188	148	22	18	38	19	108	52.2	49.2	19	M16	UC 209	FL 209	1.9
UCFL 210	50	197	157	22	18	40	19	115	54.6	51.6	19	M16	UC 210	FL 210	2.2
UCFL 211	55	224	184	25	20	43	19	130	58.4	55.6	22.2	M16	UC 211	FL 211	3.2
UCFL 212	60	250	202	29	20	48	23	140	68.7	65.1	25.4	M20	UC 212	FL 212	4.1
UCFL 213	65	258	210	30	24	50	23	155	69.7	65.1	25.4	M20	UC 213	FL 213	5.1
UCFL 214	70	265	216	31	24	54	23	160	75.4	74.6	30.2	M20	UC 214	FL 214	6.0
UCFL 215	75	275	225	34	24	56	23	165	78.5	77.8	33.3	M20	UC 215	FL 215	6.5
UCFL 216	80	290	233	34	24	58	25	180	83.3	82.6	33.3	M22	UC 216	FL 216	8.0
UCFL 217	85	305	248	36	26	63	25	190	87.6	85.7	34.1	M22	UC 217	FL 217	9.5
UCFL 218	90	320	265	40	26	68	25	205	96.3	96	39.7	M22	UC 218	FL 218	11.9

Inch series

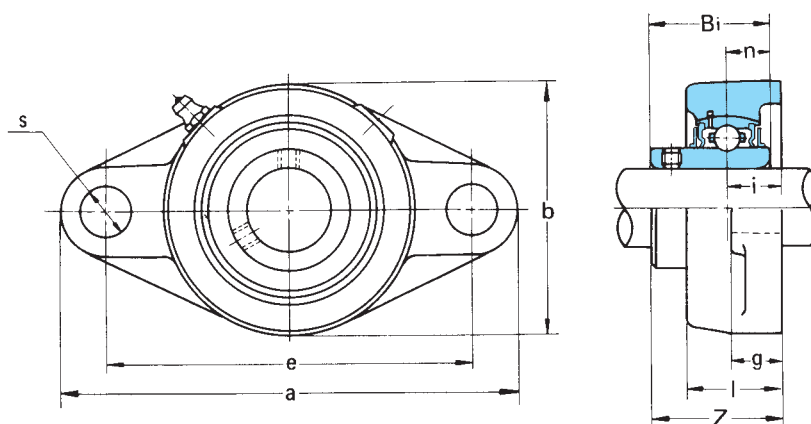
Unit No.	Shaft Dia. (inch)	Dimensions (inch)										Bolt Size in.	Bearing No.	Housing No.	Weight (lb.)	
		a	e	i	g	l	s	b	Z	Bi	n					
UCFL 201-8	1/2													UC 201-8		1.10
UCFL 202-9	9/16	4.438	3.547	0.591	0.469	1.000	0.469	2.375	1.311	1.220	0.500	3/8	UC 202-9	FL 204	1.06	
UCFL 202-10	5/8															
UCFL 203-11	11/16												UC 203-11		1.04	
UCFL 204-12	3/4	4.438	3.547	0.591	0.469	1.000	0.469	2.375	1.311	1.220	0.500	3/8	UC 204-12	FL 204	0.99	
UCFL 205-14	7/8	5.125	3.891	0.630	0.563	1.063	0.625	2.688	1.406	1.339	0.563	1/2	UC 205-14	FL 205	1.39	
UCFL 205-15	15/16															
UCFL 205-16	1															
UCFL 206-17	1-1/16	5.813	4.609	0.709	0.563	1.219	0.625	3.125	1.583	1.500	0.626	1/2	UC 206-17	FL 206	2.12	
UCFL 206-18	1-1/8															
UCFL 206-19	1-3/16															
UCFL 207-20	1-1/4	6.313	5.125	0.748	0.625	1.344	0.625	3.563	1.748	1.689	0.689	1/2	UC 207-20	FL 207	2.64	
UCFL 207-21	1-5/16															
UCFL 207-22	1-3/8															
UCFL 207-23	1-7/16															
UCFL 208-24	1-1/2	6.875	5.672	0.827	0.625	1.406	0.625	3.938	2.016	1.937	0.748	1/2	UC 208-24	FL 208	3.53	
UCFL 208-25	1-9/16															
UCFL 209-26	1-5/8	7.375	5.828	0.866	0.719	1.500	0.750	4.250	2.055	1.937	0.748	5/8	UC 209-26	FL 209	4.19	
UCFL 209-27	1-11/16															
UCFL 209-28	1-3/4															
UCFL 210-30	1-7/8	7.750	6.188	0.866	0.719	1.563	0.750	4.500	2.150	2.032	0.748	5/8	UC 210-30	FL 210	4.85	
UCFL 210-31	1-15/16															
UCFL 211-32	2	8.813	7.250	0.984	0.781	1.688	0.750	5.125	2.299	2.189	0.874	5/8	UC 211-32	FL 211	7.05	
UCFL 211-34	2-1/8															
UCFL 211-35	2-3/16															
UCFL 212-36	2-1/4	9.813	7.953	1.142	0.781	1.875	0.906	5.500	2.705	2.563	1.000	3/4	UC 212-36	FL 212	9.04	
UCFL 212-38	2-3/8															
UCFL 212-39	2-7/16															
UCFL 213-40	2-1/2	10.188	8.266	1.181	0.938	1.969	0.906	6.125	2.744	2.563	1.000	3/4	UC 213-40	FL 213	11.24	
*UCFL 214-44	2-3/4	10.438	8.500	1.220	0.938	2.125	0.906	6.313	2.969	2.937	1.189	3/4	UC 214-44	FL 214	13.22	
*UCFL 215-48	3	10.813	8.859	1.339	0.938	2.219	0.906	6.500	3.091	3.063	1.311	3/4	UC 215-48	FL 215	14.33	
*UCFL 216-50	3-1/8	11.438	9.172	1.339	0.938	2.281	0.984	7.063	3.280	3.252	1.311	7/8	UC 216-50	FL 216	17.63	
*UCFL 217-52	3-1/4	12.000	9.766	1.417	1.031	2.469	0.984	7.500	3.449	3.374	1.343	7/8	UC 217-52	FL 217	20.94	
*UCFL 218-56	3-1/2	12.625	10.438	1.575	1.031	2.688	0.984	8.063	3.791	3.780	1.563	7/8	UC 218-56	FL 218	26.23	

Two-Bolt Flange Units

Type

UCFL X00

(Diameter series X)



Metric series

Unit No.	Shaft Dia. mm	Dimensions mm										Bolt Size mm	Bearing No.	Housing No.	Weight kg
		a	e	i	g	l	s	b	Z	Bi	n				
UCFL X05	25	141	117	18	13	30	12	83	40.2	38.1	15.9	M10	UC X05	FL X05	1.0
UCFL X06	30	156	130	19	14	34	16	95	44.4	42.9	17.5	M14	UC X06	FL X06	1.4
UCFL X07	35	171	144	21	14	38	16	105	51.2	49.2	19	M14	UC X07	FL X07	1.9
UCFL X08	40	179	148	22	14	40	16	111	52.2	49.2	19	M14	UC X08	FL X08	2.0
UCFL X09	45	189	157	23	14	40	16	116	55.6	51.6	19	M14	UC X09	FL X09	2.4
UCFL X10	50	216	184	26	20	44	19	133	59.4	55.6	22.2	M14	UC X10	FL X10	3.6

Inch series

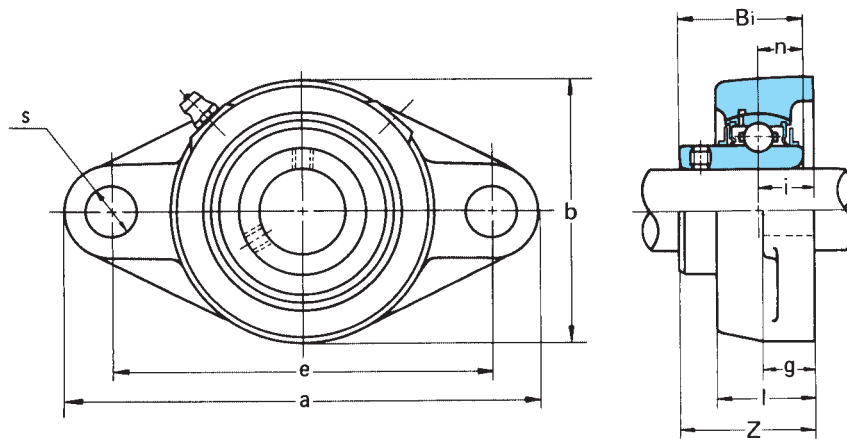
Unit No.	Shaft Dia. (inch)	Dimensions (inch)										Bolt Size (inch)	Bearing No.	Housing No.	Weight (lb.)
		a	e	i	g	l	s	b	Z	Bi	n				
UCFL X05-14 X05-15 X05-16	7/8 15/16 1	5.563	4.594	0.709	0.500	1.188	0.469	3.250	1.583	1.500	0.626	3/8	UC X05-14 X05-15 X05-16	FL X05	2.20
UCFL X06-18 X06-19 X06-20	1-1/8 1-3/16 1-1/4	6.125	5.125	0.748	0.563	1.344	0.625	3.750	1.748	1.689	0.689	1/2	UC X06-18 X06-19 X06-20	FL X06	3.09
UCFL X07-22 X07-23	1-3/8 1-7/16	6.750	5.656	0.827	0.563	1.500	0.625	4.125	2.016	1.937	0.748	1/2	UC X07-22 X07-23	FL X07	4.19
UCFL X08-24	1-1/2	7.063	5.844	0.866	0.563	1.563	0.625	4.375	2.055	1.937	0.748	1/2	UC X08-24	FL X08	4.41
UCFL X09-26 X09-27 X09-28	1-5/8 1-11/16 1-3/4	7.438	6.188	0.906	0.563	1.563	0.625	4.563	2.189	2.032	0.748	1/2	UC X09-26 X09-27 X09-28	FL X09	5.29
UCFL X10-30 X10-31 X10-32	1-7/8 1-15/16 2	8.500	7.250	1.024	0.781	1.750	0.750	5.250	2.339	2.189	0.874	5/8	UC X10-30 X10-31 X10-32	FL X10	7.93

Two-Bolt Flange Units

Type

UCFL 300

(Diameter series 3)



Metric series

Unit No.	Shaft Dia. mm	Dimensions mm										Bolt Size mm	Bearing No.	Housing No.	Weight kg
		a	e	i	g	l	s	b	Z	Bi	n				
UCFL 305	25	150	113	16	13	29	19	80	39	38	15	M16	UC 305	FL 305	1.1
UCFL 306	30	180	134	18	15	32	23	90	44	43	17	M20	UC 306	FL 306	1.5
UCFL 307	35	185	141	20	16	36	23	100	49	48	19	M20	UC 307	FL 307	1.8
UCFL 308	40	200	158	23	17	40	23	112	56	52	19	M20	UC 308	FL 308	2.4
UCFL 309	45	230	177	25	18	44	25	125	60	57	22	M22	UC 309	FL 309	3.4
UCFL 310	50	240	187	28	19	48	25	140	67	61	22	M22	UC 310	FL 310	4.3
UCFL 311	55	250	198	30	20	52	25	150	71	66	25	M22	UC 311	FL 311	5.1
UCFL 312	60	270	212	33	22	56	31	160	78	71	26	M27	UC 312	FL 312	6.2
UCFL 313	65	295	240	33	25	58	31	175	78	75	30	M27	UC 313	FL 313	7.4
UCFL 314	70	315	250	36	28	61	35	185	81	78	33	M30	UC 314	FL 314	9.0
UCFL 315	75	320	260	39	30	66	35	195	89	82	32	M30	UC 315	FL 315	10.0
UCFL 316	80	355	285	38	32	68	38	210	90	86	34	M33	UC 316	FL 316	12.6
UCFL 317	85	370	300	44	32	74	38	220	100	96	40	M33	UC 317	FL 317	14.5
UCFL 318	90	385	315	44	36	76	38	235	100	96	40	M33	UC 318	FL 318	17.1
UCFL 319	95	405	330	59	40	94	41	250	121	103	41	M36	UC 319	FL 319	21.8
UCFL 320	100	440	360	59	40	94	44	270	125	108	42	M39	UC 320	FL 320	26.5
UCFL 321	105	440	360	59	40	94	44	270	127	112	44	M39	UC 321	FL 321	28.2
UCFL 322	110	470	390	60	42	96	44	300	131	117	46	M39	UC 322	FL 322	33.1
UCFL 324	120	520	430	65	48	110	47	330	140	126	51	M42	UC 324	FL 324	45.7
UCFL 326	130	550	460	65	50	115	47	360	146	135	54	M42	UC 326	FL 326	57.5
UCFL 328	140	600	500	75	60	125	51	400	161	145	59	M45	UC 328	FL 328	79.7

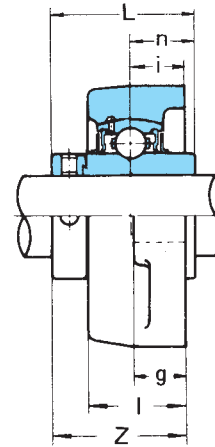
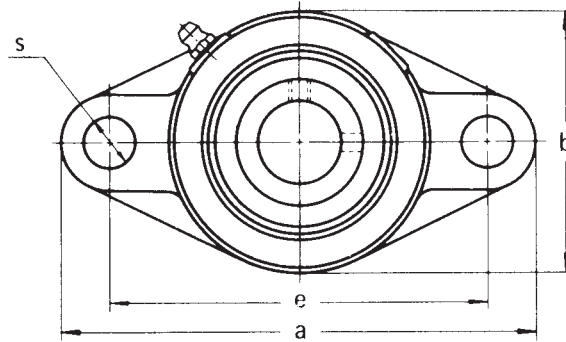
Inch series

Unit No.	Shaft Dia. (inch)	Dimensions (inch)										Bolt Size (inch)	Bearing No.	Housing No.	Weight (lb.)
		a	e	i	g	l	s	b	Z	Bi	n				
UCFL 305-14 305-16	7/8 1	5.875	4.453	0.630	0.500	1.156	0.750	3.125	1.535	1.496	0.591	5/8	UC 305-14 305-16	FL 305	2.42
UCFL 306-18	1-1/8	7.063	5.281	0.709	0.594	1.250	0.906	3.563	1.732	1.693	0.669	3/4	UC 306-18	FL 306	3.31
UCFL 307-20 307-22	1-1/4 1-3/8	7.313	5.547	0.787	0.625	1.406	0.906	3.938	1.929	1.890	0.748	3/4	UC 307-20 307-22	FL 307	3.97
UCFL 308-24	1-1/2	7.875	6.219	0.906	0.656	1.563	0.906	4.438	2.205	2.047	0.748	3/4	UC 308-24	FL 308	5.29
UCFL 309-26 309-28	1-5/8 1-3/4	9.063	6.969	0.984	0.719	1.719	0.984	4.938	2.362	2.244	0.866	7/8	UC 309-26 309-28	FL 309	7.49
UCFL 310-30	1-7/8	9.438	7.359	1.102	0.750	1.875	0.984	5.500	2.638	2.402	0.866	7/8	UC 310-30	FL 310	9.48
UCFL 311-32 311-34	2 2-1/8	9.813	7.797	1.181	0.781	2.063	0.984	5.875	2.795	2.598	0.984	7/8	UC 311-32 311-34	FL 311	11.24
UCFL 312-36 312-38	2-1/4 2-3/8	10.625	8.344	1.299	0.875	2.219	1.219	6.313	3.071	2.795	1.024	1	UC 312-36 312-38	FL 312	13.66
UCFL 313-40	2-1/2	11.625	9.453	1.299	1.000	2.281	1.219	6.875	3.071	2.953	1.181	1	UC 313-40	FL 313	16.31
UCFL 314-44	2-3/4	12.375	9.844	1.417	1.094	2.406	1.375	7.313	3.189	3.071	1.299	1-1/8	UC 314-44	FL 314	19.84
UCFL 315-48	3	12.625	10.234	1.535	1.188	2.594	1.375	7.688	3.504	3.228	1.260	1-1/8	UC 315-48	FL 315	22.04
UCFL 316-50	3-1/8	14.000	11.188	1.496	1.250	2.688	1.500	8.250	3.543	3.386	1.339	1-1/4	UC 316-50	FL 316	27.77
UCFL 317-52	3-1/4	14.563	11.813	1.732	1.250	2.906	1.500	8.688	3.937	3.780	1.575	1-1/4	UC 317-52	FL 317	31.96
UCFL 318-56	3-1/2	15.188	12.406	1.732	1.406	3.000	1.500	9.250	3.937	3.780	1.575	1-1/4	UC 318-56	FL 318	37.69
UCFL 319-60	3-3/4	15.938	12.984	2.323	1.563	3.688	1.609	9.813	4.764	4.055	1.614	1-3/8	UC 319-60	FL 319	48.05
UCFL 320-64	4	17.313	14.172	2.323	1.563	3.688	1.734	10.625	4.921	4.252	1.654	1-1/2	UC 320-64	FL 320	58.41

Two-Bolt Flange Units

Type

UGFL 200



Metric series

Unit No.	Shaft Dia. mm	Dimensions mm										Bolt Size mm	Bearing No.	Housing No.	Weight kg
		a	e	i*	g	l	s	b	Z	L	n*				
UGFL 204	20	113	90	15	12	25.5	12	60	34.5	43.7	17.1	M10	UG 204+ER	FL 204	0.5
UGFL 205	25	130	99	16	14	27.0	16	68	36.5	44.4	17.5	M14	UG 205+ER	FL 205	0.67
UGFL 206	30	148	117	18	14	31.0	16	80	41.0	48.4	18.3	M14	UG 206+ER	FL 206	1.02
UGFL 207	35	161	130	19	16	34.0	16	90	43.5	51.1	18.8	M14	UG 207+ER	FL 207	1.4
UGFL 208	40	175	144	21	16	36.0	16	100	46.5	56.3	21.4	M14	UG 208+ER	FL 208	1.7
UGFL 209	45	188	148	22	18	38.0	19	108	49.0	56.3	21.4	M16	UG 209+ER	FL 209	2.1
UGFL 210	50	197	157	22	18	40.0	19	115	49.5	62.7	24.6	M16	UG 210+ER	FL 210	2.3

Inch series

Unit No.	Shaft Dia. (inch)	Dimensions (inch)										Bolt Size (inch)	Bearing No.	Housing No.	Weight (lb.)
		a	e	i*	g	l	s	b	Z	L	n*				
UGFL 204-12	3/4	4.438	3.547	0.591	0.469	1.000	0.469	2.375	1.358	1.720	0.673	3/8	UG 204-12+ER	FL 204	1.10
UGFL 205-14	7/8	5.125	3.891	0.630	0.563	1.063	0.625	2.688	1.437	1.748	0.689	1/2	UG 205-14+ER	FL 205	1.54
UGFL 205-16	1	5.125	3.891	0.630	0.563	1.063	0.625	2.688	1.437	1.748	0.689	1/2	UG 205-16+ER	FL 205	1.48
UGFL 206-18	1-1/8	5.813	4.609	0.709	0.563	1.219	0.625	3.125	1.614	1.906	0.720	1/2	UG 206-18+ER	FL 206	2.29
UGFL 207-20	1-1/4	6.313	5.125	0.748	0.625	1.344	0.625	3.563	1.713	2.012	0.740	1/2	UG 207-20+ER	FL 207	3.11
UGFL 207-22	1-3/8	6.313	5.125	0.748	0.625	1.344	0.625	3.563	1.713	2.012	0.740	1/2	UG 207-22+ER	FL 207	3.00
UGFL 208-24	1-1/2	6.875	5.672	0.827	0.625	1.406	0.625	3.938	1.831	2.217	0.843	1/2	UG 208-24+ER	FL 208	3.86
UGFL 209-26	1-5/8	7.375	5.828	0.866	0.719	1.500	0.750	4.250	1.929	2.217	0.843	5/8	UG 209-26+ER	FL 209	4.81
UGFL 209-28	1-3/4	7.375	5.828	0.866	0.719	1.500	0.750	4.250	1.929	2.217	0.843	5/8	UG 209-28+ER	FL 209	4.63
UGFL 210-30	1-7/8	7.750	6.188	0.866	0.719	1.563	0.750	4.500	1.949	2.469	0.969	5/8	UG 210-30+ER	FL 210	5.20

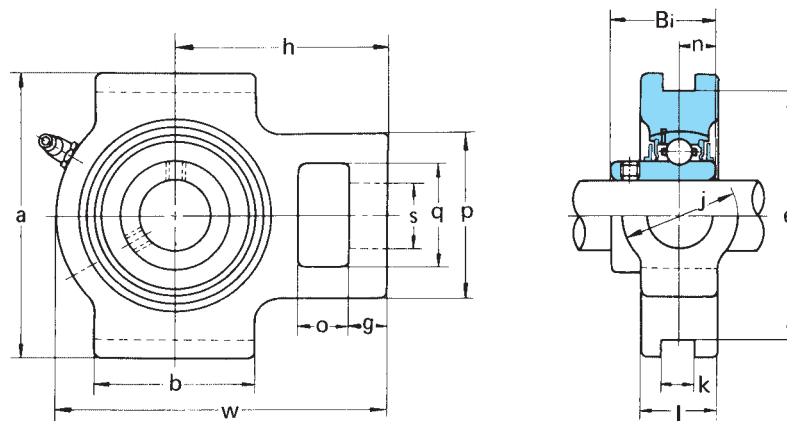
Note *: When the side surface of inner ring must be lower than the fixing face of housing ($i > n$), please consult us.

Take-up Units

Type

UCT 200

(Diameter series 2)



Metric series

Unit No.	Shaft Dia. mm	Dimensions mm															Bearing No.	Housing No.	Weight kg
		o	g	p	q	s	b	k	e	a	w	j	l	h	Bi	n			
UCT 201	12	16	10	51	32	19	51	12	76	89	94	32	21	61	31	12.7	UC 201	T 204	0.79
UCT 202	15	16	10	51	32	19	51	12	76	89	94	32	21	61	31	12.7	UC 202	T 204	0.77
UCT 203	17	16	10	51	32	19	51	12	76	89	94	32	21	61	31	12.7	UC 203	T 204	0.76
UCT 204	20	16	10	51	32	19	51	12	76	89	94	32	21	61	31	12.7	UC 204	T 204	0.74
UCT 205	25	16	10	51	32	19	51	12	76	89	97	32	24	62	34	14.3	UC 205	T 205	0.82
UCT 206	30	16	10	56	37	22	57	12	89	102	113	37	28	70	38.1	15.9	UC 206	T 206	1.3
UCT 207	35	16	13	64	37	22	64	12	89	102	129	37	30	78	42.9	17.5	UC 207	T 207	1.6
UCT 208	40	19	16	83	49	29	83	16	102	114	144	49	33	88	49.2	19	UC 208	T 208	2.4
UCT 209	45	19	16	83	49	29	83	16	102	117	144	49	35	87	49.2	19	UC 209	T 209	2.4
UCT 210	50	19	16	83	49	29	86	16	102	117	149	49	37	90	51.6	19	UC 210	T 210	2.5
UCT 211	55	25	19	102	64	35	95	22	130	146	171	64	38	106	55.6	22.2	UC 211	T 211	4.0
UCT 212	60	32	19	102	64	35	102	22	130	146	194	64	42	119	65.1	25.4	UC 212	T 212	5.1
UCT 213	65	32	21	111	70	41	121	26	151	167	224	70	44	137	65.1	25.4	UC 213	T 213	7.0
UCT 214	70	32	21	111	70	41	121	26	151	167	224	70	46	137	74.6	30.2	UC 214	T 214	7.1
UCT 215	75	32	21	111	70	41	121	26	151	167	232	70	48	140	77.8	33.3	UC 215	T 215	7.5
UCT 216	80	32	21	111	70	41	121	26	165	184	235	70	51	140	82.6	33.3	UC 216	T 216	8.5
UCT 217	85	38	29	124	73	48	157	30	173	198	260	73	54	162	85.7	34.1	UC 217	T 217	11.2

Inch series

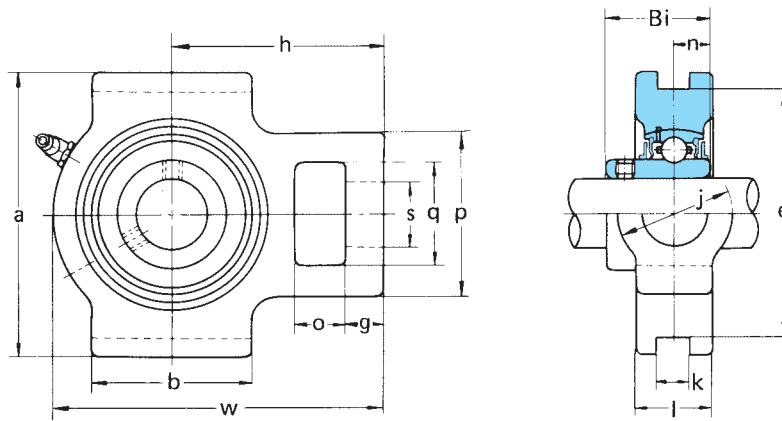
Unit No.	Shaft Dia. (inch)	Dimensions (inch)															Bearing No.	Housing No.	Weight (lb.)
		o	g	p	q	s	b	k	e	a	w	j	l	h	Bi	n			
UCT 201-8	1/2																UC 201-8		1.74
UCT 202-9	9/16	0.625	0.375	2.000	1.250	0.750	2.000	0.472	2.992	3.500	3.688	1.250	0.813	2.406	1.220	0.500	UC 202-9	T 204	1.70
UCT 202-10	5/8																UC 202-10		1.70
UCT 203-11	11/16																UC 203-11		1.68
UCT 204-12	3/4	0.625	0.375	2.000	1.250	0.750	2.000	0.472	2.992	3.500	3.688	1.250	0.813	2.406	1.220	0.500	UC 204-12	T 204	1.63
UCT 205-14	7/8																UC 205-14		
UCT 205-15	15/16	0.625	0.375	2.000	1.250	0.750	2.000	0.472	2.992	3.500	3.813	1.250	0.938	2.438	1.339	0.563	UC 205-15	T 205	1.81
UCT 205-16	1																UC 205-16		
UCT 206-17	1-1/16																UC 206-17		
UCT 206-18	1-1/8	0.625	0.375	2.188	1.438	0.875	2.250	0.472	3.504	4.000	4.438	1.438	1.125	2.750	1.500	0.626	UC 206-18	T 206	2.87
UCT 206-19	1-3/16																UC 206-19		
UCT 207-20	1-1/4																UC 207-20		
UCT 207-21	1-5/16	0.625	0.500	2.500	1.438	0.875	2.500	0.472	3.504	4.000	5.063	1.438	1.188	3.063	1.689	0.689	UC 207-21	T 207	3.53
UCT 207-22	1-3/8																UC 207-22		
UCT 207-23	1-7/16																UC 207-23		
UCT 208-24	1-1/2																UC 208-24		
UCT 208-25	1-9/16	0.750	0.625	3.250	1.938	1.125	3.250	0.630	4.016	4.500	5.688	1.938	1.313	3.469	1.937	0.748	UC 208-25	T 208	5.29
UCT 209-26	1-5/8																UC 209-26		
UCT 209-27	1-11/16	0.750	0.625	3.250	1.938	1.125	3.250	0.630	4.016	4.625	5.688	1.938	1.375	3.438	1.937	0.748	UC 209-27	T 209	5.29
UCT 209-28	1-3/4																UC 209-28		
UCT 210-30	1-7/8																UC 210-30		
UCT 210-31	1-15/16	0.750	0.625	3.250	1.938	1.125	3.375	0.630	4.016	4.625	5.875	1.938	1.438	3.531	2.032	0.748	UC 210-31	T 210	5.51
UCT 211-32	2																UC 211-32		
UCT 211-34	2-1/8	1.000	0.750	4.000	2.500	1.375	3.750	0.866	5.118	5.750	6.750	2.500	1.500	4.188	2.189	0.874	UC 211-34	T 211	8.82
UCT 211-35	2-3/16																UC 211-35		
UCT 212-36	2-1/4																UC 212-36		
UCT 212-38	2-3/8	1.250	0.750	4.000	2.500	1.375	4.000	0.866	5.118	5.750	7.625	2.500	1.625	4.688	2.563	1.000	UC 212-38	T 212	11.24
UCT 212-39	2-7/16																UC 212-39		
UCT 213-40	2-1/2	1.250	0.813	4.375	2.750	1.625	4.750	1.024	5.945	6.563	8.813	2.750	1.750	5.406	2.563	1.000	UC 213-40	T 213	15.43
*UCT 214-44	2-3/4	1.250	0.813	4.375	2.750	1.625	4.750	1.024	5.945	6.563	8.813	2.750	1.813	5.406	2.937	1.189	UC 214-44	T 213	15.65
*UCT 215-48	3	1.250	0.813	4.375	2.750	1.625	4.750	1.024	5.945	6.563	9.125	2.750	1.875	5.500	3.063	1.311	UC 215-48	T 215	16.53
*UCT 216-50	3-1/8	1.250	0.813	4.375	2.750	1.625	4.750	1.024	6.496	7.250	9.250	2.750	2.000	5.500	3.252	1.311	UC 216-50	T 216	18.73
*UCT 217-52	3-1/4	1.500	1.125	4.875	2.875	1.875	6.188	1.181	6.811	7.813	10.250	2.875	2.125	6.375	3.374	1.343	UC 217-52	T 217	24.68

Take-up Units

Type

UCT X00

(Diameter series X)



Metric series

Unit No.	Shaft Dia. mm	Dimensions mm														Bearing No.	Housing No.	Weight kg	
		o	g	p	q	s	b	k	e	a	w	j	l	h	Bi				n
UCT X05	25	16	10	56	37	22	57	12	89	102	113	37	28	70	38.1	15.9	UC X05	T X05	1.3
UCT X06	30	16	13	64	37	22	64	12	89	102	129	37	30	78	42.9	17.5	UC X06	T X06	1.6
UCT X07	35	19	15	83	49	29	83	16	102	114	144	49	36	88	49.2	19	UC X07	T X07	2.6
UCT X08	40	19	15	83	49	29	83	16	102	117	144	49	36	87	49.2	19	UC X08	T X08	2.6
UCT X09	45	19	16	83	49	29	86	16	102	117	149	49	38	90	51.6	19	UC X09	T X09	2.8
UCT X10	50	25	19	102	64	35	95	22	130	146	171	64	42	106	55.6	22.2	UC X10	T X10	4.4
UCT X11	55	32	19	102	64	35	102	22	130	146	194	64	44	119	65.1	25.4	UC X11	T X11	5.2
UCT X12	60	32	21	111	70	41	121	26	151	167	224	70	48	137	65.1	25.4	UC X12	T X12	7.2
UCT X13	65	32	21	111	70	41	121	26	151	167	224	70	48	137	74.6	30.2	UC X13	T X13	7.4
UCT X14	70	32	21	111	70	41	121	26	151	167	232	70	48	140	77.8	33.3	UC X14	T X14	7.7
UCT X15	75	32	21	111	70	41	121	28	165	184	235	70	48	140	82.6	33.3	UC X15	T X15	8.4
UCT X16	80	38	28	124	73	48	157	28	173	198	260	73	54	162	85.7	34.1	UC X16	T X16	11.3
UCT X17	85	38	28	124	73	48	157	28	173	198	260	73	54	162	96	39.7	UC X17	T X17	11.0

Inch series

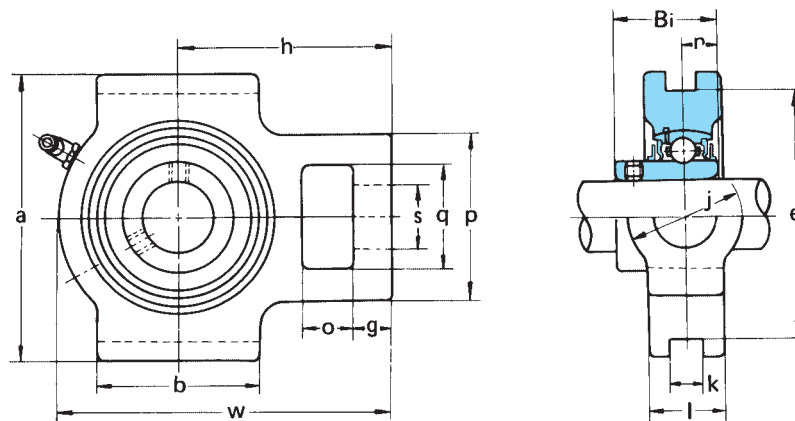
Unit No.	Shaft Dia. (inch)	Dimensions (inch)														Bearing No.	Housing No.	Weight (lb.)																		
		o	g	p	q	s	b	k	e	a	w	j	l	h	Bi				n																	
UCT X05-14	7/8	0.625	0.375	2.188	1.438	0.875	2.250	0.472	3.504	4.000	4.438	1.438	1.125	2.750	1.500	0.626	UC X05-14	T X05	2.87																	
X05-15	15/16																																			
X05-16	1																																			
UCT X06-18	1-1/8	0.625	0.500	2.500	1.438	0.875	2.500	0.472	3.504	4.000	5.063	1.438	1.188	3.063	1.689	0.689	UC X06-18	T X06	3.53																	
X06-19	1-3/16																																			
X06-20	1-1/4																																			
UCT X07-22	1-3/8	0.750	0.563	3.250	1.938	1.125	3.250	0.630	4.016	4.500	5.688	1.938	1.438	3.469	1.937	0.748	UC X07-22	T X07	5.73																	
X07-23	1-7/16																																			
UCT X08-24	1-1/2																0.750			0.563	3.250	1.938	1.125	3.250	0.630	4.016	4.625	5.688	1.938	1.438	3.438	1.937	0.748	UC X08-24	T X08	5.73
UCT X09-26	1-5/8	0.750	0.625	3.250	1.938	1.125	3.375	0.630	4.016	4.625	5.875	1.938	1.500	3.531	2.032	0.748		UC X09-26	T X09															6.17		
X09-27	1-11/16																																			
X09-28	1-3/4																																			
UCT X10-30	1-7/8	1.000	0.750	4.000	2.500	1.375	3.750	0.866	5.118	5.750	6.750	2.500	1.625	4.188	2.189	0.874	UC X10-30	T X10	9.70																	
X10-31	1-15/16																																			
X10-32	2																																			
UCT X11-34	2-1/8	1.250	0.750	4.000	2.500	1.375	4.000	0.866	5.118	5.750	7.625	2.500	1.750	4.688	2.563	1.000	UC X11-34	T X11	11.46																	
X11-35	2-3/16																																			
X11-36	2-1/4																																			
UCT X12-38	2-3/8	1.250	0.813	4.375	2.750	1.625	4.750	1.024	5.945	6.563	8.813	2.750	1.875	5.406	2.563	1.000	UC X12-38	T X12	15.87																	
X12-39	2-7/16																																			
UCT X13-40	2-1/2																1.250			0.813	4.375	2.750	1.625	4.750	1.024	5.945	6.563	8.813	2.750	1.875	5.406	2.937	1.189	UC X13-40	T X13	16.31
UCT X14-43	2-11/16	1.250	0.813	4.375	2.750	1.625	4.750	1.024	5.945	6.563	9.125	2.750	1.875	5.500	2.063	1.311		UC X14-43	T X14															16.97		
X14-44	2-3/4																																			
UCT X15-47	2-15/16																1.250	0.813		4.375	2.750	1.625	4.750	1.102	6.496	7.250	9.250	2.750	1.875	5.500	3.252	1.311	UC X15-47		T X15	18.51
X15-48	3																																			
UCT X16-51	3-3/16	1.500	1.125	4.875	2.875	1.875	6.188	1.102	6.811	7.813	10.250	2.875	2.125	6.375	3.374	1.343			UC X16-51														T X16	24.91		
UCT X17-52	3-1/4																1.500	1.125	4.875	2.875	1.875	6.188	1.102	6.811	7.813	10.250	2.875	2.125	6.375	3.780	1.563	UC X17-52			T X17	24.24
X17-55	3-7/16																																			

Take-up Units

Type

UCT 300

(Diameter series 3)



Metric series

Unit No.	Shaft Dia. mm	Dimensions mm														Bearing No.	Housing No.	Weight kg	
		o	g	p	q	s	b	k	e	a	w	j	l	h	Bi				n
UCT 305	25	16	12	62	36	26	65	12	80	89	122	36	26	76	38	15	UC 305	T 305	1.4
UCT 306	30	18	14	70	41	28	74	16	90	100	137	41	28	85	43	17	UC 306	T 306	1.8
UCT 307	35	20	15	75	45	30	80	16	100	111	150	45	32	94	48	19	UC 307	T 307	2.4
UCT 308	40	22	17	83	50	32	89	18	112	124	162	50	34	100	52	19	UC 308	T 308	3.0
UCT 309	45	24	18	90	55	34	97	18	125	138	178	55	38	110	57	22	UC 309	T 309	4.1
UCT 310	50	27	20	98	61	37	106	20	140	151	191	61	40	117	61	22	UC 310	T 310	5.2
UCT 311	55	29	21	105	66	39	115	22	150	163	207	66	44	127	66	25	UC 311	T 311	6.4
UCT 312	60	31	23	113	71	41	123	22	160	178	220	71	46	135	71	26	UC 312	T 312	7.6
UCT 313	65	32	25	116	70	43	134	26	170	190	238	80	50	146	75	30	UC 313	T 313	9.2
UCT 314	70	36	25	130	85	46	140	26	180	202	252	90	52	155	78	33	UC 314	T 314	11.2
UCT 315	75	36	25	132	85	46	150	26	192	216	262	90	55	160	82	32	UC 315	T 315	13.0
UCT 316	80	42	28	150	98	53	160	30	204	230	282	102	60	174	86	34	UC 316	T 316	15.6
UCT 317	85	42	30	152	98	53	170	32	214	240	298	102	64	183	96	40	UC 317	T 317	19.3
UCT 318	90	46	30	160	106	57	175	32	228	255	312	110	66	192	96	40	UC 318	T 318	21.2
UCT 319	95	46	31	165	106	57	180	35	240	270	322	110	72	197	103	41	UC 319	T 319	24.4
UCT 320	100	48	32	175	115	59	200	35	260	290	345	120	75	210	108	42	UC 320	T 320	30.6
UCT 321	105	48	32	175	115	59	200	35	260	290	345	120	75	210	112	44	UC 321	T 321	30.2
UCT 322	110	52	38	185	125	65	215	38	285	320	385	130	80	235	117	46	UC 322	T 322	38.8
UCT 324	120	60	42	210	140	70	230	45	320	355	432	140	90	267	126	51	UC 324	T 324	54.6
UCT 326	130	65	45	220	150	75	240	50	350	385	465	150	100	285	135	54	UC 326	T 326	68.4
UCT 328	140	70	50	230	160	80	255	50	380	415	515	155	100	315	145	59	UC 328	T 328	83.2

Inch series

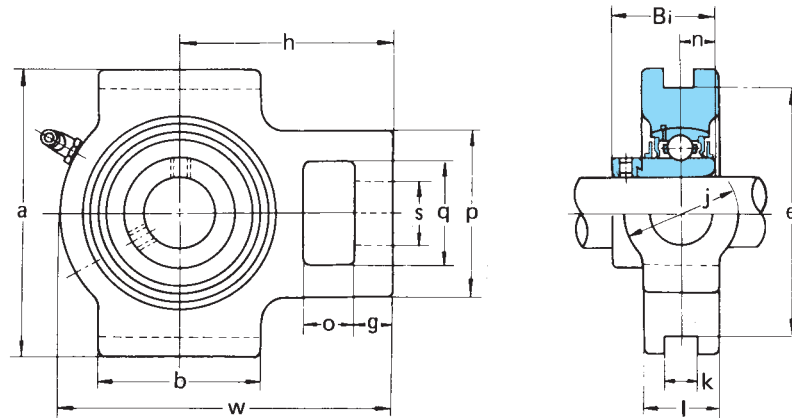
Unit No.	Shaft Dia. (inch)	Dimensions (inch)														Bearing No.	Housing No.	Weight (lb.)	
		o	g	p	q	s	b	k	e	a	w	j	l	h	Bi				n
UCT 305-14 305-16	7/8 1	0.625	0.500	2.438	1.438	1.000	2.563	0.472	3.150	3.500	4.813	1.438	1.000	3.000	1.496	0.591	UC 305-14 305-16	T 305	3.09
UCT 306-18	1-1/8	0.688	0.563	2.750	1.625	1.125	2.938	0.630	3.543	3.938	5.375	1.625	1.125	3.344	1.693	0.669	UC 306-18	T 306	3.97
UCT 307-20 307-22	1-1/4 1-3/8	0.813	0.563	2.938	1.750	1.188	3.125	0.630	3.937	4.375	5.875	1.750	1.250	3.688	1.890	0.748	UC 307-20 307-22	T 307	5.29
UCT 308-24	1-1/2	0.875	0.688	3.250	1.938	1.250	3.500	0.709	4.409	4.875	6.375	1.938	1.313	3.938	2.047	0.748	UC 308-24	T 308	6.61
UCT 309-26 309-28	1-5/8 1-3/4	0.938	0.688	3.563	2.188	1.313	3.813	0.709	4.921	5.438	7.000	2.188	1.500	4.344	2.244	0.866	UC 309-26 309-28	T 309	9.04
UCT 310-30	1-7/8	1.063	0.813	3.875	2.375	1.438	4.188	0.787	5.512	5.938	7.500	2.375	1.563	4.594	2.402	0.866	UC 310-30	T 310	11.46
UCT 311-32 311-34	2 2-1/8	1.125	0.813	4.125	2.625	1.563	4.500	0.866	5.906	6.438	8.125	2.625	1.750	5.000	2.598	0.984	UC 311-32 311-34	T 311	14.11
UCT 312-36 312-38	2-1/4 2-3/8	1.250	0.875	4.438	2.813	1.625	4.813	0.866	6.299	7.000	8.688	2.813	1.813	5.313	2.795	1.024	UC 312-36 312-38	T 312	16.75
UCT 313-40	2-1/2	1.250	1.000	4.563	2.750	1.688	5.250	1.024	6.693	7.500	9.375	3.125	1.938	5.750	2.953	1.181	UC 313-40	T 313	20.28
UCT 314-44	2-3/4	1.438	1.000	5.125	3.375	1.813	5.500	1.024	7.087	7.938	9.938	3.563	2.063	6.094	3.071	1.299	UC 314-44	T 314	24.68
UCT 315-48	3	1.438	1.000	5.188	3.375	1.813	5.875	1.024	7.559	8.500	10.313	3.563	2.188	6.313	3.228	1.260	UC 315-48	T 315	28.65
UCT 316-50	3-1/8	1.625	1.125	5.875	3.875	2.063	6.313	1.181	8.031	9.063	11.125	4.000	2.375	6.844	3.386	1.339	UC 316-50	T 316	34.38
UCT 317-52	3-1/4	1.625	1.188	6.000	3.875	2.063	6.688	1.260	8.425	9.438	11.750	4.000	2.500	7.219	3.780	1.575	UC 317-52	T 317	42.54
UCT 318-56	3-1/2	1.813	1.188	6.313	4.188	2.250	6.875	1.260	8.976	10.063	12.313	4.313	2.625	7.563	3.780	1.575	UC 318-56	T 318	46.72
UCT 319-60	3-3/4	1.813	1.250	6.500	4.188	2.250	7.063	1.378	9.449	10.625	12.688	4.313	2.813	7.750	4.055	1.614	UC 319-60	T 319	53.78
UCT 320-64	4	1.875	1.250	6.875	4.500	2.313	7.875	1.378	10.236	11.438	13.563	4.750	2.938	8.281	4.252	1.654	UC 320-64	T 320	67.44

Take-Up Units

Type

UGT 200+EE

(Normal duty)



Metric series

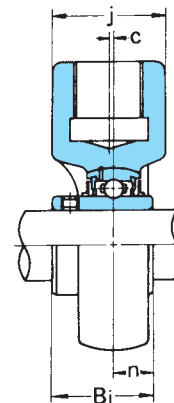
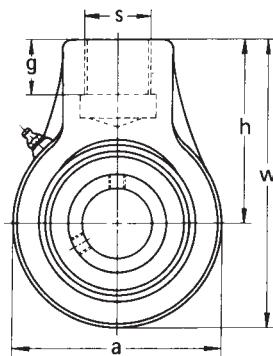
Unit No.	Shaft Dia. mm	Dimensions mm															Bearing No.	Housing No.	Weight kg
		o	g	p	q	s	b	k	e	a	w	j	l	h	Bi	n			
UGT 204+EE	20	16	10	51	32	19	51	12	76	89	94	32	21	61	31	17.1	UG 204+EE	T 204	0.79
UGT 205+EE	25	16	10	51	32	19	51	12	76	89	97	32	24	62	34	17.5	UG 205+EE	T 205	0.86
UGT 206+EE	30	16	10	56	37	22	57	12	89	102	113	37	28	70	38.1	18.3	UG 206+EE	T 206	1.4
UGT 207+EE	35	16	13	64	37	22	64	12	89	102	129	37	30	78	42.9	18.8	UG 207+EE	T 207	1.8
UGT 208+EE	40	19	16	83	49	29	83	16	102	114	144	49	33	88	49.2	21.4	UG 208+EE	T 208	2.6
UGT 209+EE	45	19	16	83	49	29	83	16	102	117	144	49	35	87	49.2	21.4	UG 209+EE	T 209	2.6
UGT 210+EE	50	19	16	83	49	29	86	16	102	117	149	49	37	90	51.6	24.6	UG 210+EE	T 210	2.7

Hanger Bearing Units

Type

UCECH 200

(Diameter series 2)



Metric series

Unit No.	Shaft Dia. mm	Dimensions mm									Bearing No.	Housing No.	Weight kg
		a	w	h	j	s	g	Bi	n	c			
UCECH 201	12	64	96	64	40	PF 3/4	19	31	12.7	0	UC 201	ECH 204	0.85
UCECH 202	15	64	96	64	40	PF 3/4	19	31	12.7	0	UC 202	ECH 204	0.83
UCECH 203	17	64	96	64	40	PF 3/4	19	31	12.7	0	UC 203	ECH 204	0.82
UCECH 204	20	64	96	64	40	PF 3/4	19	31	12.7	0	UC 204	ECH 204	0.8
UCECH 205	25	70	99	64	40	PF 3/4	19	34	14.3	0	UC 205	ECH 205	0.74
UCECH 206	30	80	104	64	40	PF 3/4	19	38.1	15.9	0	UC 206	ECH 206	0.91
UCECH 207	35	92	116	70	40	PF 3/4	19	42.9	17.5	0	UC 207	ECH 207	1.2
UCECH 208	40	96	121	73	40	PF 3/4	19	49.2	19	2	UC 208	ECH 208	1.4
UCECH 209	45	108	136	82	48	PF 1	21	49.2	19	4	UC 209	ECH 209	1.8
UCECH 210	50	114	140	83	48	PF 1	21	51.6	19	5	UC 210	ECH 210	1.9
UCECH 211	55	126	160	97	60	PF 1-1/4	28	55.6	22.2	6	UC 211	ECH 211	2.3
UCECH 212	60	142	173	102	60	PF 1-1/4	28	65.1	25.4	9	UC 212	ECH 212	4.2

Inch series

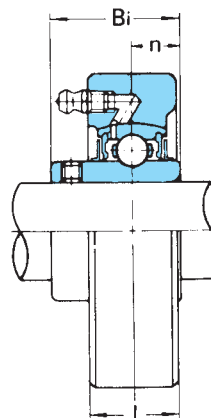
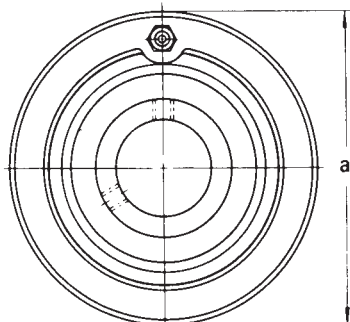
Unit No.	Shaft Dia. (inch)	Dimensions (inch)									Bearing No.	Housing No.	Weight (lb.)
		a	w	h	j	s	g	Bi	n	c			
UCECH 201-8	1/2	2.500	3.781	2.531	1.563	PF 3/4	0.750	1.220	0.500	0	UC 201-8	ECH 204	1.87
UCECH 202-9	9/16										UC 202-9		1.83
UCECH 202-10	5/8										UC 202-10		1.81
UCECH 203-11	11/16										UC 203-11		1.76
UCECH 204-12	3/4	2.750	3.875	2.500	1.563	PF 3/4	0.750	1.339	0.563	0	UC 204-12	ECH 205	1.63
UCECH 205-14	7/8										UC 205-14		2.01
UCECH 205-15	15/16										UC 205-15		
UCECH 205-16	1	UC 205-16	2.64										
UCECH 206-17	1-1/16	3.125		4.125	2.500	1.563	PF 3/4	0.750	1.500	0.626	0	UC 206-17	ECH 206
UCECH 206-18	1-1/8											UC 206-18	
UCECH 206-19	1-3/16		UC 206-19										
UCECH 207-20	1-1/4	3.625	4.563	2.750	1.563	PF 3/4	0.750	1.689	0.689	0	UC 207-20	ECH 207	3.09
UCECH 207-21	1-5/16										UC 207-21		
UCECH 207-22	1-3/8										UC 207-22		
UCECH 207-23	1-7/16										UC 207-23		
UCECH 208-24	1-1/2	3.750	4.750	2.875	1.563	PF 3/4	0.750	1.937	0.748	0.079	UC 208-24	ECH 208	
UCECH 208-25	1-9/16										UC 208-25		
UCECH 209-26	1-5/8	4.250	5.375	3.250	1.875	PF 1	0.813	1.937	0.748	0.158	UC 209-26	ECH 209	3.97
UCECH 209-27	1-11/16										UC 209-27		
UCECH 209-28	1-3/4										UC 209-28		
UCECH 210-30	1-7/8	4.500	5.500	3.250	1.875	PF 1	0.813	2.032	0.748	0.197	UC 210-30	ECH 210	4.19
UCECH 210-31	1-15/16										UC 210-31		
UCECH 211-32	2	4.969	6.313	3.813	2.375	PF 1-1/4	1.094	2.189	0.874	0.236	UC 211-32	ECH 211	5.07
UCECH 211-34	2-1/8										UC 211-34		
UCECH 211-35	2-3/16										UC 211-35		
UCECH 212-36	2-1/4	5.594	6.813	4.000	2.375	PF 1-1/4	1.094	2.563	1.000	0.354	UC 212-36	ECH 212	9.26
UCECH 212-38	2-3/8										UC 212-38		
UCECH 212-39	2-7/16										UC 212-39		

Cylindrical Cartridge Units

Type

UCC 200

(Diameter series 2)



Metric series

Unit No.	Shaft Dia. mm	Dimensions mm				Bearing No.	Housing No.	Weight kg
		a	l	Bi	n			
UCC 201	12	72	20	31	12.7	UC 201	C 204	0.54
UCC 202	15	72	20	31	12.7	UC 202	C 204	0.52
UCC 203	17	72	20	31	12.7	UC 203	C 204	0.51
UCC 204	20	72	20	31	12.7	UC 204	C 204	0.49
UCC 205	25	80	22	34	14.3	UC 205	C 205	0.65
UCC 206	30	85	27	38.1	15.9	UC 206	C 206	0.82
UCC 207	35	90	28	42.9	17.5	UC 207	C 207	0.93
UCC 208	40	100	30	49.2	19	UC 208	C 208	1.2
UCC 209	45	110	31	49.2	19	UC 209	C 209	1.5
UCC 210	50	120	33	51.6	19	UC 210	C 210	1.9
UCC 211	55	125	35	55.6	22.2	UC 211	C 211	2.1
UCC 212	60	130	38	65.1	25.4	UC 212	C 212	2.5
UCC 213	65	140	40	65.1	25.4	UC 213	C 213	3.0

Inch series

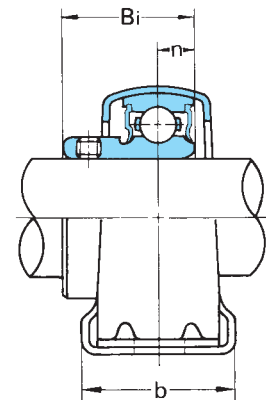
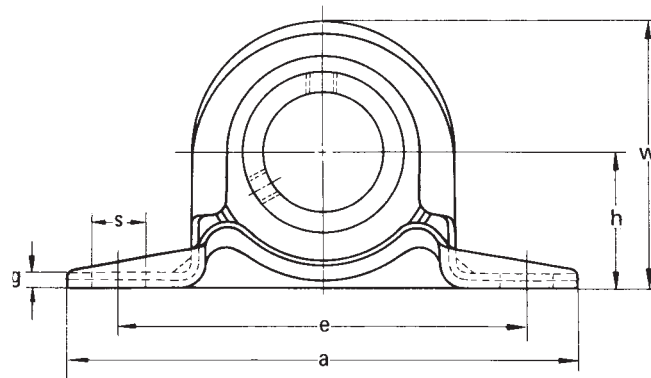
Unit No.	Shaft Dia. (inch)	Dimensions (inch)				Bearing No.	Housing No.	Weight (lb.)
		a	l	Bi	n			
UCC 201-8	1/2					UC 201-8		1.19
UCC 202-9 202-10	9/16 5/8	2.8346	0.787	1.220	0.500	UC 202-9 202-10	C 204	1.15
UCC 203-11	11/16					UC 203-11		1.12
UCC 204-12	3/4	2.8346	0.787	1.220	0.500	UC 204-12	C 204	1.08
UCC 205-14 205-15 205-16	7/8 15/16 1	3.1496	0.866	1.339	0.563	UC 205-14 205-15 205-16	C 205	1.43
UCC 206-17 206-18 206-19	1-1/16 1-1/8 1-3/16	3.3465	1.063	1.500	0.626	UC 206-17 206-18 206-19	C 206	1.81
UCC 207-20 207-21 207-22 207-23	1-1/4 1-5/16 1-3/8 1-7/16	3.5433	1.102	1.689	0.689	UC 207-20 207-21 207-22 207-23	C 207	2.05
UCC 208-24 208-25	1-1/2 1-9/16	3.9370	1.181	1.937	0.748	UC 208-24 208-25	C 208	2.64
UCC 209-26 209-27 209-28	1-5/8 1-11/16 1-3/4	4.3307	1.220	1.937	0.748	UC 209-26 209-27 209-28	C 209	3.31
UCC 210-30 210-31	1-7/8 1-15/16	4.7244	1.299	2.032	0.748	UC 210-30 210-31	C 210	4.19
UCC 211-32 211-34 211-35	2 2-1/8 2-3/16	4.9213	1.378	2.189	0.874	UC 211-32 211-34 211-35	C 211	4.63
UCC 212-36 212-38 212-39	2-1/4 2-3/8 2-7/16	5.1181	1.496	2.563	1.000	UC 212-36 212-38 212-39	C 212	5.51
UCC 213-40	2-1/2	5.5118	1.575	2.563	1.000	UC 213-40	C 213	6.61

Pressed Steel Housing Pillow Blocks

Type

BPP

(Diameter series 2)



Metric series

Unit No.	Shaft Dia. mm	Dimensions mm									Bolt Size mm	Bearing No.	Housing No.	Weight kg
		h	a	e	b	s	g	w	Bi	n				
BPP 1	12	22.2	86	68	25	9.5	3.2	44	22	6	M8	B 1	PP 3	0.16
BPP-2	15	22.2	86	68	25	9.5	3.2	44	22	6	M8	B 2	PP 3	0.15
BPP 3	17	22.2	86	68	25	9.5	3.2	44	22	6	M8	B 3	PP 3	0.13
BPP 4	20	25.4	98	76	32	9.5	3.2	50	24.7	7	M8	B 4	PP 4	0.21
BPP 5	25	28.6	108	86	32	11.5	4	56	27.7	7.5	M10	B 5	PP 5	0.29
BPP 6	30	33.3	117	96	38	11.5	4	66	30.3	8	M10	B 6	PP 6	0.42
BPP 7	35	39.7	129	106	42	11.5	4.6	78	32.9	8.5	M10	B 7	PP 7	0.61

Inch series

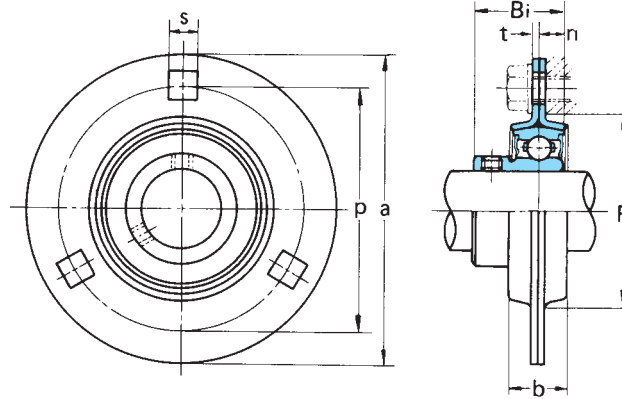
Unit No.	Shaft Dia. (inch)	Dimensions (inch)									Bolt Size (inch)	Bearing No.	Housing No.	Weight (lb.)
		h	a	e	b	s	g	w	Bi	n				
BPP 1-8	1/2											B 1-8		0.35
BPP 2-9	9/16	0.875	3.375	2.688	1.000	0.375	0.125	1.719	0.866	0.236	5/16	B 2-9	PP 3	0.33
2-10	5/8											B 2-10		
BPP 3-11	11/16											B 3-11		
BPP 4-12	3/4	1.000	3.875	3.000	1.250	0.375	0.125	1.969	0.972	0.276	5/16	B 4-12	PP 4	0.46
BPP 5-14	7/8	1.125	4.250	3.375	1.250	0.438	0.156	2.219	1.091	0.295	3/8	B 5-14	PP 5	0.64
5-15	15/16											B 5-15		
5-16	1											B 5-16		
BPP 6-18	1-1/8	1.313	4.625	3.750	1.500	0.438	0.156	2.594	1.193	0.315	3/8	B 6-18	PP 6	0.93
6-19	1-3/16											B 6-19		
BPP 7-20	1-1/4	1.563	5.063	4.188	1.625	0.438	0.188	3.063	1.295	0.335	3/8	B 7-20	PP 7	1.34
7-21	1-5/16											B 7-21		
7-22	1-3/8											B 7-22		
7-23	1-7/16											B 7-23		

Pressed Steel Housing Flange Units

Type

BPF

(Diameter series 2)



Metric series

Unit No.	Shaft Dia. mm	Dimensions mm								Bolt Size mm	Bearing No.	Housing No.	Weight kg
		a	p	t	b	s	F (Min.)	Bi	n				
BPF 1	12	81	63.5	2	14	7	49	22	6	M6	B 1	PF 3	0.21
BPF 2	15	81	63.5	2	14	7	49	22	6	M6	B 2	PF 3	0.20
BPF 3	17	81	63.5	2	14	7	49	22	6	M6	B 3	PF 3	0.18
BPF 4	20	90	71.5	2	16	9	56	24.7	7	M8	B 4	PF 4	0.25
BPF 5	25	95	76	2	18	9	60	27.7	7.5	M8	B 5	PF 5	0.35
BPF 6	30	113	90.5	2.6	18	11	71	30.3	8	M10	B 6	PF 6	0.54
BPF 7	35	120	100	2.6	20	11	81	32.9	8.5	M10	B 7	PF 7	0.71

Inch series

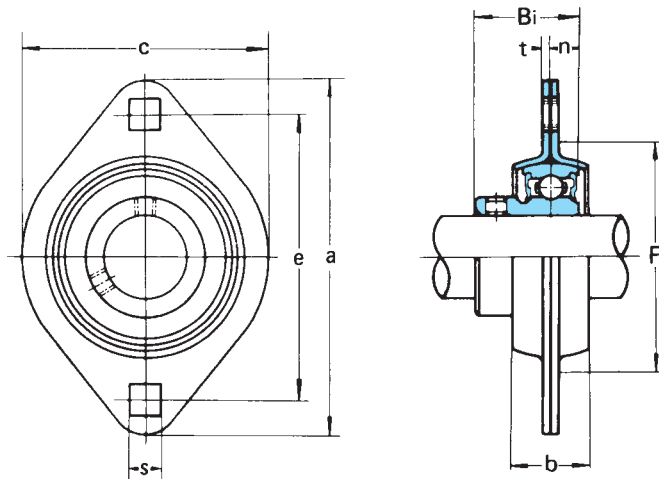
Unit No.	Shaft Dia. (inch)	Dimensions (inch)								Bolt Size (inch)	Bearing No.	Housing No.	Weight (lb.)
		a	p	t	b	s	F (Min.)	Bi	n				
BPF 1-8	1/2										B 1-8		0.46
BPF 209 2-10	9/16 5/8	3.188	2.500	0.079	0.563	0.281	1.938	0.866	0.236	1/4	B 2-9 2-10	PF 3	0.44
BPF 3-11	11/16										B 3-11		0.40
BPF 4-12	3/4	3.563	2.813	0.079	0.625	0.344	2.188	0.972	0.276	5/16	B 4-12	PF 4	0.55
BPF 5-14 5-15 5-16	7/8 15/16 1	3.750	3.000	0.079	0.688	0.344	2.375	1.091	0.295	5/16	B 5-14 5-15 5-16	PF 5	0.77
BPF 6-18 6-19	1-1/8 1-3/16	4.438	3.563	0.102	0.688	0.406	2.813	1.193	0.315	3/8	B 6-18 6-19	PF 6	1.19
BPF 7-20 7-21 7-22 7-23	1-1/4 1-5/16 1-3/8 1-7/16	4.813	3.938	0.102	0.813	0.406	3.188	1.295	0.335	3/8	B 7-20 7-21 7-22 7-23	PF 7	1.56

Pressed Steel Housing Two-Bolt Flange Units

Type

BPFL

(Diameter series 2)



Metric series

Unit No.	Shaft Dia. mm	Dimensions mm									Bolt Size mm	Bearing No.	Housing No.	Weight kg
		a	e	t	b	s	c	F (Min.)	Bi	n				
BPFL 1	12	81	63.5	2	14	7	59	49	22	6	M6	B 1	PFL 3	0.25
BPFL 2	15	81	63.5	2	14	7	59	49	22	6	M6	B 2	PFL 3	0.24
BPFL 3	17	81	63.5	2	14	7	59	49	22	6	M6	B 3	PFL 3	0.22
BPFL 4	20	90	71.5	2	16	9	67	56	24.7	7	M8	B 4	PFL 4	0.29
BPFL 5	25	95	76	2	18	9	71	60	27.7	7.5	M8	B 5	PFL 5	0.36
BPFL 6	30	113	90.5	2.6	18	11	84	71	30.3	8	M10	B 6	PFL 6	0.56
BPFL 7	35	125	100	2.6	20	11	94	81	32.9	8.5	M10	B 7	PFL 7	0.70

Inch series

Unit No.	Shaft Dia. (inch)	Dimensions (inch)									Bolt Size (inch)	Bearing No.	Housing No.	Weight (lb.)	
		a	e	t	b	s	c	F (Min.)	Bi	n					
BPFL 1-8	1/2	3.188	2.500	0.079	0.563	0.281	2.313	1.938	0.866	0.236	1/4	B 1-8	PFL 3	0.55	
BPFL 2-9	9/16											B 2-9		0.53	
BPFL 2-10	5/8											B 2-10			
BPFL 3-11	11/16											B 3-11		0.48	
BPFL 4-12	3/4	3.563	2.813	0.079	0.625	0.344	2.625	2.188	0.972	0.276	5/16	B 4-12	PFL 4	0.64	
BPFL 5-14	7/8	3.750	3.000	0.079	0.688	0.344	2.797	2.375	1.091	0.295	5/16	B 5-14	PFL 5	0.79	
BPFL 5-15	15/16											B 5-15			
BPFL 5-16	1											B 5-16			
BPFL 6-18	1-1/8	4.438	3.563	0.102	0.688	0.406	3.313	2.813	1.193	0.315	3/8	B 6-18	PFL 6	1.23	
BPFL 6-19	1-3/16											B 6-19			
BPFL 7-20	1-1/4	4.938	3.938	0.102	0.813	0.406	3.688	3.188	1.295	0.335	3/8	B 7-20	PFL 7	1.54	
BPFL 7-21	1-5/16											B 7-21			
BPFL 7-22	1-3/8											B 7-22			
BPFL 7-23	1-7/16											B 7-23			

Ball Bearing

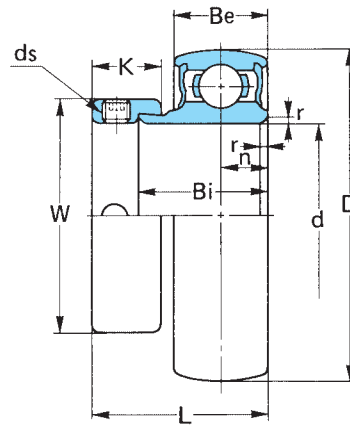
Type

U00 +ER

U000 +ER

Extra Light Duty

Eccentric Collar Locking



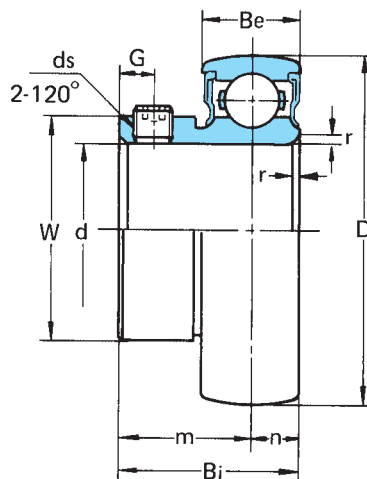
Bearing No.	Dimensions mm										Basic Load Rating kg		Weight kg
	d	D	L	Bi	Be	r	n	K	W	ds	Dynamic C	Static Co	
U 08+ER	8	22	15	10	7	0.3	3.5	7	14	M3 x 0.5	340	136	16
U 000+ER	10	26	17.5	11	8	0.5	4	8.5	17	M4 x 0.7	470	198	30
U 001+ER	12	28	17.5	11	8	0.5	4	8.5	19	M4 x 0.7	520	227	36
U 002+ER	15	32	18.5	12	9	0.5	4.5	8.5	22	M4 x 0.7	570	255	50
U 003+ER	17	35	20.5	13.5	10	0.5	5	9.5	25	M4 x 0.7	610	284	62
U 004+ER	20	42	24.5	16.5	12	1.0	6	11	30	M5 x 0.8	955	455	104
U 005+ER	25	47	25.5	17.5	12	1.0	6	12	36	M5 x 0.8	1030	505	133
U 006+ER	30	55	26.5	18.5	13	1.5	6.5	12	42	M5 x 0.8	1350	700	186

Ball Bearings

Type

B

(Diameter series 2)
Set-screw Locking



Metric series

Bearing No.	Dimensions mm										Basic Load Rating kgf		Weight kg
	d	D	Bi	Be	r	n	m	G	ds	W	Dynamic C	Static Co	
B 1	12	40	22	12	1	6	16	4	M5x0.8	24.7	975	455	0.10
B 2	15	40	22	12	1	6	16	4	M5x0.8	24.7	975	455	0.09
B 3	17	40	22	12	1	6	16	4	M5x0.8	24.7	975	455	0.07
B 4	20	47	24.7	14	1.5	7	17.7	4.5	M5x0.8	29	1310	630	0.12
B 5	25	52	27.7	15	1.5	7.5	20.2	5	M6x0.75	34	1430	710	0.16
B 6	30	62	30.3	16	1.5	8	22.3	5	M6x0.75	40.5	2000	1020	0.25
B 7	35	72	32.9	17	2	8.5	24.4	6	M8x1	48	2640	1400	0.38

Inch series

Bearing No.	Dimensions (inch)										Basic Load Rating lbs.		Weight (lb.)
	d	D	Bi	Be	r	n	m	G	ds (UNF)	W	Dynamic C	Static Co.	
B 1-8	1/2												0.22
B 2-9 2-10	9/16 5/8	1.5748	0.866	0.472	0.039	0.236	0.630	0.157	10-32	0.972	2150	1000	0.20
B 3-11	11/16												0.15
B 4-12	3/4	1.8504	0.972	0.551	0.059	0.276	0.697	0.177	10-32	1.142	2890	1390	0.26
B 5-14 5-15 5-16	7/8 15/16 1	2.0472	1.091	0.591	0.059	0.295	0.795	0.197	1/4-28	1.339	3150	1560	0.35
B 6-18 6-19	1-1/8 1-3/16	2.4409	1.193	0.630	0.059	0.315	0.878	0.197	1/4-28	1.594	4410	2250	0.55
B 7-20 7-21 7-22 7-23	1-1/4 1-5/16 1-3/8 1-7/16	2.8346	1.295	0.669	0.079	0.335	0.961	0.236	5/16-24	1.890	5820	3090	0.84

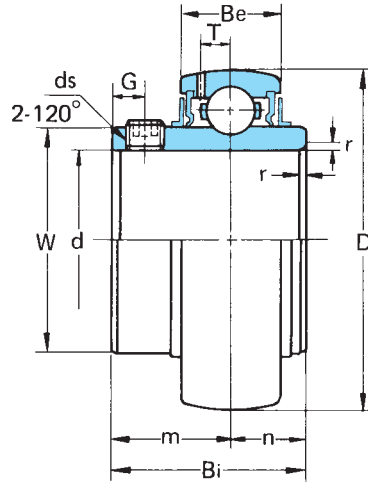
Ball Bearings

Type

UC 200

(Diameter series 2)

Ste-screw Locking



Metric series

Bearing No.	Dimensions mm											Basic Load Rating kgf		Weight kg
	d	D	Bi	Be	r	n	m	G	ds	T	W	Dynamic C	Static Co	
UC 201	12	47	31	17	1	12.7	18.3	4.5	M6x0.75	4.5	29	1310	630	0.21
UC 202	15	47	31	17	1	12.7	18.3	4.5	M6x0.75	4.5	29	1310	630	0.19
UC 203	17	47	31	17	1	12.7	18.3	4.5	M6x0.75	4.5	29	1310	630	0.18
UC 204	20	47	31	17	1.5	12.7	18.3	4.5	M6x0.75	4.5	29	1310	630	0.16
UC 205	25	52	34	17	1.5	14.3	19.7	5	M6x0.75	4.5	34	1430	710	0.19
UC 206	30	62	38.1	19	1.5	15.9	22.2	5	M6x0.75	5.1	40.5	2000	1020	0.31
UC 207	35	72	42.9	20	2	17.5	25.4	6	M8x1	5.8	48	2640	1400	0.48
UC 208	40	80	49.2	21	2	19	30.2	8	M8x1	6.2	53	2990	1600	0.62
UC 209	45	85	49.2	22	2	19	30.2	8	M8x1	6.5	57.3	3350	1810	0.67
UC 210	50	90	51.6	23	2	19	32.6	9	M10x1.25	6.5	63	3600	2010	0.78
UC 211	55	100	55.6	24	2.5	22.2	33.4	9	M10x1.25	7.3	70	4400	2550	1.03
UC 212	60	110	65.1	26	2.5	25.4	39.7	10	M10x1.25	7.7	77	5350	3150	1.45
UC 213	65	120	65.1	27	2.5	25.4	39.7	10	M10x1.25	8.3	82.1	5850	3500	1.71
UC 214	70	125	74.6	29	2.5	30.2	44.4	12	M12x1.5	8.7	87	6350	3800	2.06
UC 215	75	130	77.8	30	2.5	33.3	44.5	14	M12x1.5	9.2	91.5	6750	4200	2.22
UC 216	80	140	82.6	32	3	33.3	49.3	14	M12x1.5	9.6	98.5	7400	4550	2.82
UC 217	85	150	85.7	34	3	34.1	51.6	14	M12x1.5	10.5	105	8500	5500	3.38
UC 218	90	160	96	36	3	39.7	56.3	15	M12x1.5	11.1	111.5	9750	6300	4.34

Inch series

Bearing No.	Dimensions (inch)											Basic Load Rating lbs.		Weight (lb.)
	d	D	Bi	Be	r	n	m	G	ds (UNF)	T	W	Dynamic C	Static Co	
UC 201-8	1/2													0.46
UC 202-9	9/16	1.8504	1.220	0.669	0.039	0.500	0.720	0.177	1/4-28	0.177	1.142	2890	1390	0.42
UC 202-10	5/8													0.40
UC 203-11	11/16													0.40
UC 204-12	3/4	1.8504	1.220	0.669	0.059	0.500	0.720	0.177	1/4-28	0.177	1.142	2890	1390	0.35
UC 205-14	7/8													0.42
UC 205-15	15/16	2.0472	1.339	0.669	0.059	0.563	0.776	0.197	1/4-28	0.177	1.339	3150	1560	0.42
UC 205-16	1													0.42
UC 206-17	1-1/16													0.68
UC 206-18	1-1/8	2.4409	1.500	0.748	0.059	0.626	0.874	0.197	1/4-28	0.201	1.594	4410	2250	0.68
UC 206-19	1-3/16													0.68
UC 207-20	1-1/4													1.06
UC 207-21	1-5/16	2.8346	1.689	0.787	0.079	0.689	1.000	0.236	5/16-24	0.228	1.890	5820	3090	1.06
UC 207-22	1-3/8													1.06
UC 207-23	1-7/16													1.06
UC 208-24	1-1/2													1.37
UC 208-25	1-9/16	3.1496	1.937	0.827	0.079	0.748	1.189	0.315	5/16-24	0.244	2.087	6590	3530	1.37
UC 209-26	1-5/8													1.48
UC 209-27	1-11/16	3.3465	1.937	0.866	0.079	0.748	1.189	0.315	5/16-24	0.256	2.256	7390	3990	1.48
UC 209-28	1-3/4													1.48
UC 210-30	1-7/8													1.72
UC 210-31	1-15/16	3.5433	2.031	0.906	0.079	0.748	1.283	0.354	3/8-24	0.256	2.480	7940	4430	1.72
UC 211-32	2													2.27
UC 211-33	2-1/8	3.9370	2.189	0.945	0.098	0.874	1.315	0.354	3/8-24	0.287	2.756	9700	5620	2.27
UC 211-35	2-3/16													2.27
UC 212-36	2-1/4													3.20
UC 212-38	2-3/8	4.3307	2.563	1.024	0.098	1.000	1.563	0.394	3/8-24	0.303	3.031	11800	6940	3.20
UC 212-39	2-7/16													3.20
UC 213-40	2-1/2	4.7244	2.563	1.063	0.098	1.000	1.563	0.394	3/8-24	0.327	3.232	12900	7720	3.77
*UC 214-44	2-3/4	4.9213	2.937	1.142	0.098	1.189	1.748	0.472	7/16-20	0.343	3.425	14000	8380	4.54
*UC 215-48	3	5.1181	3.063	1.181	0.098	1.311	1.752	0.551	7/16-20	0.362	3.602	14900	9260	4.89
*UC 216-50	3-1/8	5.5118	3.252	1.260	0.118	1.311	1.941	0.551	7/16-20	0.378	3.878	16300	10000	6.22
*UC 217-52	3-1/4	5.9055	3.374	1.339	0.118	1.343	2.031	0.551	7/16-20	0.413	4.134	18700	12100	7.45
*UC 218-56	3-1/2	6.2992	3.780	1.417	0.118	1.563	2.217	0.591	1/2-20	0.437	4.390	21500	13900	9.57

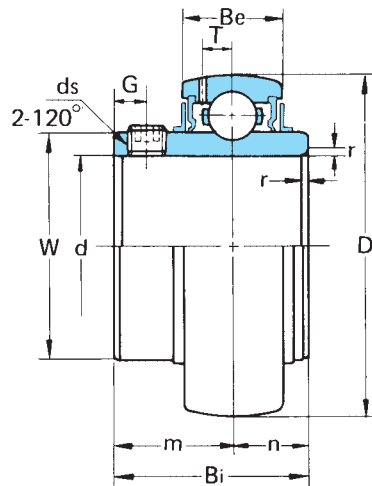
Ball Bearings

Type

UC X00

(Diameter series X)

Set-screw Locking



Metric series

Bearing No.	Dimensions mm											Basic Load Rating kgf		Weight kg
	d	D	Bi	Be	r	n	m	G	ds	T	W	Dynamic C	Static Co	
UC X05	25	62	38.1	19	1.5	15.9	22.2	5	M 6x0.75	5.1	40.5	2000	1020	0.37
UC X06	30	72	42.9	20	1.5	17.5	25.4	6	M 8x1	5.8	48	2640	1400	0.46
UC X07	35	80	49.2	21	2	19	30.2	8	M 8x1	6.2	53	2990	1600	0.74
UC X08	40	85	49.2	22	2	19	30.2	8	M 8x1	6.5	57.3	3350	1810	0.80
UC X09	45	90	51.6	23	2	19	32.6	9	M10x1.25	6.5	63	3600	2010	0.92
UC X10	50	100	55.6	24	2	22.2	33.4	9	M10x1.25	7.3	70	4400	2550	1.21
UC X11	55	110	65.1	26	2.5	25.4	39.7	10	M10x1.25	7.7	77	5350	3150	1.72
UC X12	60	120	65.1	27	2.5	25.4	39.7	10	M10x1.25	8.3	82.1	5850	3500	1.97
UC X13	65	125	74.6	29	2.5	30.2	44.4	12	M12x1.5	8.7	87	6350	3800	2.33
UC X14	70	130	77.8	30	2.5	33.3	44.5	12	M12x1.5	9.2	91.5	6750	4200	2.57
UC X15	75	140	82.6	32	2.5	33.3	49.3	12	M12x1.5	9.6	98.5	7400	4550	3.22
UC X16	80	150	85.7	34	3	34.1	51.6	12	M12x1.5	10.5	105	8500	5500	3.81
UC X17	85	160	96	36	3	39.7	56.3	12	M12x1.5	11.1	111.5	9750	6300	4.83
UC X18	90	170	104	38	3	42.9	61.1	14	M14x1.5	11.9	118	11100	7100	5.49
UC X20	100	190	117.5	42	3.5	49.2	68.3	16	M16x1.5	13	132.5	13700	9100	9.04

Inch series

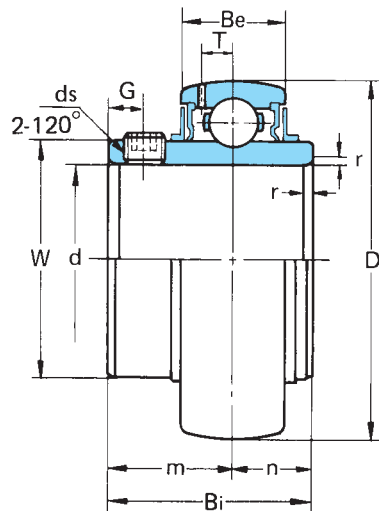
Bearing No.	Dimensions (inch)											Basic Load Rating lbs.		Weight (lb.)
	d	D	Bi	Be	r	n	m	G	ds (UNF)	T	W	Dynamic C	Static Co	
UC X05-14 X05-15 X05-16	7/8 15/16 1	2.4409	1.500	0.748	0.059	0.626	0.874	0.197	1/4-28	0.201	1.594	4410	2250	0.82
UC X06-18 X06-19 X06-20	1-1/8 1-3/16 1-1/4	2.8346	1.689	0.787	0.059	0.689	1.000	0.236	5/16-24	0.228	1.890	5820	3090	1.01
UC X07-22 X07-23	1-3/8 1-7/16	3.1496	1.937	0.827	0.079	0.748	1.189	0.315	5/16-24	0.244	2.087	6590	3530	1.63
UC X08-24	1-1/2	3.3465	1.937	0.866	0.079	0.748	1.189	0.315	5/16-24	0.256	2.256	7390	3990	1.76
UC X09-26 X09-27 X09-28	1-5/8 1-11/16 1-3/4	3.5433	2.031	0.906	0.079	0.748	1.283	0.354	3/8-24	0.256	2.480	7940	4430	2.03
UC X10-30 X10-31 X10-32	1-7/8 1-15/16 2	3.9370	2.189	0.945	0.079	0.874	1.315	0.354	3/8-24	0.287	2.746	9700	5620	2.67
UC X11-34 X11-35 X11-36	2-1/8 2-3/16 2-1/4	4.3307	2.563	1.024	0.098	1.000	1.563	0.394	3/8-24	0.303	3.031	11800	6940	3.79
UC X12-38 X12-39	2-3/8 2-7/16	4.7244	2.563	1.063	0.098	1.000	1.563	0.394	3/8-24	0.327	3.232	12900	7720	4.34
UC X13-40	2-1/2	4.9213	2.937	1.142	0.098	1.189	1.748	0.472	7/16-20	0.343	3.425	14000	8380	5.14
UC X14-43 X14-44	2-11/16 2-3/4	5.1181	3.063	1.181	0.098	1.311	1.752	0.472	7/16-20	0.362	3.602	14900	9260	5.66
UC X15-47 X15-48	2-15/16 3	5.5118	3.252	1.260	0.098	1.311	1.941	0.472	7/16-20	0.378	3.878	16300	10000	7.10
UC X16-51	3-3/16	5.9055	3.374	1.339	0.118	1.343	2.031	0.472	7/16-20	0.413	4.134	18700	12100	8.40
UC X17-52 X17-55	3-1/4 3-7/16	6.2992	3.780	1.417	0.118	1.563	2.217	0.472	1/2-20	0.437	4.390	21500	13900	10.65
UC X18-56	3-1/2	6.6929	4.094	1.496	0.118	1.689	2.406	0.551	9/16-18	0.469	4.646	24500	15700	12.10
UC X20-63 X20-64	3-15/16 4	7.4803	4.626	1.654	0.138	1.937	2.689	0.630	5/8-18	0.512	5.217	30200	20100	19.92

Ball Bearings

Type

UC 300

(Diameter series 3)
Set-screw Locking



Metric series

Bearing No.	Dimensions mm												Basic Load Rating kgf		Weight kg
	d	D	Bi	Be	r	n	m	G	ds	T	W	Dynamic C	Static Co		
UC 305	25	62	38	21	2	15	23	6	M 6x0.75	6.1	36.9	2170	1090	0.44	
UC 306	30	72	43	23	2	17	26	6	M 6x0.75	6.7	45	2730	1420	0.56	
UC 307	35	80	48	25	2.5	19	29	8	M 8x1	7.4	50.5	3400	1820	0.71	
UC 308	40	90	52	27	2.5	19	33	10	M10x1.25	8.2	56	4150	2270	1.00	
UC 309	45	100	57	30	2.5	22	35	10	M10x1.25	9	63	5250	3050	1.28	
UC 310	50	110	61	32	3	22	39	12	M12x1.5	10	70.5	6300	3650	1.65	
UC 311	55	120	66	34	3	25	41	12	M12x1.5	10.7	76.5	7300	4250	2.07	
UC 312	60	130	71	36	3.5	26	45	12	M12x1.5	11.5	82.5	8300	4900	2.59	
UC 313	65	140	75	38	3.5	30	45	12	M12x1.5	12.2	88.5	9450	5650	3.15	
UC 314	70	150	78	40	3.5	33	45	12	M12x1.5	13	95.2	10600	6450	3.83	
UC 315	75	160	82	42	3.5	32	50	14	M14x1.5	13.8	101.5	11600	7200	4.59	
UC 316	80	170	86	44	3.5	34	52	14	M14x1.5	14.5	108	12500	8150	5.40	
UC 317	85	180	96	46	4	40	56	16	M16x1.5	15	114.5	13500	9100	6.58	
UC 318	90	190	96	48	4	40	56	16	M16x1.5	15.9	121	14600	10100	7.34	
UC 319	95	200	103	50	4	41	62	16	M16x1.5	16.7	127.5	15600	11100	8.70	
UC 320	100	215	108	54	4	42	66	18	M18x1.5	18	135.5	17700	13300	10.80	
UC 321	105	225	112	56	4	44	68	18	M18x1.5	19	142	18700	14500	12.20	
UC 322	110	240	117	60	4	46	71	18	M18x1.5	21	152	20900	17000	14.30	
UC 324	120	260	126	64	4	51	75	18	M18x1.5	22	165	21100	17000	18.50	
UC 326	130	280	135	68	5	54	81	20	M20x1.5	23	178	23400	19600	23.00	
UC 328	140	300	145	73	5	59	86	20	M20x1.5	25	191.5	26000	22400	28.50	

Inch series

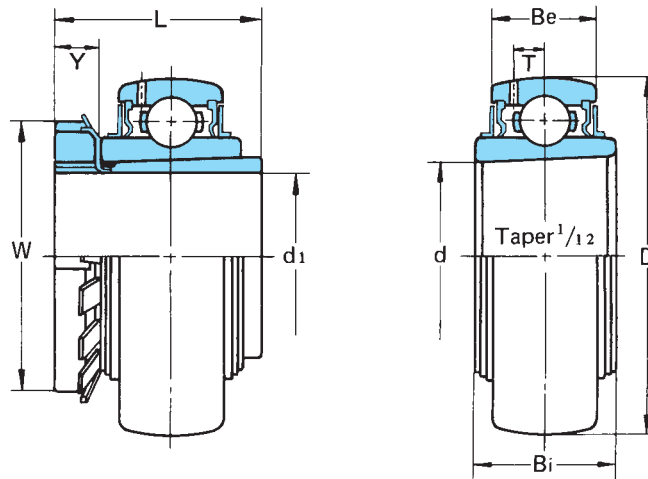
Bearing No.	Dimensions (inch)												Basic Load Rating lbs.		Weight (lb.)
	d	D	Bi	Be	r	n	m	G	ds(UNF)	T	W	Dynamic C	Static Co		
UC 305-14 305-16	7/8 1	2.4409	1.496	0.827	0.079	0.591	0.906	0.236	1/4-28	0.240	1.453	4780	2400	0.97	
UC 306-18	1-1/8	2.8346	1.693	0.906	0.079	0.669	1.024	0.236	1/4-28	0.264	1.772	6020	3130	1.23	
UC 307-20 307-22	1-1/4 1-3/8	3.1496	1.890	0.984	0.098	0.748	1.142	0.315	5/16-24	0.291	1.988	7500	4010	1.56	
UC 308-24	1-1/2	3.5433	2.047	1.063	0.098	0.748	1.299	0.394	3/8-24	0.323	2.205	9150	5000	2.20	
UC 309-26 309-28	1-5/8 1-3/4	3.9370	2.244	1.181	0.098	0.866	1.378	0.394	3/8-24	0.354	2.480	11570	6720	2.82	
UC 310-30	1-7/8	4.3307	2.402	1.260	0.118	0.866	1.535	0.472	7/16-20	0.394	2.776	13900	8050	3.64	
UC 311-32 311-34	2 2-1/8	4.7244	2.598	1.339	0.118	0.984	1.614	0.472	7/16-20	0.421	3.012	16100	9370	4.56	
UC 312-36 312-38	2-1/4 2-3/8	5.1181	2.795	1.417	0.138	1.024	1.772	0.472	1/2-20	0.453	3.248	18300	10800	5.71	
UC 313-40	2-1/2	5.5118	2.953	1.496	0.138	1.181	1.772	0.472	1/2-20	0.480	3.484	20800	12500	6.94	
UC 314-44	2-3/4	5.9055	3.071	1.575	0.138	1.299	1.772	0.472	1/2-20	0.512	3.748	23400	14200	8.44	
UC 315-48	3	6.2992	3.228	1.654	0.138	1.260	1.969	0.551	9/16-18	0.543	3.996	25600	15900	10.12	
UC 316-50	3-1/8	6.6929	3.386	1.732	0.138	1.339	2.047	0.551	9/16-18	0.571	4.252	27600	18000	11.90	
UC 317-52	3-1/4	7.0866	3.780	1.811	0.157	1.575	2.205	0.630	5/8-18	0.591	4.508	29800	20100	14.50	
UC 318-56	3-1/2	7.4803	3.780	1.890	0.157	1.575	2.205	0.630	5/8-18	0.626	4.764	32200	22300	16.18	
UC 319-60	3-3/4	7.8740	4.055	1.969	0.157	1.614	2.441	0.630	5/8-18	0.657	5.020	34400	24500	19.17	
UC 320-64	4	8.4646	4.252	2.126	0.157	1.654	2.598	0.709	3/4-16	0.709	5.335	39000	29300	23.80	

Ball Bearings

Type

UK 200+H

(Diameter series 2)
Adapter Type



Metric series

Bearing No.	Dimensions mm										Basic Load Rating kgf		Weight kg
	d ₁	D	L	d	Bi	Be	T	Y	W	Dynamic C	Static Co.		
UK 205+H2305	20	52	35	25	23	17	4.5	8	38	1430	710	0.24	
UK 206+H2306	25	62	38	30	26	19	5.1	8	45	2000	1020	0.40	
UK 207+H2307	30	72	43	35	27	20	5.8	9	52	2640	1400	0.53	
UK 208+H2308	35	80	46	40	29	21	6.2	10	58	2990	1600	0.69	
UK 209+H2309	40	85	50	45	30	22	6.5	11	65	3350	1810	0.77	
UK 210+H2310	45	90	55	50	31	23	6.5	12	70	3600	2010	0.93	
UK 211+H2311	50	100	59	55	33	24	7.3	12	75	4400	2550	1.16	
UK 212+H2312	55	110	62	60	36	26	7.7	13	80	5350	3150	1.47	
UK 213+H2313	60	120	65	65	38	27	8.3	14	85	5850	3500	1.82	
UK 215+H2315	65	130	73	75	41	30	9.2	15	98	6750	4200	2.59	
UK 216+H2316	70	140	78	80	44	32	9.6	17	105	7400	4550	3.27	
UK 217+H2317	75	150	82	85	46	34	10.5	18	110	8500	5500	3.92	
UK 218+H2318	80	160	86	90	49	36	11.1	18	120	9750	6300	4.68	

Inch series

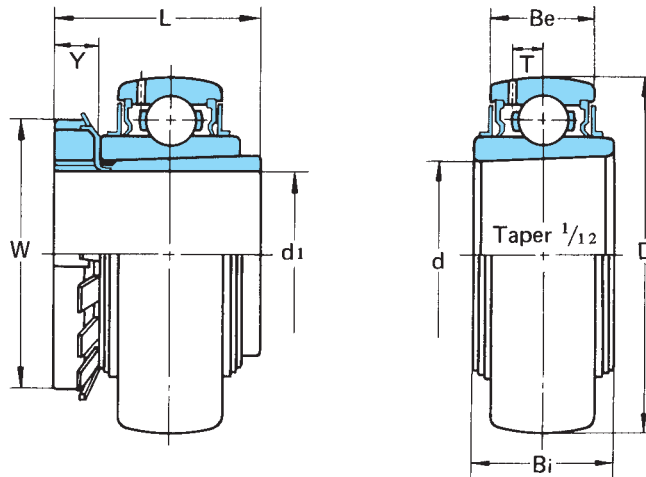
Bearing No.	Dimensions (inch)										Basic Load Rating lbs.		Weight (lb.)
	d ₁	D	L	d	Bi	Be	T	Y	W	Dynamic C	Static Co.		
UK 205+HE 2305 205+HA2305	3/4 13/16	2.0472	1.378	0.9843	0.906	0.669	0.177	0.315	1.496	3150	1560	0.53	
UK 206+HS 2306 206+HA2306 206+HE 2306	7/8 15/16 1	2.4409	1.496	1.1811	1.024	0.748	0.201	0.315	1.772	4410	2250	0.88	
UK 207+HS 2307 207+HA2307	1-1/8 1-3/16	2.8346	1.693	1.3780	1.063	0.787	0.228	0.354	2.047	5820	3090	1.17	
UK 208+HE 2308 208+HA2308 208+HS 2308	1-1/4 1-5/16 1-3/8	3.1496	1.811	1.5748	1.142	0.827	0.244	0.394	2.283	6590	3530	1.52	
UK 209+HA2309 209+HE 2309 209+HS 2309	1-7/16 1-1/2 1-5/8	3.3465	1.969	1.7717	1.181	0.866	0.256	0.433	2.559	7390	3990	1.70	
UK 210+HA2310 210+HE 2310	1-11/16 1-3/4	3.5433	2.165	1.9685	1.220	0.906	0.256	0.472	2.756	7940	4430	2.05	
UK 211+HS 2311 211+HA2311 211+HE 2311	1-7/8 1-15/16 2	3.9370	2.323	2.1654	1.299	0.945	0.287	0.472	2.953	9700	5620	2.56	
UK 212+HA2312 212+HS 2312	2-1/16 2-1/8	4.3307	2.441	2.3622	1.417	1.024	0.303	0.512	3.150	11800	6940	3.24	
UK 213+HA2313 213+HE 2313 213+HS 2313	2-3/16 2-1/4 2-3/8	4.7244	2.559	2.5591	1.496	1.063	0.327	0.551	3.346	12900	7720	4.01	
UK 215+HE 2315	2-1/2	5.1181	2.874	2.9528	1.614	1.181	0.362	0.591	3.858	14900	9260	5.71	
UK 216+HE 2316	2-3/4	5.5118	3.071	3.1496	1.732	1.260	0.378	0.669	4.134	16300	10000	7.21	
UK 217+HE 2317	3	5.9055	3.228	3.3465	1.811	1.339	0.413	0.709	4.331	18700	12100	8.64	
UK 218+HS 2318	3-1/8	6.2992	3.386	3.5433	1.929	1.417	0.437	0.709	4.724	21500	13900	10.31	

Ball Bearings

Type

UK X00+H

(Diameter series X)
Adapter Type



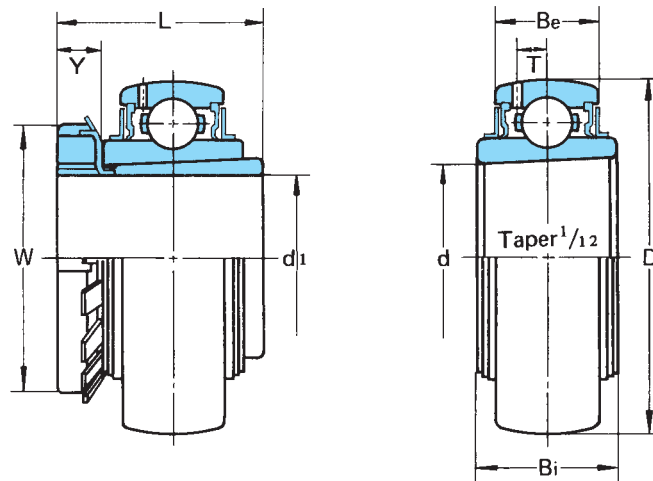
Metric series

Bearing No.	Dimensions mm									Basic Load Rating kgf		Weight kg
	d ₁	D	L	d	Bi	Be	T	Y	W	Dynamic C	Static Co	
UK X05+H2305	20	62	35	25	26	19	5.1	8	38	2000	1020	0.37
UK X06+H2306	25	72	38	30	27	20	5.8	8	45	2640	1400	0.54
UK X07+H2307	30	80	43	35	29	21	6.2	9	52	2990	1600	0.70
UK X08+H2308	35	85	46	40	30	22	6.5	10	58	3350	1810	0.81
UK X09+H2309	40	90	50	45	31	23	6.5	11	65	3600	2010	0.94
UK X10+H2310	45	100	55	50	33	24	7.3	12	70	4400	2550	1.22
UK X11+H2311	50	110	59	55	36	26	7.7	12	75	5350	3150	1.54
UK X12+H2312	55	120	62	60	38	27	8.3	13	80	5850	3500	1.89
UK X13+H2313	60	125	65	65	40	29	8.7	14	85	6350	3800	2.09
UK X15+H2315	65	140	73	75	44	32	9.6	15	98	7400	4550	3.25
UK X16+H2316	70	150	78	80	46	34	10.5	17	105	8500	5500	3.86
UK X17+H2317	75	160	82	85	49	36	11.1	18	110	9750	6300	4.72
UK X18+H2318	80	170	86	90	52	38	11.9	18	120	11100	7100	5.11
UK X20+H2320	90	190	97	100	58	42	13	20	130	13700	9100	8.10

Inch series

Bearing No.	Dimensions (inch)									Basic Load Rating lbs.		Weight (lb.)
	d ₁	D	L	d	Bi	Be	T	Y	W	Dyanimic C	Static Co	
UK X05+HE2305 X05+HA2305	3/4 13/16	2.4409	1.378	0.9843	1.024	0.748	0.201	0.315	1.496	4410	2250	0.82
UC X06+HS2306 X06+HA2306 X06+HE2306	7/8 15/16 1	2.8346	1.496	1.1811	1.063	0.787	0.228	0.315	1.772	5820	3090	1.19
UK X07+HS2307 X07+HA2307	1-1/8 1-3/16	3.1496	1.693	1.3780	1.142	0.827	0.244	0.354	2.047	6590	3530	1.54
UK X08+HE2308 X08+HA2308 X08+HS2308	1-1/4 1-5/16 1-3/8	3.3465	1.811	1.5748	1.181	0.866	0.256	0.394	2.283	7390	3990	1.79
UK X09+HA2309 X09+HE2309 X09+HS2309	1-7/16 1-1/2 1-5/8	3.5433	1.969	1.7717	1.220	0.906	0.256	0.433	2.559	7940	4430	2.07
UK X10+HA2310 X10+HE2310	1-11/16 1-3/4	3.9370	2.165	1.9685	1.299	0.945	0.287	0.472	2.756	9700	5620	2.69
UK X11+HS2311 X11+HA2311 X11+HE2311	1-7/8 1-15/16 2	4.3307	2.323	2.1654	1.417	1.024	0.303	0.472	2.953	11800	6940	3.390
UK X12+HA2312 X12+HS2312	2-1/16 2-1/8	4.7244	2.441	2.3622	1.496	1.063	0.327	0.512	3.150	12900	7720	4.17
UK X13+HA2313 X13+HE2313 X13+HS2313	2-3/16 2-1/4 2-3/8	4.9213	2.559	2.5591	1.575	1.142	0.343	0.551	3.346	14000	8380	4.61
UK X15+HE2315	2-1/2	5.5118	2.874	2.9528	1.732	1.260	0.378	0.591	3.858	16300	10000	7.16
UK X16+HE2316	2-3/4	5.9055	3.071	3.1496	1.811	1.339	0.413	0.699	4.134	18700	12100	8.51
UK X17+HE2317	3	6.2992	3.228	3.3465	1.929	1.417	0.437	0.709	4.331	21500	13900	10.40
UK X18+HS2318	3-1/8	6.6929	3.386	3.5433	2.047	1.496	0.469	0.709	4.724	24500	15700	11.26
UK X20+HE2320	3-1/2	7.4803	3.819	3.9370	2.283	1.654	0.512	0.787	5.118	30200	20100	17.85

Ball Bearings
Type
UK 300+H
(Diameter series 3)
Adapter Type



Metric series

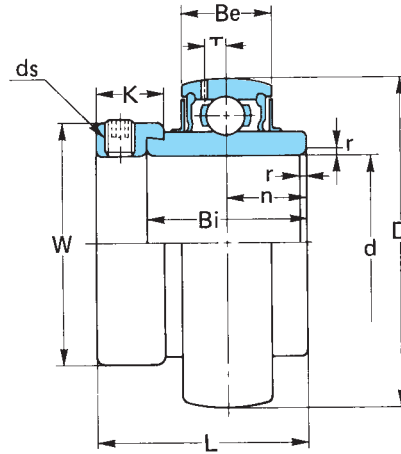
Bearing No.	Dimensions mm									Basic Load Rating kgf		Weight kg
	d ₁	D	L	d	Bi	Be	T	Y	W	Dynamic C	Static Co	
UK 305+H2305	20	62	35	25	26	21	6.1	8	38	2170	1090	0.48
UK 306+H2306	25	72	38	30	29	23	6.7	8	45	2730	1420	0.59
UK 307+H2307	30	80	43	35	31	25	7.4	9	52	3400	1820	0.74
UK 308+H2308	35	90	46	40	34	27	8.2	10	58	4150	2270	1.01
UK 309+H2309	40	100	50	45	37	30	9	11	65	5250	3050	1.31
UK 310+H2310	45	110	55	50	40	32	10	12	70	6300	3650	1.68
UK 311+H2311	50	120	59	55	43	34	10.7	12	75	7300	4250	2.06
UK 312+H2312	55	130	62	60	46	36	11.5	13	80	8300	4900	2.53
UK 313+H2313	60	140	65	65	48	38	12.2	14	85	9450	5650	3.07
UK 315+H2315	65	160	73	75	54	42	13.8	15	98	11600	7200	4.74
UK 316+H2316	70	170	78	80	57	44	14.5	17	105	12500	8150	5.62
UK 317+H2317	75	180	82	85	60	46	15	18	110	13500	9100	6.56
UK 318+H2318	80	190	86	90	63	48	15.9	18	120	14600	10100	7.52
UK 319+H2319	85	200	90	95	66	50	16.7	19	125	15600	11100	8.72
UK 320+H2320	90	215	97	100	72	54	18	20	130	17700	13300	10.80
UK 322+H2322	100	240	105	110	80	60	21	21	145	20900	17000	14.40
UK 324+H2324	110	260	112	120	86	64	22	22	155	21100	17000	18.00
UK 326+H2326	115	280	121	130	92	68	23	23	165	23400	19600	23.30
UK 328+H2328	125	300	131	140	98	73	25	24	180	26000	22400	28.80

Inch series

Bearing No.	Dimensions (inch)									Basic Load Rating lbs.		Weight (lb.)
	d ₁	D	L	d	Bi	Be	T	Y	W	Dynamic C	Static Co	
UK 305+HE 2305	3/4	2.4409	1.378	0.9843	1.024	0.827	0.240	0.315	1.496	4780	2400	1.06
UK 306+HE2306	1	2.8346	1.496	1.1811	1.142	0.906	0.264	0.315	1.772	6020	3130	1.30
UK 307+HS2307	1-1/8	3.1496	1.693	1.3780	1.220	0.984	0.291	0.354	2.047	7500	4010	1.63
UK 308+HE2308 308+HS2308	1-1/4 1-3/8	3.5433	1.811	1.5748	1.339	1.063	0.323	0.394	2.283	9150	5000	2.23
UK 309+HE2309 309+HS2309	1-1/2 1-5/8	3.9370	1.969	1.7717	1.457	1.181	0.354	0.433	2.559	11570	6720	2.89
UK 310+HE2310	1-3/4	4.3307	2.165	1.9685	1.575	1.260	0.394	0.472	2.756	13900	8050	3.70
UK 311+HS2311 311+HE2311	1-7/8 2	4.7244	2.323	2.1654	1.693	1.339	0.421	0.472	2.953	16100	9370	4.54
UK 312+HS2312	2-1/8	5.1181	2.441	2.3622	1.811	1.417	0.453	0.512	3.150	18300	10800	5.58
UK 313+HE2313 313+HS2313	2-1/4 2-3/8	5.5118	2.559	2.5591	1.890	1.496	0.480	0.551	3.346	20800	12500	6.77
UK 315+HE2315	2-1/2	6.2992	2.874	2.9528	2.126	1.654	0.543	0.591	3.858	25600	15900	10.45
UK 316+HE2316	2-3/4	6.6929	3.071	3.1496	2.244	1.732	0.571	0.669	4.134	27600	18000	12.39
UK 317+HE2317	3	7.0866	3.228	3.3465	2.362	1.811	0.591	0.709	4.331	29800	20100	14.46
UK 318+HS2318	3-1/8	7.4803	3.386	3.5433	2.480	1.890	0.626	0.709	4.724	32200	22300	16.57
UK 319+HE2319	3-1/4	7.8740	3.543	3.7402	2.598	1.969	0.657	0.748	4.921	34400	24500	19.22
UK 320+HE2320	3-1/2	8.4646	3.819	3.9370	2.835	2.126	0.709	0.787	5.118	39000	29300	23.80
UK 322+HE2322	4	9.4488	4.134	4.3307	3.150	2.362	0.827	0.827	5.709	46100	37500	31.74

Ball Bearing Type UG 200+ER

(Normal Duty)
Eccentric Collar Locking



Metric series

Bearing No.	Dimensions mm											Basic Load Rating kgf		Weight kg
	d	D	L	Bi	Be	r	n	T	W	K	ds	Dynamic C	Static Co	
UG 201 + ER	12	40	37.3	27.8	15	1	13.9	4	28.6	13.5	M 6 x 0.75	975	460	0.16
UG 202 + ER	15	40	37.3	27.8	15	1	13.9	4	28.6	13.5	M 6 x 0.75	975	460	0.14
UG 203 + ER	17	40	37.3	27.8	15	1	13.9	4	28.6	13.5	M 6 x 0.75	975	460	0.13
UG 204 + ER	20	47	43.7	34.2	17	1.5	17.1	4.5	33.3	13.5	M 6 x 0.75	1310	635	0.21
UG 205 + ER	25	52	44.4	34.9	17	1.5	17.5	4.5	38.1	13.5	M 6 x 0.75	1430	730	0.23
UG 206 + ER	30	62	48.4	36.5	19	1.5	18.3	5.1	44.5	15.9	M 8 x 1	2000	1050	0.37
UG 207 + ER	35	72	51.1	37.6	20	2	18.8	5.8	55.6	17.5	M10 x 1.25	2640	1430	0.6
UG 208 + ER	40	80	56.3	42.8	21	2	21.4	6.2	60.3	18.3	M10 x 1.25	2990	1650	0.76
UG 209 + ER	45	85	56.3	42.8	22	2	21.4	6.5	63.5	18.3	M10 x 1.25	3350	1890	0.79
UG 210 + ER	50	90	62.7	49.2	23	2	24.6	6.5	69.9	18.3	M10 x 1.25	3600	2110	0.91
UG 211 + ER	55	100	71.4	55.5	24	2.5	27.8	7.3	76.2	20.7	M12 x 1.5	4400	2670	1.26
UG 212 + ER	60	110	77.8	61.9	26	2.5	31	7.7	84.2	22.3	M12 x 1.5	5350	3300	1.7

Inch series

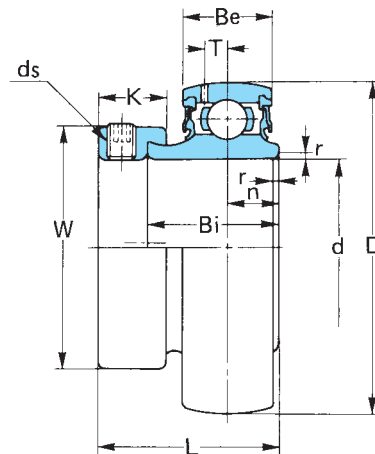
Bearing No.	Dimensions (inch)											Basic Load Rating lbf.		Weight (lb.)	
	d	D	L	Bi	Be	r	n	T	W	K	ds (UNF)	Dynamic C	Static Co		
UG 201-8 + ER	1/2														0.35
UG 202-9 + ER	9/16														0.31
UG 202-10 + ER	5/8	1.5748	1.469	1.094	0.591	0.039	0.547	0.157	1.125	0.531	1/4-28	2150	1010		
UG 203-11 + ER	11/16														0.29
UG 204-12 + ER	3/4	1.8504	1.719	1.344	0.665	0.059	0.682	0.177	1.313	0.531	1/4-28	2890	1400		0.46
UG 205-14 + ER	7/8														0.51
UG 205-15 + ER	15/16	2.0472	1.750	1.375	0.665	0.059	0.688	0.177	1.500	0.531	1/4-28	3150	1610		
UG 205-16 + ER	1														
UG 206-18 + ER	1-1/8														0.82
UG 206-19 + ER	1-3/16	2.4409	1.906	1.438	0.748	0.059	0.719	0.201	1.750	0.625	5/16-24	4410	2310		
UG 206-20 + ER	1-1/4														
UG 207-20 + ER	1-1/4														1.32
UG 207-21 + ER	1-5/16														
UG 207-22 + ER	1-3/8	2.8346	2.016	1.484	0.787	0.079	0.742	0.228	2.188	0.688	3/8-24	5820	3150		
UG 207-23 + ER	1-7/16														
UG 208-24 + ER	1-1/2														1.68
UG 208-25 + ER	1-9/16	3.1496	2.219	1.688	0.827	0.079	0.844	0.244	2.375	0.719	3/8-24	6590	3640		
UG 209-26 + ER	1-5/8														1.74
UG 209-27 + ER	1-11/16	3.3465	2.219	1.688	0.866	0.079	0.844	0.256	2.500	0.719	3/8-24	7390	4170		
UG 209-28 + ER	1-3/4														
UG 210-30 + ER	1-7/8														2.01
UG 210-31 + ER	1-15/16	3.5433	2.469	1.938	0.906	0.079	0.969	0.256	2.750	0.719	3/8-24	7940	4650		
UG 211-32 + ER	2														2.78
UG 211-34 + ER	2-1/8	3.9370	2.813	2.188	0.945	0.098	1.094	0.287	3.000	0.813	7/16-20	9700	5880		
UG 211-35 + ER	2-3/16														
UG 212-36 + ER	2-1/4														3.75
UG 212-38 + ER	2-3/8	4.3307	3.063	2.438	1.024	0.098	1.219	0.303	3.313	0.875	7/16-20	11800	7270		
UG 212-38 + ER	2-7/16														

Ball Bearing

Type

KH 200+ER

(Light Duty)
Eccentric Collar Locking



Metric series

Bearing No. Spherical O.D.	Dimensions mm											Basic Load Rating kgf		Weight kg
	d	D	L	Bi	Be	r	T	n	W	K	ds	Dynamic C	Static Co	
KH 201 AE	12	40	28.6	19.1	12	1	3.6	6.5	28.6	13.5	M 6 x 0.75	975	460	0.12
KH 202 AE	15	40	28.6	19.1	12	1	3.6	6.5	28.6	13.5	M 6 x 0.75	975	460	0.11
KH 203 AE	17	40	28.6	19.1	12	1	3.6	6.5	28.6	13.5	M 6 x 0.75	975	460	0.1
KH 204 AE	20	47	31	21.5	14	1.5	4.1	7.5	33.3	13.5	M 6 x 0.75	1310	635	0.16
KH 205 AE	25	52	31	21.5	15	1.5	4.1	7.5	38.1	13.5	M 6 x 0.75	1430	730	0.2
KH 206 AE	30	62	35.7	23.8	16	1.5	4.9	9	44.5	15.9	M 8 x 1	2000	1050	0.31
KH 207 AE	35	72	38.9	25.4	17	2	5.4	9.5	55.6	17.5	M10 x 1.25	2640	1430	0.49
KH 208 AE	40	80	43.7	30.2	18	2	5.9	11	60.3	18.3	M10 x 1.25	2990	1650	0.62
KH 209 AE	45	85	43.7	30.2	19	2	6.2	11	63.5	18.3	M10 x 1.25	3350	1890	0.65
KH 210 AE	50	90	43.7	30.2	20	2	6.5	11	69.9	18.3	M10 x 1.25	3600	2110	0.75
KH 211 AE	55	100	48.4	32.5	21	2.5	7	12	76.2	20.7	M12 x 1.5	4400	2670	0.94

Inch series

Bearing No. Spherical O.D.	Dimensions (inch)											Basic Load Rating lbf.		Weight (lb.)	
	d	D	L	Bi	Be	r	T	n	W	K	ds (UNF)	Dynamic C	Static Co		
KH 201-8 AE	1/2														0.26
KH 202-9 AE	9/16	1.5748	1.125	0.752	0.472	0.039	0.142	0.256	1.125	0.531	1/4-28	2150	1010	0.24	
KH 202-10 AE	5/8														0.22
KH 203-11 AE	11/16														0.22
KH 204-12 AE	3/4	1.8504	1.219	0.846	0.551	0.059	0.161	0.295	1.313	0.531	1/4-28	2890	1400	0.35	
KH 205-14 AE	7/8														0.44
KH 205-15 AE	15/16	2.0472	1.219	0.846	0.591	0.059	0.161	0.295	1.500	0.531	1/4-28	3150	1610	0.44	
KH 205-16 AE	1														0.44
KH 206-18 AE	1-1/8														0.68
KH 206-19 AE	1-3/16	2.4409	1.406	0.938	0.630	0.059	0.193	0.354	1.750	0.625	5/16-24	4410	2310	0.68	
KH 206-20 AE															0.68
KH 207-20 AE	1-1/4														1.08
KH 207-21 AE	1-5/16	2.8346	1.531	1.000	0.669	0.079	0.213	0.374	2.188	0.688	3/8-24	5820	3150	1.08	
KH 207-22 AE	1-3/8														1.08
KH 207-23 AE	1-7/16														1.08
KH 208-24 AE	1-1/2	3.1496	1.719	1.188	0.709	0.079	0.232	0.433	2.375	0.719	3/8-24	6590	3640	1.37	
KH 208-25 AE	1-9/16														1.37
KH 209-26 AE	1-5/8														1.43
KH 209-27 AE	1-11/16	3.3465	1.719	1.188	0.748	0.079	0.244	0.433	2.500	0.719	3/8-24	7390	4170	1.43	
KH 209-28 AE	1-3/4														1.43
KH 210-30 AE	1-7/8	3.5433	1.719	1.188	0.787	0.079	0.256	0.433	2.750	0.719	3/8-24	7940	4650	1.65	
KH 210-31 AE	1-15/16														1.65
KH 211-32 AE	2	3.9370	1.906	1.281	0.827	0.098	0.276	0.472	3.000	0.813	7/16-20	9700	5880	2.07	
KH 211-34 AE	2-1/8														2.07
KH 211-35 AE	2-3/16														2.07

Load Rating Data

The following tables show Bearing Load Ratings at various rpm based on 500 hours minimum life – 2,500 hours average life.

Light, Normal and Medium duty type

Bearing No.					Radial load rating at various rpm														rpm
UC 200 UK 200	UC X00 UK X00	B	UG 200	KH 200	33-1/3	50	100	250	500	750	1000	1200	1500	2000	2400	3600	5000		
201~204	—	4	204	204	1310 (2890)	1150 (2520)	910 (2000)	670 (1480)	530 (1170)	645 (1020)	420 (930)	395 (875)	370 (810)	335 (740)	315 (695)	275 (605)	245 (545)		
205	—	5	205	205	1430 (3150)	1250 (2750)	990 (2190)	730 (1610)	580 (1280)	505 (1120)	460 (1020)	435 (955)	400 (885)	365 (805)	345 (760)	300 (660)	270 (595)		
206	X05	6	206	206	2000 (4410)	1750 (3850)	1390 (3060)	1020 (2250)	810 (1790)	710 (1560)	645 (1420)	605 (1340)	560 (1240)	510 (1130)	480 (1060)	420 (925)	375 (830)		
207	X06	7	207	207	2640 (5820)	2310 (5090)	1830 (4040)	1350 (2970)	1070 (2360)	935 (2060)	850 (1870)	800 (1760)	740 (1640)	675 (1490)	635 (1400)	555 (1220)	—		
208	X07	—	208	208	2990 (6590)	2610 (5760)	2070 (4570)	1530 (3370)	1210 (2670)	1060 (2340)	960 (2120)	905 (2000)	840 (1850)	765 (1680)	720 (1590)	630 (1380)	—		
209	X08	—	209	209	3350 (7390)	2930 (6450)	2320 (5120)	1710 (3770)	1360 (3000)	1190 (2620)	1080 (2380)	1010 (2240)	940 (2080)	855 (1890)	805 (1780)	705 (1550)	—		
210	X09	—	210	210	3600 (7940)	3150 (6930)	2500 (5500)	1840 (4060)	1460 (3220)	1280 (2810)	1160 (2550)	1090 (2400)	1010 (2230)	920 (2030)	865 (1910)	755 (1670)	—		
211	X10	—	—	211	4400 (9700)	3840 (8480)	3050 (6730)	2250 (4960)	1780 (3930)	1560 (3440)	1420 (3120)	1330 (2940)	1240 (2730)	1120 (2080)	1060 (2330)	—	—		
212	X11	—	—	—	5350 (11800)	4670 (10300)	3710 (8180)	2730 (6030)	2170 (4780)	1900 (4180)	1720 (3800)	1620 (3570)	1500 (3320)	1370 (3010)	1290 (2840)	—	—		
213	X12	—	—	—	5850 (12900)	5110 (11300)	4060 (8940)	2990 (6590)	2370 (5230)	2070 (4570)	1880 (4150)	1770 (3910)	1650 (3630)	1490 (3300)	1410 (3100)	—	—		
214	X13	—	—	—	6350 (14000)	5550 (12200)	4400 (9710)	3240 (7150)	2580 (5680)	2250 (4960)	2040 (4510)	1920 (4240)	1790 (3940)	1620 (3580)	1530 (3370)	—	—		
215	X14	—	—	—	6750 (14900)	5900 (13000)	4680 (10300)	3450 (7600)	2740 (6040)	2390 (5270)	2170 (4790)	2040 (4510)	1900 (4180)	1720 (3800)	1620 (3580)	—	—		
216	X15	—	—	—	7400 (16300)	6460 (14300)	5130 (11300)	3780 (8340)	3000 (6620)	2620 (5780)	2380 (5250)	2240 (4940)	2080 (4590)	1890 (4170)	—	—	—		
217	X16	—	—	—	8500 (18700)	7430 (16400)	5890 (13000)	4340 (9570)	3450 (7600)	3010 (6640)	2740 (6030)	2570 (5680)	2390 (5270)	2170 (4790)	—	—	—		
218	X17	—	—	—	9750 (21500)	8520 (18800)	6760 (14900)	4980 (11000)	3950 (8720)	3450 (7620)	3140 (6920)	2950 (6510)	2740 (6040)	2490 (5490)	—	—	—		
—	X18	—	—	—	11100 (24500)	9700 (21400)	7700 (17000)	5670 (12500)	4500 (9920)	3930 (8670)	3570 (7880)	3360 (7410)	3120 (6880)	—	—	—	—		
—	X20	—	—	—	13700 (30200)	12000 (26400)	9500 (20900)	7000 (15400)	5560 (12200)	4850 (10700)	4410 (9720)	4150 (2150)	3850 (8490)	—	—	—	—		

Note: Radial load rating of SER 200 Series is same as UC 200 Series.

Heavy duty type

Bearing No.		Radial load rating at various rpm													rpm
UC 300	UK 300	33-1/3	50	100	250	500	750	1000	1200	1500	2000	2400	3600	5000	
305	305	2170 (4780)	1900 (4180)	1500 (3320)	1110 (2440)	880 (1940)	770 (1700)	700 (1540)	655 (1450)	610 (1350)	555 (1220)	520 (1150)	455 (1010)	410 (900)	
306	306	2730 (6020)	2390 (5260)	1890 (4170)	1400 (3080)	1110 (2440)	965 (2130)	880 (1940)	825 (1820)	765 (1690)	695 (1540)	655 (1450)	575 (1260)	515 (1130)	
307	307	3400 (7500)	2970 (6550)	2360 (5200)	1740 (3830)	1380 (3040)	1200 (2660)	1090 (2410)	1030 (2270)	955 (2110)	870 (1920)	815 (1800)	715 (1570)		
308	308	4150 (9150)	3630 (7990)	2880 (6340)	2120 (4670)	1680 (3710)	1470 (3240)	1340 (2950)	1260 (2770)	1170 (2570)	1060 (2340)	995 (2200)	870 (1920)		
309	309	5250 (11570)	4590 (10100)	3640 (8030)	2680 (5910)	2130 (4690)	1860 (4100)	1690 (3730)	1590 (3510)	1480 (3250)	1340 (2960)	1260 (2780)	1100 (2430)		
310	310	6300 (13900)	5500 (12100)	4370 (9630)	3220 (7100)	2550 (5630)	2230 (4920)	2030 (4470)	1910 (4210)	1770 (3910)	1610 (3550)	1510 (3340)			
311	311	7300 (16100)	6380 (14100)	5060 (11200)	3730 (8220)	2960 (6530)	2590 (5700)	2350 (5180)	2210 (4870)	2050 (4530)	1870 (4110)	1760 (3870)			
312	312	8300 (18300)	7250 (16000)	5750 (12700)	4240 (9350)	3370 (7420)	2940 (6480)	2670 (5890)	2510 (5540)	2330 (5150)	2120 (4670)	2000 (4400)			
313	313	9450 (20800)	8260 (18200)	6550 (14400)	4830 (10600)	3830 (8450)	3350 (7380)	3040 (6710)	2860 (6310)	2660 (5860)	2410 (5320)	2270 (5010)			
314	314	10600 (23400)	9260 (20400)	7350 (16200)	5420 (11940)	4300 (9480)	3750 (8280)	3400 (7520)	3210 (7080)	2980 (6580)	2710 (5970)	2550 (5620)			
315	315	11600 (25600)	10100 (22300)	8040 (17700)	5930 (13100)	4700 (10400)	4110 (9060)	3730 (8230)	3510 (7750)	3260 (7190)	2960 (6530)				
316	316	12500 (27600)	10900 (24100)	8670 (19100)	6390 (14100)	5070 (11200)	4430 (9760)	4020 (8870)	3790 (8350)	3510 (7750)	3190 (7040)				
317	317	13500 (29800)	11800 (26000)	9360 (20600)	6900 (15200)	5470 (12100)	4780 (10500)	4340 (9580)	4090 (9010)	3800 (8370)	3450 (7600)				
318	318	14600 (32200)	12800 (28100)	10100 (22300)	7460 (16400)	5920 (13100)	5170 (11400)	4700 (10400)	4420 (9750)	4100 (9050)					
319	319	15600 (34400)	13600 (30000)	10800 (23800)	7970 (17600)	6330 (13900)	5530 (12200)	5020 (11100)	4720 (10400)	4390 (9670)					
320	320	17700 (39000)	15460 (34100)	12300 (27100)	9040 (19900)	7180 (15800)	6270 (13800)	5700 (12600)	5360 (11800)	4980 (11000)					
321	321	18700 (41200)	16300 (36000)	13000 (28600)	9550 (21100)	7580 (16720)	6620 (14600)	6020 (13300)	5660 (12500)	5260 (11600)					
322	322	20900 (46100)	18300 (40300)	14500 (32000)	10700 (23500)	8470 (18700)	7400 (16300)	6730 (14800)	6330 (14000)						
324	324	21100 (46500)	18400 (40600)	14600 (32300)	10800 (27800)	8560 (18900)	7470 (16500)	6790 (15000)	6390 (14100)						
326	326	23400 (51600)	20400 (45100)	16200 (35800)	12000 (26400)	9490 (20900)	8290 (18300)	7530 (16600)	7090 (15600)						
328	328	26000 (57300)	22700 (50100)	18000 (39700)	13300 (29300)	10500 (23200)	9210 (20300)	8370 (18400)	7870 (17400)						

Radial load rating in kilograms (Pounds)

Silver series

Bearing No.		Radial load rating at various rpm													rpm						
U000	U 08	000	001	002	003	004	005	006	33-1/3	50	100	250	500	750		1000	1200	1500	2000	2400	3600
U 08		340 (750)	295 (655)	235 (520)	175 (385)	140 (305)	120 (265)	110 (240)	105 (225)	95 (210)	85 (190)	80 (180)	70 (155)	65 (140)							
000		470 (1040)	410 (905)	325 (720)	240 (530)	190 (420)	165 (365)	150 (335)	140 (315)	130 (290)	120 (265)	115 (250)	100 (220)	90 (195)							
001		520 (1150)	455 (1000)	360 (795)	265 (585)	210 (465)	185 (405)	165 (370)	155 (345)	145 (320)	135 (295)	125 (275)	110 (240)	100 (215)							
002		570 (1260)	500 (1100)	395 (870)	290 (640)	230 (510)	200 (445)	185 (405)	175 (380)	160 (355)	145 (320)	135 (300)	120 (265)	105 (235)							
003		610 (1340)	535 (1180)	425 (935)	310 (685)	245 (545)	215 (475)	195 (435)	185 (405)	170 (380)	155 (345)	145 (325)	130 (280)	115 (255)							
004		955 (2110)	835 (1840)	660 (1460)	690 (1080)	385 (855)	340 (745)	305 (680)	290 (640)	270 (590)	245 (540)	230 (505)	200 (440)	180 (395)							
005		1030 (2270)	900 (1980)	715 (1580)	525 (1150)	420 (920)	365 (805)	330 (730)	310 (690)	290 (640)	265 (580)	250 (545)	215 (475)	195 (425)							
006		1350 (2980)	1180 (2600)	935 (2060)	690 (1520)	545 (1210)	480 (1050)	435 (960)	410 (900)	380 (835)	345 (760)	325 (715)	285 (625)	255 (560)							

Radial load rating in kilograms (Pounds)

Dimensional Interchange Chart

Bearing Units

Type	NACHI	FAFNIR (USA)	SEAL-MASTER (USA)	SKF (USA)	LINK-BELT (USA)
Cast Iron Housing Pillow Blocks	UCP 200, UKP 200+H, UGP 200, BP 200	RAS, LAS	NP	SY, SYP	P3-Y200N
	UCLP 200, FGAK 200	RAK, LAK	S-500-M	SYH-X	PL3-Y200N
	UCP X00, UKP X00+H	RAKH, LAKH	MP		
	UCEP 200	RAKHL, LAKHL	EMP		
	BLLP	PSD, RSD	LP		P-W 200U
Cast Iron Housing Square Flange Units	UCF 200, UKF 200+H, UGF 200, BF 200, UCLF 200,	RCJ, LCJ	SF	FY, FYP, FY-X	F3-Y200N
	UCF X00, UKF X00+H	RCJO, LCJO	MSF		
Cast Iron Housing Flange Units with Spigot-Joint	UCFC 200, UKFC 200+H, UGFC 200, BFC 200				
	UCF X00, UKFC X00+H	RFC	MFC		FC3-Y200N
Cast Iron Housing Two-Bolt Flange Units	UCFL 200, UKFL 200+H, UGFL 200, BFL 200, UCFT 200,	FCJT, LCJT	SFT		FX3-Y200N
	UCFL X00, UKFL X00+H		MSFT		
	BLFL	PFTD, RFTD	LFT		FX-W200U
Cast Iron Housing Take-Up Units	UCT 200, UKT 200+H, UGT 200, BT 200				
	UCST 200	RTU, LTU	ST	TB, TBP, TBX	TH3-Y200N
	UCT X00, UKT X00+H				
Cast Iron Housing Cartridge Units	UCC 200, UKC 200+H, UGC 200, BC 200				
	UCLC 200	RC, LC	SC		
	UCC X00, UKC X00+H				
Hanger Bearing Units	UCECH 200		SEHB		
Rubber Housing Pillow Blocks	UCRP 200	RS, BRG			
Pressed Steel Housing Bearing Units	BPP	PB	SSP	SP	
	BPF	RA, RR	SSF	F (Stamping)	MSC1 (Stamping)
	BPFL	RAT, RRT	SSFT	FT (Stamping)	MST (Stamping)
	BPFT	RATR, RRTR	TSSF		MSTR (Stamping)
Rubber Cushioned Pillow Blocks	BPR	RPB	LRP	SRP	
Malleable Housing Bearing Units	BPW 200	PSD, RSD	LP		P-W200U
	BFX200	PFTD, RFTD	LFT		FX-W200U
Rubber Cartridge Units	BRCAS	RCSM	SRC		
	BRCBS	RCR			

Bearing for Units

Type	NACHI		FAFNIR (USA)	SEAL-MASTER (USA)	SKF (USA)	LINK-BELT (USA)
	Shaft locking	Design feature				
UC(UCW) 200	Set-screw	Relubricatable Double sealing by rubber seal and steel slinger	G-KRRB G-KLLB	2-00	477200	YG200N
UK 200+H	Adapter sleeve					
UG 200+EE	Eccentric locking collar					
FG 200+ER		Relubricatable Metal shrouding seal				
B	Set-screw	Non-relubricatable Steel backed rubber seal	RA-NPPB	L-00	478200	W200U
UH 200+ER	Eccentric locking collar					
FH 200+ER						
UC X00	Set-screw	Relubricatable Double sealing by rubber seal and steel slinger	GN-KRRB GN-KLLB	3-00		U300D
UK X00+H	Adapter sleeve					
UC 300	Set-screw					
UK 300+H	Adapter sleeve					
SER 200	Set-screw					

Remarks:

1. This chart is compiled for general reference only in regard to dimensional interchangeability of NACHI Bearing Units and Bearings for Units with other makes.

Therefore, type of shaft locking and sealing principle as well as material of housing shall be checked upon specific type as is required.

2. There are some series in which some sizes are interchangeable with same size of other makes and some not. It is recommended to consult us before deciding

	INA (GERMANY)	RHP (U.K.)	NTN (JAPAN)	KOYO (JAPAN)	NSK (JAPAN)	FYH (JAPAN)
	RASE, RASES PASE	NP	UCP 200, UK 200 UJELP 200	UCP 200, UKP 200 GAP 1100B	UCP 200, UKP 200 EWP 200	UCP 200, UKP 200 NAP 200
		SL	UCPL 200	SLP 200	UCPLL 200, EWPLL200	SL 200
		MP	UCP X00		UCP X00	UCP X00
			ASPB 2		(UCEP 200) UBLP 200	UCPE 200 BLP 200
	RCJ, RCJS, PCF	SF, SLF	UCF 200	UCF 200 GFF 1100	UCF 200 EWFH 200	UCF 200 SLF 200
		MSF	UCF X00	UCF X00	UCF X00	UCF X00
			UCFC 200	UCFC 200	UCFC 200	UCFC 200
		MFC	UCFC X00	UCFC X00	UCFC X00	UCFC X00
	RCJT, RCJTS, PCFT	SFT	UCFL 200	UCFL 200 UCFL 1100	UCFL 200 EWFLH 200	UCFL 200
		MSFT	UCFL X00 ASFB 2	UCFL X00	UCFL X00 UBLF 200	UCFL X00 BLF 200
	RTUE, RTUES		UCT 200	UCT 200	UCT 200	UCT 200
		ST		LV 200		UCTS 200
			UCT X00	UCT X00	UCT X00	UCT X00
			UCC 200	UCC 200	UCC 200	UCC 200
		SLC	UCC X00	UCC X00	UCC X00	UCC X00
		SCHB	UCHB 200	(SCHB 200)	UCEH 200 UCRP 200	UCHA 200
	PB	LPB	ASPP 200	SP	UBPP 200	SBPP 200F
	RA, RR	SLFE	ASPF 2	PF	UBPF 200	SBPF 200
	RAT, RRT	SLFL	ASPFL 200	PFT	UBPFL 200	SBPFL 200
	RATR, RRTR				UBPFT 200	
	RPB	LPBR		(PR)	UBPPR 200	
	RCSM	SRC				
	RCR					

	INA (GERMANY)	RHP (U.K.)	NTN (JAPAN)	KOYO (JAPAN)	NSK (JAPAN)	FYH (JAPAN)
	GE-KRRB GSE-KRRB GE-KLLB	1000G	UC 200	UC 200	UC 200	UC 200
			UK 200+H	UK 200+H	UK 200+H	UK 200+H
			UEL 200	1100	EW 200	NA 200
	RAE-NPPB		AS 200	(PB)	(UB 200)	SB 200
			AEL 200	RA 100	EN 200	SA 200
			UC X00	UC X00	UC X00	UC X00
			UK X00+H	UK X00+H	UK X00+H	UK X00+H
			UC 300	UC 300	UC 300	UC 300
			UK 300+H	UK 300+H	UK 300+H	UK 300+H
						(ER 200)

interchangeability.

3. Though not listed in this chart, Heavy Duty Series (Diameter Series 3) are available in housing configurations of

P, F, FS, FL, T and C as NACHI standard types. For details of specification, refer to NACHI Catalogs.

NACHI-FUJIKOSHI CORP.

URL: <http://www.nachi-fujikoshi.co.jp>

Tokyo Head Office : Shiodome Sumitomo Bldg. 17F 1-9-2 Higashi-shinbashi, Minato-ku, Tokyo 105-0021, JAPAN
Tel: +81-(0)3-5568-5111 Fax: +81-(0)3-5568-5206

Toyama Head Office : 1-1-1 Fujikoshi-Honmachi, Toyama 930-8511, JAPAN Tel: +81-(0)76-423-5111 Fax: +81-(0)76-493-5211

Overseas Companies

AMERICA

Sales

● **NACHI AMERICA INC. HEADQUARTERS**
715 Pushville Road, Greenwood, Indiana, 46143, U.S.A.
Tel: +1-317-530-1002 Fax: +1-317-530-1012
URL: <http://www.nachiamerica.com/>

WEST COAST BRANCH
12652 E. Alondra Blvd. Cerritos, California, 90703, U.S.A.
Tel: +1-562-802-0055 Fax: +1-562-802-2455

MIAMI BRANCH - LATIN AMERICA DIV.
2315 N.W. 107th Ave., Doral, Florida, 33172, U.S.A.
Tel: +1-305-591-0054/0059/2604
Fax: +1-305-591-3110

● **NACHI ROBOTIC SYSTEMS INC.**
22285 Roethel Drive, Novi, Michigan, 48375, U.S.A.
Tel: +1-248-305-6545 Fax: +1-248-305-6542
URL: <http://www.nachirobotics.com/>

● **NACHI CANADA INC.**
89 Courtland Ave., Unit 2, Concord, Ontario, L4K 3T4, CANADA
Tel: +1-905-660-0088 Fax: +1-905-660-1146
URL: <http://www.nachicanada.com/>

● **NACHI MEXICANA, S.A. DE C.V.**
Urbina No. 54, Parque Industrial Naucalpan, Naucalpan de Juarez, Estado de Mexico, C.P. 53370, MEXICO
Tel: +52-55-3604-0832 / 0842 / 0881
Fax: +52-55-3604-0882

NACHI MEXICANA ENGINEERING CENTER
1171A, Calle Julio Diaz Torre, Fracc. Ciudad Industrial, Aguascalientes, C.P. 20290, MEXICO
Tel: +52-449-971-1689 Fax: +52-449-971-1689

Manufacturing

● **NACHI TECHNOLOGY INC.**
713 Pushville Road, Greenwood, Indiana, 46143, U.S.A.
Tel: +1-317-535-5000 Fax: +1-317-535-8484
URL: <http://nachtech.com/>

● **NACHI TOOL AMERICA INC.**
717 Pushville Road, Greenwood, Indiana, 46143, U.S.A.
Tel: +1-317-535-0320 Fax: +1-317-535-0983

● **NACHI BRASIL LTDA.**
Avenida João XXIII, No.2330, Jardim São Pedro, Mogi das Cruzes, S.P., BRASIL, CEP 08830-000
Tel: +55-11-4793-8800 Fax: +55-11-4793-8870
URL: <http://www.nachi.com.br/>

SAO PAULO BRANCH
Av. Paulista, 453, Primeiro Andar, Conj. 11, 12, 12 e 14, Cerqueira Cesar, Sao Paulo - SP, CEP: 01311-000, BRASIL
Tel: +55-11-3284-9844 Fax: +55-11-3284-1751

EUROPE

Sales

● **NACHI EUROPE GmbH**
Bischofstrasse 99, 47809, Krefeld, GERMANY
Tel: +49-(0)2151-65046-0
Fax: +49-(0)2151-65046-90
URL: <http://www.nachi.de/>

SOUTH GERMANY OFFICE
Pleidelsheimer Strasse 47, 74321, Bietigheim-Bissingen
Tel: +49-(0)7142-77418-0
Fax: +49-(0)7142-77418-20

SPAIN BRANCH
P.I. EL MONTALVO III C/Segunda, 6. Portal 1-2ª, Oficina 5 37188-Carabajosa de La Sagrada Salamanca- España
Tel: +34-(0)923-197-837
Fax: +34-(0)923-197-758

CZECH BRANCH
Sezemicka 2757/2, Praha 9 193 00, Horni Pocerlice VGP Park - Building A1, CZECH
Tel: +420-255-734-000 Fax: +420-255-734-001

U.K. BRANCH

Unit 3, 92, Kettles Wood Drive Woodgate Business Park, BIRMINGHAM B32 3DB, U.K.
Tel: +44-(0)121-423-5000
Fax: +44-(0)121-421-7520

TURKEY OFFICE

Karaman Ciftligi Mevkii, Agaoglu My Prestige, K:13, D:110, 34746, Atasehir, Istanbul, TURKEY
Tel: +90-(0)216-688-4457 Fax: +90-(0)216-688-4458

Manufacturing

● **NACHI CZECH s.r.o.**
Prumyslova 2732, 440 01 Louny, CZECH
Tel: +420-415-930-930 Fax: +420-415-930-940

ASIA and OCEANIA

Sales

● **NACHI SINGAPORE PTE. LTD.**
No.2 Joo Koon Way, Jurong Town, Singapore 628943, SINGAPORE
Tel: +65-65587393 Fax: +65-65587371

VIETNAM REPRESENTATIVE OFFICE, HO CHI MINH
4FL, Yoco Bld., 41 Nguyen Thi Minh Khai St., Dist.1, Ho Chi Minh, VIETNAM
Tel: +84-8-3822-3919 Fax: +84-8-3822-3918

VIETNAM REPRESENTATIVE OFFICE, HANOI
5B Fl., Noza Bld., 243 Cau Giay St., Cau Giay Dist., Hanoi, VIETNAM
Tel: +84-4-3767-8605 Fax: +84-4-3767-8604

● **FUJIKOSHI-NACHI (MALAYSIA) SDN. BHD.**
No.17, Jalan USJ 21/3, 47630 UEP Subang Jaya, Selangor Darul Ehsan, MALAYSIA
Tel: +60-(0)3-80247900 Fax: +60-(0)3-80235884

● **PT.NACHI INDONESIA**
Jl.H.R.Rasuna Said Kav.X-0 Kuningan, Jakarta 12950, INDONESIA
Tel: +62-021-527-2841 Fax: +62-021-527-3029

● **NACHI KG TECHNOLOGY INDIA PVT. GURGAON HEAD OFFICE**
Unit No.207, Sewa Corporate Park, MG Road, Iffco Chowk, Gurgaon-122001, INDIA
Tel: +91-124-450-2900 Fax: +91-124-450-2910

BANGALORE OFFICE
F-11 Asha Chamber, No.2, Venkata Swami Raju Road, Kumara Park West, Bangaore-560020, INDIA

● **那智不二越(上海)贸易有限公司 NACHI (SHANGHAI) CO.,LTD.**
11F Royal Wealth Center, No.7 Lane 98 Danba Road, Putuo District, Shanghai, 200062, CHINA
Tel: +86-(0)21-6915-2200
Fax: +86-(0)21-6915-5427

重庆分公司 CHONGQING BRANCH
Room 17-18/17-19, Tower C, Hongding Guoji Mingyuan, Jiangbei District, Chongqing 400020, CHINA
Tel: +86-(0)23-8816-1967
Fax: +86-(0)23-8816-1968

沈阳分公司 SHENYANG BRANCH
Room 304, No.1 Yuebin Street, Shenhe District, Shenyang 110000, CHINA
Tel: +86-(0)24-3120-2252
Fax: +86-(0)24-2250-5316

北京分公司 BEIJING BRANCH
Room 1110, Kuntai International Mansion, Building O, Yi No.12 Chao Wai Street, Chao yang District, Beijing 100020, CHINA
Tel: +86-(0)10-5879-0181
Fax: +86-(0)10-5879-0182

● **NACHI-FUJIKOSHI CORP. TAIPEI REPRESENTATIVE OFFICE**
No.109, Kao Young North Rd, Lung-Tan Hsin, Tao-Yuan Hsien, TAIWAN
Tel: +886-(0)3-411-7776
Fax: +886-(0)3-471-8402

● **NACHI-FUJIKOSHI CORP. KOREA REPRESENTATIVE OFFICE**
3F A-Youn Digital Tower 314-37, Seongsu-dong 2-ga, Seongdong-gu, Seoul 133-120, KOREA
Tel: +82-(0)2-469-2254 Fax: +82-(0)2-469-2264

● **NACHI (AUSTRALIA) PTY. LTD.**
Unit 1, 23-29 South Street, Rydalmere, N.S.W, 2116, AUSTRALIA
Tel: +61-(0)2-9898-1511 Fax: +61-(0)2-9898-1678
URL: <http://www.nachi.com.au/>

Manufacturing

● **NACHI TECHNOLOGY (THAILAND) CO., LTD.**
5/5 M, 2, Rojana Industrial Estate Nongbua, Ban Khai, Rayong, 21120, THAILAND
Tel: +66-38-961-682 Fax: +66-38-961-683

BANGKOK SALES OFFICE
Unit 23/109(A), Fl.24th Sorachai Bldg., 23 Sukhumvit 63 Road(Ekamai), Klongtonnua, Wattana, Bangkok 10110, THAILAND
Tel: +66-2-714-0008 Fax: +66-2-714-0740

● **NACHI INDUSTRIES PTE. LTD.**
No.2 Joo Koon Way, Jurong Town, Singapore 628943, SINGAPORE
Tel: +65-68613944 Fax: +65-68611153
URL: <http://www.nachinip.com.sg/>

● **NACHI PILIPINAS INDUSTRIES, INC.**
1st Avenue, Manalac Compound, Sta. Maria Industrial Estate, Bagumbayan, Taguig, Metro Manila, PHILIPPINES
Tel: +63-(0)2-838-3620 Fax: +63-(0)2-838-3623

● **NACHI KG TECHNOLOGY INDIA PVT. NEEMRANA PLANT**
Plot No. SP2-86, RIICO Industrial Area, Neemrana 301705, Distt. Alwar, Rajasthan, INDIA

● **NACHI MOTHERSON PRECISION LTD.**
179, Sector4, IMT Manesar, District Gurgaon-122050, Haryana, INDIA
Tel: +91-124-4936-000 Fax: +91-124-4936-022

● **NACHI MOTHERSON TOOL TECHNOLOGY LTD.**
D-59-60, Sector-6, Noida-201301, Distt. Gautam Budh Nagar, U.P. INDIA
Tel: +91-120-425-8372 Fax: +91-120-425-8374

● **那智不二越(江苏)精密机械有限公司 NACHI (JIANGSU) INDUSTRIES CO., LTD.**
39 Nanyuan Road, Economic and Technological Development Zone (south), Zhangjiagang, Jiangsu, 215618, CHINA
Tel: +86-(0)512-3500-7616
Fax: +86-(0)512-3500-7615

● **东莞建越精密轴承有限公司 DONGGUAN NACHI C.Y. CORPORATION**
Dangyong Village, Hongmei Town Dongguan City, Guangdong, CHINA
Tel: +86-(0)769-8843-1300
Fax: +86-(0)769-8843-1330

● **上海不二越精密轴承有限公司 SHANGHAI NACHI BEARINGS CO.,LTD.**
Yitong Industry Zone 258, Fengmao Rd. Malu Town, Jiading, Shanghai 201801, CHINA
Tel: +86-(0)21-6915-6200 Fax: +86-(0)21-6915-6202

● **建越工業股份有限公司 NACHI C.Y. CORP.**
No.109, Kao Young North Rd, Lung-Tan Hsin, Tao-Yuan Hsien, TAIWAN
Tel: +886-(0)3-471-7651 Fax: +886-(0)3-471-8402

CATALOG NO.

B5012E-2

2013.06.Y-ABE-ABE